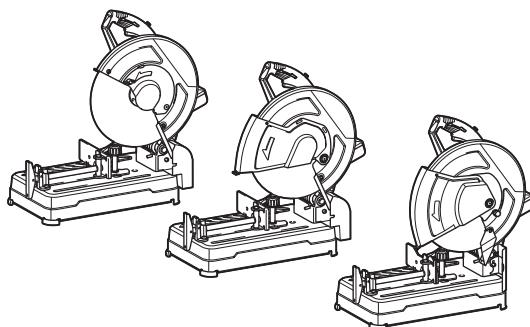




EN	Cordless Portable Cut-off	INSTRUCTION MANUAL	6
SV	Trådlös portabel kapmaskin	BRUKSANVISNING	13
NO	Batteridrevet bærbar kappsag	BRUKSANVISNING	20
FI	Akkukäyttöinen katkaisusaha	KÄYTTÖOHJE	27
LV	Bezvadu pārnēsājams zāģis metāla zāģēšanai	LIETOŠANAS INSTRUKCIJA	34
LT	Belaidis nešiojamasis nupjovimo įrenginys	NAUDOJIMO INSTRUKCIJA	42
ET	Juhtmeta portatiivne lõikesaag	KASUTUSJUHEND	49
RU	Акумуляторная Портативная Отрезная Пила	РУКОВОДСТВО ПО ЭКСПЛУАТАЦИИ	56

DLW140



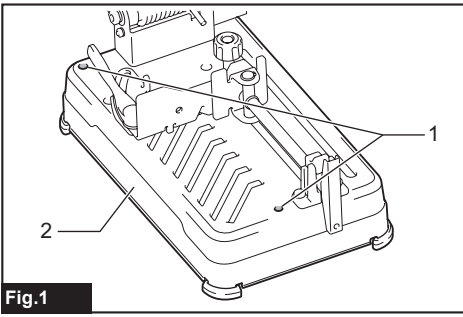


Fig.1

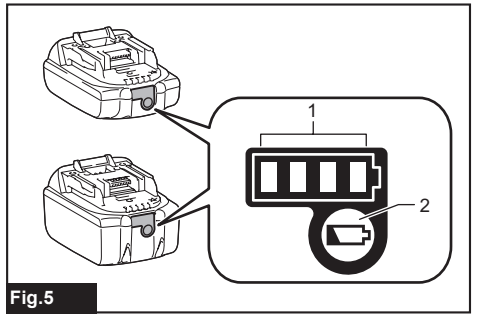


Fig.5

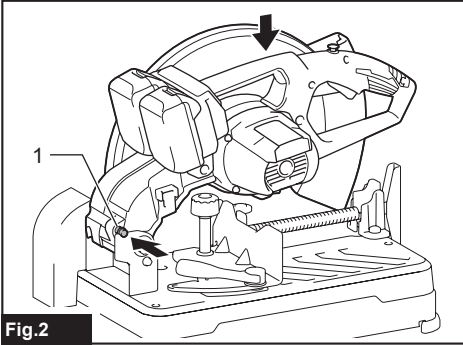


Fig.2

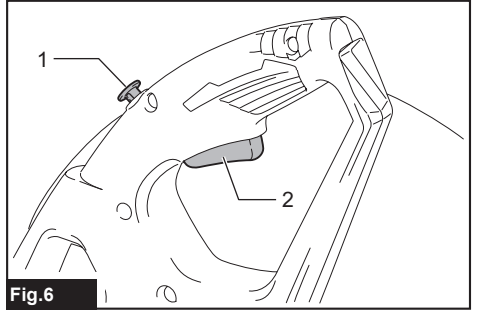


Fig.6

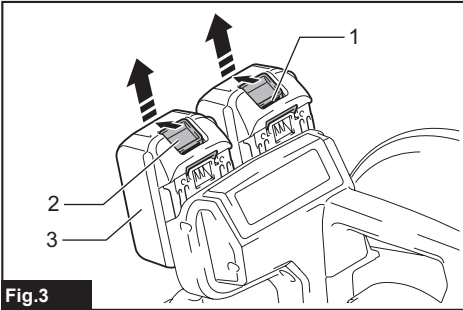


Fig.3

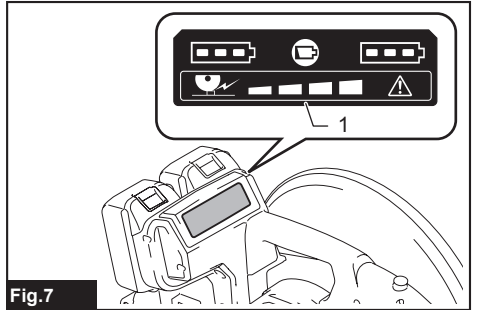


Fig.7

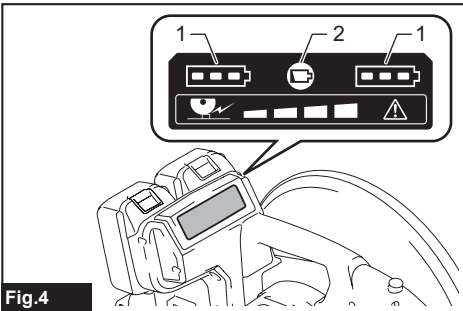


Fig.4

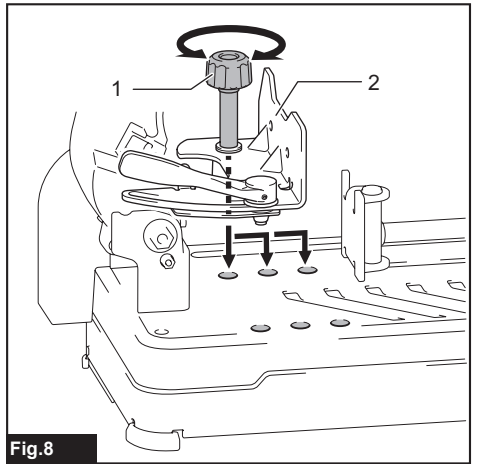
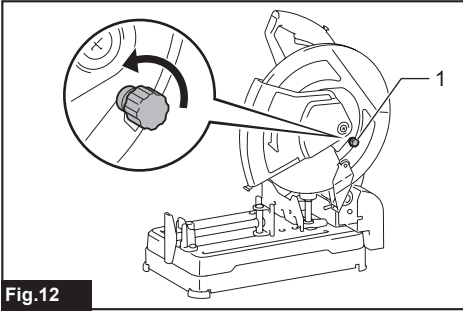
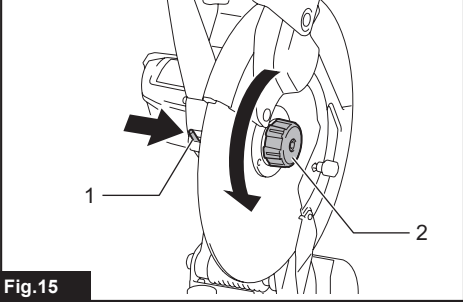
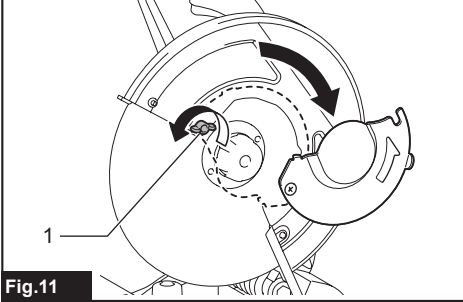
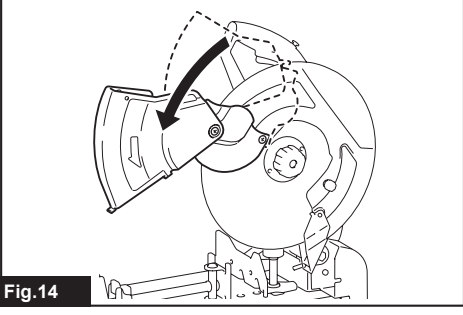
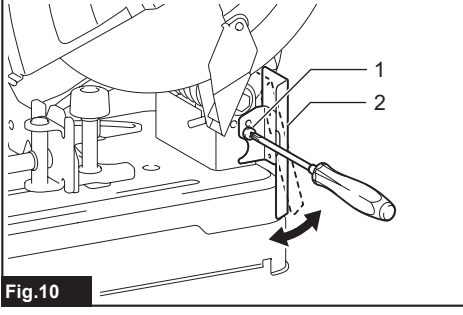
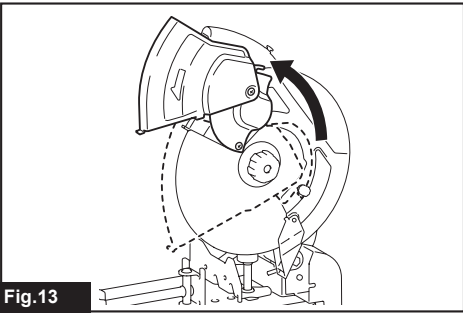
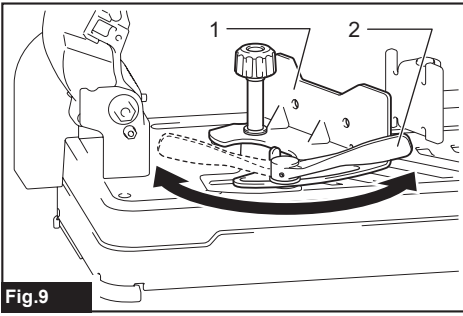


Fig.8



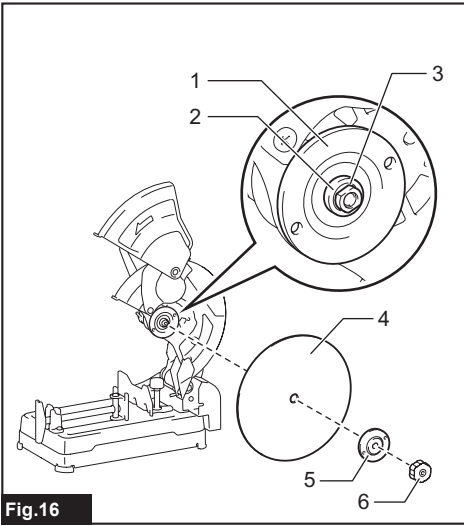


Fig. 16

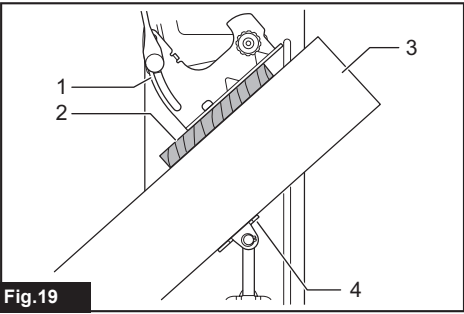


Fig. 19

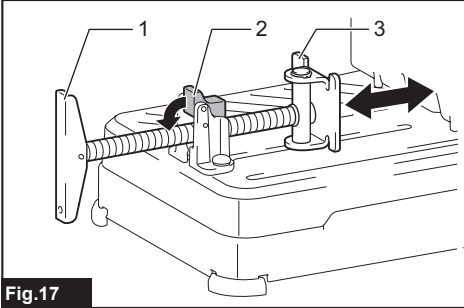


Fig. 17

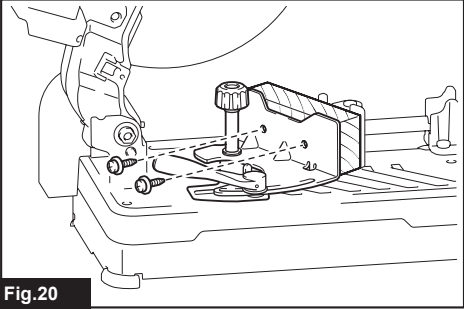


Fig. 20

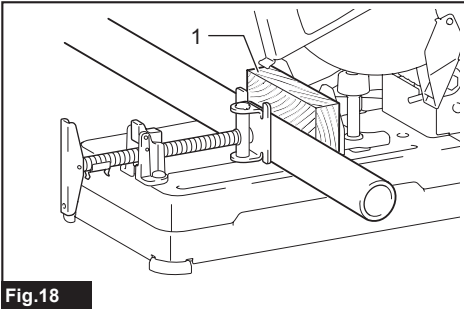


Fig. 18

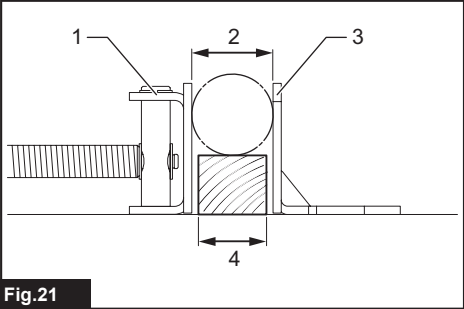


Fig. 21

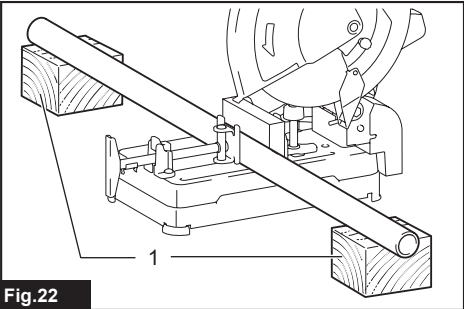


Fig. 22

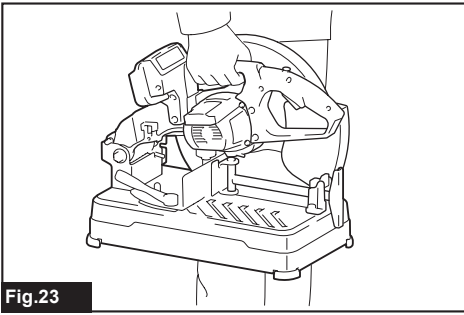


Fig.23

SPECIFICATIONS

Model:		DLW140
Wheel diameter		355 mm
Hole diameter		25.4 mm
Max. wheel thickness		3 mm
No load speed		3,800 min ⁻¹
Rated voltage		D.C. 36 V
Dimensions (L x W x H)	With European type safety guard	537 mm x 290 mm x 640 mm
	With safety guard other than European type	537 mm x 280 mm x 640 mm
	With center cap type safety guard	537 mm x 280 mm x 640 mm
Net weight	With European type safety guard	17.2 - 17.8 kg
	With safety guard other than European type	15.6 - 16.3 kg
	With center cap type safety guard	15.4 - 16.0 kg

- Due to our continuing program of research and development, the specifications herein are subject to change without notice.
- Specifications may differ from country to country.
- The weight may differ depending on the attachment(s), including the battery cartridge. The lightest and heaviest combination, according to EPTA-Procedure 01/2014, are shown in the table.
- The shape and weight vary depending on the specifications which differ country to country.

Applicable battery cartridge and charger

Battery cartridge	BL1815N / BL1820 / BL1820B / BL1830 / BL1830B / BL1840 / BL1840B / BL1850 / BL1850B / BL1860B
Charger	DC18RC / DC18RD / DC18RE / DC18SD / DC18SE / DC18SF

- Some of the battery cartridges and chargers listed above may not be available depending on your region of residence.

⚠ WARNING: Only use the battery cartridges and chargers listed above. Use of any other battery cartridges and chargers may cause injury and/or fire.

Intended use

The tool is intended for cutting in ferrous materials with appropriate abrasive cut-off wheel. Follow all laws and regulations regarding dust and work area health and safety in your country.

Noise

The typical A-weighted noise level determined according to EN62841-3-10:
 Sound pressure level (L_{pA}) : 103 dB(A)
 Sound power level (L_{WA}) : 115 dB (A)
 Uncertainty (K) : 3 dB(A)

⚠ WARNING: Wear ear protection.

Vibration

The vibration total value (tri-axial vector sum) determined according to EN62841-3-10:
 Vibration emission (a_h) : 2.5 m/s²
 Uncertainty (K) : 1.5 m/s²

NOTE: The declared vibration emission value has been measured in accordance with the standard test method and may be used for comparing one tool with another.

NOTE: The declared vibration emission value may also be used in a preliminary assessment of exposure.

⚠ WARNING: The vibration emission during actual use of the power tool can differ from the declared emission value depending on the ways in which the tool is used.

⚠ WARNING: Be sure to identify safety measures to protect the operator that are based on an estimation of exposure in the actual conditions of use (taking account of all parts of the operating cycle such as the times when the tool is switched off and when it is running idle in addition to the trigger time).

EC Declaration of Conformity

For European countries only

The EC declaration of conformity is included as Annex A to this instruction manual.

SAFETY WARNINGS

General power tool safety warnings

▲WARNING: Read all safety warnings, instructions, illustrations and specifications provided with this power tool. Failure to follow all instructions listed below may result in electric shock, fire and/or serious injury.

Save all warnings and instructions for future reference.

The term "power tool" in the warnings refers to your mains-operated (corded) power tool or battery-operated (cordless) power tool.

Cut-off machine safety warnings

1. **Position yourself and bystanders away from the plane of the rotating wheel.** The guard helps to protect the operator from broken wheel fragments and accidental contact with wheel.
2. **Use only bonded reinforced cut-off wheels for your power tool.** Just because an accessory can be attached to your power tool, it does not assure safe operation.
3. **The rated speed of the accessory must be at least equal to the maximum speed marked on the power tool.** Accessories running faster than their rated speed can break and fly apart.
4. **Wheels must be used only for recommended applications.** For example: do not grind with the side of a cut-off wheel. Abrasive cut-off wheels are intended for peripheral grinding, side forces applied to these wheels may cause them to shatter.
5. **Always use undamaged wheel flanges that are of correct diameter for your selected wheel.** Proper wheel flanges support the wheel thus reducing the possibility of wheel breakage.
6. **The outside diameter and the thickness of your accessory must be within the capacity rating of your power tool.** Incorrectly sized accessories cannot be adequately guarded or controlled.
7. **The arbour size of wheels and flanges must properly fit the spindle of the power tool.** Wheels and flanges with arbour holes that do not match the mounting hardware of the power tool will run out of balance, vibrate excessively and may cause loss of control.
8. **Do not use damaged wheels.** Before each use, inspect the wheels for chips and cracks. If the power tool or wheel is dropped, inspect for damage or install an undamaged wheel. After inspecting and installing the wheel, position yourself and bystanders away from the plane of the rotating wheel and run the power tool at maximum no load speed for one minute. Damaged wheels will normally break apart during this test time.
9. **Wear personal protective equipment.** Depending on application, use face shield, safety goggles or safety glasses. As appropriate, wear dust mask, hearing protectors, gloves and shop apron capable of stopping small abrasive or workpiece fragments. The eye protection must be capable of stopping flying debris generated by various operations. The dust mask or respirator must be capable of filtering particles generated by your operation. Prolonged exposure to high intensity noise may cause hearing loss.

10. **Keep bystanders a safe distance away from work area.** Anyone entering the work area must wear personal protective equipment. Fragments of workpiece or of a broken wheel may fly away and cause injury beyond immediate area of operation.
11. **Regularly clean the power tool's air vents.** The motor's fan can draw the dust inside the housing and excessive accumulation of powdered metal may cause electrical hazards.
12. **Do not operate the power tool near flammable materials. Do not operate the power tool while placed on a combustible surface such as wood.** Sparks could ignite these materials.
13. **Do not use accessories that require liquid coolants.** Using water or other liquid coolants may result in electrocution or shock.

Kickback and related warnings

Kickback is a sudden reaction to a pinched or snagged rotating wheel. Pinching or snagging causes rapid stalling of the rotating wheel which in turn causes the uncontrolled cutting unit to be forced upwards toward the operator. For example, if an abrasive wheel is snagged or pinched by the workpiece, the edge of the wheel that is entering into the pinch point can dig into the surface of the material causing the wheel to climb out or kick out. Abrasive wheels may also break under these conditions. Kickback is the result of power tool misuse and/or incorrect operating procedures or conditions and can be avoided by taking proper precautions as given below.

1. **Maintain a firm grip on the power tool and position your body and arm to allow you to resist kickback forces.** The operator can control upward kickback forces, if proper precautions are taken.
2. **Do not position your body in line with the rotating wheel.** If kickback occurs, it will propel the cutting unit upwards toward the operator.
3. **Do not attach a saw chain, woodcarving blade, segmented diamond wheel with a peripheral gap greater than 10 mm or toothed saw blade.** Such blades create frequent kickback and loss of control.
4. **Do not "jam" the wheel or apply excessive pressure. Do not attempt to make an excessive depth of cut.** Overstressing the wheel increases the loading and susceptibility to twisting or binding of the wheel in the cut and the possibility of kickback or wheel breakage.
5. **When the wheel is binding or when interrupting a cut for any reason, switch off the power tool and hold the cutting unit motionless until the wheel comes to a complete stop. Never attempt to remove the wheel from the cut while the wheel is in motion otherwise kickback may occur.** Investigate and take corrective action to eliminate the cause of wheel binding.
6. **Do not restart the cutting operation in the workpiece. Let the wheel reach full speed and carefully re-enter the cut.** The wheel may bind, walk up or kickback if the power tool is restarted in the workpiece.
7. **Support any oversized workpiece to minimize the risk of wheel pinching and kickback.** Large workpieces tend to sag under their own weight. Supports must be placed under the workpiece near the line of cut and near the edge of the workpiece on both sides of the wheel.

Additional safety warnings

1. **Watch out for flying sparks when operating.** They can cause injury or ignite combustible materials.
2. **Secure work. Use clamps or a vise to hold work when practical.** It's safer than using your hand and it frees both hands to operate tool.
3. **Secure the cut-off wheel carefully.**
4. **Be careful not to damage the spindle, flanges (especially the installing surface) or bolt, or the cut-off wheel itself might break.**
5. **Keep guards in place and in working order.**
6. **Hold the handle firmly.**
7. **Keep hands away from rotating parts.**
8. **Make sure the cut-off wheel is not contacting the work-piece before the switch is turned on.**
9. **Before each use, watch for flutter or excessive vibration that might be caused by poor installation or a poorly balanced wheel.**
10. **Remove material or debris from the area that might be ignited by sparks. Be sure that others are not in the path of the sparks. Keep a proper, charged fire extinguisher closely available.**
11. **If the cut-off wheel stops during the operation, makes an odd noise or begins to vibrate, switch off the tool immediately.**
12. **Always switch off and wait for the cut-off wheel to come to a complete stop before removing, securing workpiece, working vise, changing work position, angle or the cut-off wheel itself.**
13. **Do not touch the workpiece immediately after operation; it is extremely hot and could burn your skin.**
14. **Store wheels in a dry location only.**

SAVE THESE INSTRUCTIONS.

Important safety instructions for battery cartridge

1. **Before using battery cartridge, read all instructions and cautionary markings on (1) battery charger, (2) battery, and (3) product using battery.**
2. **Do not disassemble battery cartridge.**
3. **If operating time has become excessively shorter, stop operating immediately. It may result in a risk of overheating, possible burns and even an explosion.**
4. **If electrolyte gets into your eyes, rinse them out with clear water and seek medical attention right away. It may result in loss of your eyesight.**
5. **Do not short the battery cartridge:**
 - (1) **Do not touch the terminals with any conductive material.**
 - (2) **Avoid storing battery cartridge in a container with other metal objects such as nails, coins, etc.**
 - (3) **Do not expose battery cartridge to water or rain.**

A battery short can cause a large current flow, overheating, possible burns and even a breakdown.
6. **Do not store the tool and battery cartridge in locations where the temperature may reach or exceed 50 °C (122 °F).**

7. **Do not incinerate the battery cartridge even if it is severely damaged or is completely worn out. The battery cartridge can explode in a fire.**
8. **Be careful not to drop or strike battery.**
9. **Do not use a damaged battery.**
10. **The contained lithium-ion batteries are subject to the Dangerous Goods Legislation requirements.** For commercial transports e.g. by third parties, forwarding agents, special requirement on packaging and labeling must be observed. For preparation of the item being shipped, consulting an expert for hazardous material is required. Please also observe possibly more detailed national regulations. Tape or mask off open contacts and pack up the battery in such a manner that it cannot move around in the packaging.
11. **Follow your local regulations relating to disposal of battery.**
12. **Use the batteries only with the products specified by Makita.** Installing the batteries to non-compliant products may result in a fire, excessive heat, explosion, or leak of electrolyte.

SAVE THESE INSTRUCTIONS.

⚠ CAUTION: Only use genuine Makita batteries. Use of non-genuine Makita batteries, or batteries that have been altered, may result in the battery bursting causing fires, personal injury and damage. It will also void the Makita warranty for the Makita tool and charger.

Tips for maintaining maximum battery life

1. **Charge the battery cartridge before completely discharged. Always stop tool operation and charge the battery cartridge when you notice less tool power.**
2. **Never recharge a fully charged battery cartridge. Overcharging shortens the battery service life.**
3. **Charge the battery cartridge with room temperature at 10 °C - 40 °C (50 °F - 104 °F). Let a hot battery cartridge cool down before charging it.**
4. **Charge the battery cartridge if you do not use it for a long period (more than six months).**

INSTALLATION

⚠ WARNING: This tool produces spark when cutting a workpiece. Do not install this tool in the place in which flammable and/or explosive materials might be ignited by the spark from the tool. Also make sure that there is no such material near the tool before starting the operation.

Securing the base

This tool should be bolted with two bolts to a level and stable surface using the bolt holes provided in the tool's base. This will help prevent tipping over and possible personal injury.

► Fig.1: 1. Bolt holes 2. Base

FUNCTIONAL DESCRIPTION

⚠ WARNING: Always be sure that the tool is switched off and the battery cartridge is removed before adjusting or checking the functions on the tool. Failure to switch off and remove the battery cartridge may result in serious personal injury from accidental start-up.

Unlocking/locking tool head

The tool head can be locked. Always lock the tool head when not in use or carrying.

To unlock, depress the tool head slightly and push the lock pin. To lock, return the lock pin while holding down the tool head.

► **Fig.2:** 1. Lock pin

Installing or removing battery cartridge

⚠ CAUTION: Always switch off the tool before installing or removing of the battery cartridge.

⚠ CAUTION: Hold the tool and the battery cartridge firmly when installing or removing battery cartridge. Failure to hold the tool and the battery cartridge firmly may cause them to slip off your hands and result in damage to the tool and battery cartridge and a personal injury.

► **Fig.3:** 1. Red indicator 2. Button 3. Battery cartridge

To remove the battery cartridge, slide it from the tool while sliding the button on the front of the cartridge.

To install the battery cartridge, align the tongue on the battery cartridge with the groove in the housing and slip it into place. Insert it all the way until it locks in place with a little click. If you can see the red indicator on the upper side of the button, it is not locked completely.

⚠ CAUTION: Always install the battery cartridge fully until the red indicator cannot be seen. If not, it may accidentally fall out of the tool, causing injury to you or someone around you.

⚠ CAUTION: Do not install the battery cartridge forcibly. If the cartridge does not slide in easily, it is not being inserted correctly.

NOTE: The tool does not work with only one battery cartridge.

Tool / battery protection system

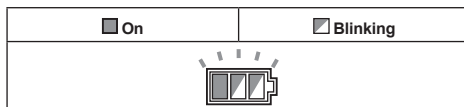
The tool is equipped with a tool/battery protection system. This system automatically cuts off power to the motor to extend tool and battery life. The tool will automatically stop during operation if the tool or battery is placed under one of the following conditions.

Overload protection

When the tool is operated in a manner that causes it to draw an abnormally high current, the tool automatically stops. In this situation, turn the tool off and stop the application that caused the tool to become overloaded. Then turn the tool on to restart.

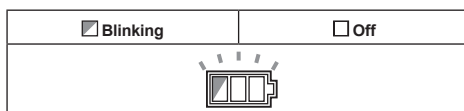
Overheat protection

When the tool is overheated, the tool stops automatically, and the battery indicator blink about 60 seconds. In this situation, let the tool cool down before turning the tool on again.



Overdischarge protection

When the battery capacity becomes low, the tool stops automatically and the battery indicator of the depleted battery cartridge will blink. If the product does not operate even when the switches are operated, remove the depleted battery cartridge from the tool and charge it.



Indicating the remaining battery capacity

► **Fig.4:** 1. Battery indicator 2. Check button

Press the check button to indicate the remaining battery capacities. The battery indicators correspond to each battery.

Battery indicator status			Remaining battery capacity
<input checked="" type="checkbox"/> On	<input type="checkbox"/> Off	<input type="checkbox"/> Blinking	
			50% to 100%
			20% to 50%
			0% to 20%
			Charge the battery

Indicating the remaining battery capacity

Only for battery cartridges with the indicator

► Fig.5: 1. Indicator lamps 2. Check button

Press the check button on the battery cartridge to indicate the remaining battery capacity. The indicator lamps light up for a few seconds.

Indicator lamps			Remaining capacity
Lighted	Off	Blinking	
■	□	▧	75% to 100%
■ ■ ■ ■			
■ ■ ■	□		50% to 75%
■ ■	□ □		25% to 50%
■	□ □ □		0% to 25%
▧	□ □ □ □		Charge the battery.
■ ■ □ □			The battery may have malfunctioned.
□ □ ■ ■			

NOTE: Depending on the conditions of use and the ambient temperature, the indication may differ slightly from the actual capacity.

Switch action

WARNING: Before installing the battery cartridge into the tool, always check to see that the switch trigger actuates properly and returns to the "OFF" position when released.

► Fig.6: 1. Lock-off button 2. Switch trigger

To prevent the switch trigger from being accidentally pulled, a lock-off button is provided. To start the tool, press the lock-off button and pull the switch trigger. Release the switch trigger to stop.

WARNING: NEVER defeat the lock-off button by taping down or some other means. A switch with a negated lock-off button may result in unintentional operation and serious personal injury.

WARNING: NEVER use the tool if it runs when you simply pull the switch trigger without pressing the lock-off button. A switch in need of repair may result in unintentional operation and serious personal injury. Return tool to a Makita service center for proper repairs BEFORE further usage.

NOTICE: Do not pull the switch trigger hard without pressing in the lock-off button. This can cause switch breakage.

Load status indicator

The load status indicator shows the level of the load on the motor during cutting operation. As the load on the motor increases, the number of lighting lamp increases.

► Fig.7: 1. Load status indicator

Overload alert

If the motor is operated with excessive load, all lamps of the load status indicator will blink. In this case, reduce the load on the motor. If you continue to load the motor while the load status indicator is blinking, the tool will automatically stops in few seconds due to overload protection.

NOTE: If an excessive load is generated at once, the tool automatically stops without blinking of the load status indicator.

Interval between vise and guide plate

CAUTION: After adjusting the interval between the vise and the guide plate, make sure that the guide plate is properly secured. Insufficient fixing may result in personal injury.

The following interval settings of the vise are available:

- 0 - 170 mm (original setting)
- 35 - 205 mm
- 70 - 240 mm

If your work requires different setting, proceed as follows to change the spacing or interval.

Loosen the screw on the guide plate. Move the guide plate to the desired position then tighten the screw.

► Fig.8: 1. Screw 2. Guide plate

Cutting angle adjustment

CAUTION: After adjusting the angle of the guide plate, make sure that the guide plate is properly secured. Insufficient fixing may result in personal injury.

CAUTION: Do not operate the tool when the material is not firmly secured with the vise because of the cutting angle.

Turn the lever counterclockwise. Move the guide plate to the desired angle and fully tighten the lever.

► Fig.9: 1. Guide plate 2. Lever

NOTE: The scale on the guide plate is only a rough indication. For more accurate angle, use a protractor or triangle ruler. Keep the handle down so that the cut-off wheel extends into the base. At the same time, adjust the angle between the guide plate and the cut-off wheel with a protractor or triangle ruler.

Spark guard adjustment

Country specific

The spark guard is factory-installed with its lower edge contacting the base. Operating the tool in this position will cause many sparks to fly around. Loosen the screw and adjust the spark guard to a position at which minimum sparks will fly around.

► Fig.10: 1. Screw 2. Spark guard

Electronic function

The tools equipped with electronic function are easy to operate because of the following feature(s).

Soft start feature

Soft start because of suppressed starting shock.

ASSEMBLY

⚠WARNING: Always be sure that the tool is switched off and the battery cartridge is removed before working on the tool. Failure to switch off and remove the battery cartridge may result in serious personal injury.

Opening center cap type safety guard

Country specific

For the tools equipped with center cap type safety guard, loosen the clamping screw first then raise the guard.

► Fig.11: 1. Clamping screw

Opening European type safety guard

Country specific

For the tools equipped with European type safety guard, loosen the clamping screw first then open the guard as shown.

► Fig.12: 1. Clamping screw

► Fig.13

► Fig.14

Removing or installing cut-off wheel

⚠CAUTION: Be sure to tighten the toolless clamp securely. Insufficient tightening may result in severe injury.

⚠CAUTION: Always use only the proper inner and outer flanges which are provided with the tool.

⚠CAUTION: Always lower the safety guard after replacing the cut-off wheel.

⚠CAUTION: Wear gloves when handling wheels.

Raise the safety guard. Turn the toolless clamp counterclockwise while holding down the shaft lock. Then remove the toolless clamp, outer flange and cut-off wheel. When removing the cut-off wheel, do not remove the inner flange as well as the ring and O-ring.

► Fig.15: 1. Shaft lock 2. Toolless clamp

► Fig.16: 1. Inner flange 2. Ring 3. O-ring 4. Cut-off wheel 5. Outer flange 6. Toolless clamp

To install the cut-off wheel, follow the removal procedures in reverse. Make sure to fit the hole of cut-off wheel to the ring and return the safety guard.

OPERATION

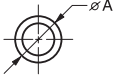
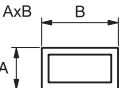
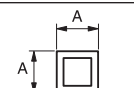

⚠CAUTION: Proper handle pressure during cutting and maximum cutting efficiency can be determined by the amount of sparks that is produced while cutting. Do not force the cut by applying excessive pressure on the handle. Reduced cutting efficiency, premature wheel wear, as well as, possible damage to the tool, cut-off wheel or workpiece may result.

Hold the handle firmly. Switch on the tool and wait until the cut-off wheel attains full speed before lowering gently into the cut. When the cut-off wheel contacts the workpiece, gradually bear down on the handle to perform the cut. When the cut is completed, switch off the tool and wait until the cut-off wheel has come to a complete stop before returning the handle to the fully elevated position.

Cutting capacity

Maximum cutting capacity varies depending on the cutting angle and workpiece shape.

Max. cutting capacity with a brand-new cut-off wheel

Cutting angle / Workpiece shape	90°	45°
	∅ 127 mm	∅ 127 mm
	115 x 130 mm 102 x 194 mm 70 x 233 mm	115 x 103 mm
	119 x 119 mm	106 x 106 mm
	137 x 137 mm	100 x 100 mm

NOTE: A workpiece thinner than 1.6 mm is recommended for cutting with this tool.

Securing workpiece

⚠CAUTION: Always place the thread holder on the shaft threads when securing the workpiece. Failure to do so may result in insufficient securing of the workpiece. This could cause the workpiece to be ejected or cause a dangerous breakage of the cut-off wheel.

While the thread holder is lifted, the vise plate can be moved in and out quickly. To grip a workpiece, push the handle until the vise plate contacts the workpiece then return the thread holder. Turn the handle clockwise until the workpiece is securely retained.

► Fig.17: 1. Handle 2. Thread holder 3. Vise plate

When the cut-off wheel has worn down considerably, place a spacer block behind the workpiece as shown in the figure. You can more efficiently utilize the worn wheel by using the mid point on the periphery of the wheel to cut the workpiece. Use a sturdy and non-flammable material for a spacer block.

► **Fig.18:** 1. Spacer block

When cutting workpieces over 85 mm wide at an angle, attach a straight piece of wood (spacer) over 190 mm long x 40 mm wide to the guide plate as shown in the figure. Attach this spacer with screws through the holes in the guide plate. Make sure that the cut-off wheel does not contact the spacer when the tool head is depressed.

► **Fig.19:** 1. Guide plate 2. Spacer block (over 190 mm long x40 mm wide) 3. Workpiece (over 85 mm wide) 4. Vise plate

NOTICE: When using a spacer block, install the guide plate to the position nearest to the neck of the tool head.

► **Fig.20**

When the cut-off wheel has worn down, raise the cutting position by putting a spacer block which is slightly narrower than the workpiece as shown in the figure. This will help you to utilize the cut-off wheel economically.

► **Fig.21:** 1. Vise plate 2. Workpiece diameter 3. Guide plate 4. Spacer block width

Long workpieces must be supported by blocks on either side so that it will be level with the base top. Use non-flammable material for supporting blocks.

► **Fig.22:** 1. Supporting block

Carrying tool

Before carrying, remove the batteries and fold down the tool head, and then lock it. Hold the handle when carrying.

► **Fig.23**

MAINTENANCE

CAUTION: Always be sure that the tool is switched off and the battery cartridge is removed before attempting to perform inspection or maintenance.

NOTICE: Never use gasoline, benzine, thinner, alcohol or the like. Discoloration, deformation or cracks may result.

To maintain product SAFETY and RELIABILITY, repairs, any other maintenance or adjustment should be performed by Makita Authorized or Factory Service Centers, always using Makita replacement parts.

OPTIONAL ACCESSORIES

CAUTION: These accessories or attachments are recommended for use with your Makita tool specified in this manual. The use of any other accessories or attachments might present a risk of injury to persons. Only use accessory or attachment for its stated purpose.

If you need any assistance for more details regarding these accessories, ask your local Makita Service Center.

- Abrasive cut-off wheels
- Makita genuine battery and charger

NOTE: Some items in the list may be included in the tool package as standard accessories. They may differ from country to country.

SPECIFIKATIONER

Modell:		DLW140
Kapskivans diameter		355 mm
Håldiameter		25,4 mm
Max. skivjocklek		3 mm
Hastighet utan belastning		3 800 min ⁻¹
Märkspänning		36 V likström
Dimensioner (L x B x H)	Med sprängskydd av europeisk typ	537 mm x 290 mm x 640 mm
	Med sprängskydd som inte är av europeisk typ	537 mm x 280 mm x 640 mm
	Med sprängskydd med centrumkåpa	537 mm x 280 mm x 640 mm
Nettovikt	Med sprängskydd av europeisk typ	17,2 - 17,8 kg
	Med sprängskydd som inte är av europeisk typ	15,6 - 16,3 kg
	Med sprängskydd med centrumkåpa	15,4 - 16,0 kg

- På grund av vårt pågående program för forskning och utveckling kan dessa specifikationer ändras utan föregående meddelande.
- Specifikationer kan variera mellan olika länder.
- Vikten kan variera beroende på tillbehören, inklusive batterikassett. Den lättaste och den tyngsta kombinationen enligt EPTA-procedur 01/2014 visas i tabellen.
- Vikt och form varierar beroende på specifikationerna, vilka kan skilja sig från land till land.

Tillgänglig batterikassett och laddare

Batterikassett	BL1815N / BL1820 / BL1820B / BL1830 / BL1830B / BL1840 / BL1840B / BL1850 / BL1850B / BL1860B
Laddare	DC18RC / DC18RD / DC18RE / DC18SD / DC18SE / DC18SF

- Vissa av batterikassetterna och laddarna på listan ovan kanske inte finns tillgängliga i din region.

⚠ VARNING: Använd endast batterikassetter och laddare från listan ovan. Användning av andra batterikassetter och laddare kan orsaka personskada och/eller brand.

Avsedd användning

Maskinen är avsedd för kapning av järn med lämplig slipande kapskiva. Följ alla gällande lagar och föreskrifter angående hälsa och säkerhet för damm och arbetsområde i ditt land.

Buller

Den normala bullernivån för A-belastning är bestämd enligt EN62841-3-10:

Ljudtrycksnivå (L_{pA}): 103 dB (A)

Ljudeffektnivå (L_{WA}): 115 dB (A)

Måttolerans (K): 3 dB (A)

⚠ VARNING: Använd hörselskydd.

Vibration

Det totala vibrationsvärdet (treaxlad vektorsumma) bestämt enligt EN62841-3-10:

Vibrationsemission (a_h): 2,5 m/s²

Måttolerans (K): 1,5 m/s²

OBS: Det deklarerade vibrationsemissionsvärdet har uppmätts i enlighet med standardtestmetoden och kan användas för att jämföra en maskin med en annan.

OBS: Det deklarerade vibrationsemissionsvärdet kan också användas i en preliminär bedömning av exponering för vibration.

⚠ VARNING: Vibrationsemissionen under faktisk användning av maskinen kan skilja sig från det deklarerade emissionsvärdet, beroende på hur maskinen används.

⚠ VARNING: Var noga med att identifiera säkerhetsåtgärder för att skydda användaren, vilka är grundade på en uppskattning av graden av exponering för vibrationer under de faktiska användningsförhållandena, (ta, förutom avtryckartiden, med alla delar av användarcykeln i beräkningen, som till exempel tiden då maskinen är avstängd och när den går på tomgång).

EG-försäkring om överensstämmelse

Gäller endast inom EU

EG-försäkring om överensstämmelse inkluderas som bilaga A till denna bruksanvisning.

SÄKERHETSVARNINGAR

Allmänna säkerhetsvarningar för maskiner

⚠ VARNING: Läs alla säkerhetsvarningar, anvisningar, illustrationer och specifikationer som medföljer det här maskinen. Underlåtenhet att följa instruktionerna kan leda till elstöt, brand och/eller allvarliga personskador.

Spara alla varningar och instruktioner för framtida referens.

Termen "maskin" som anges i varningarna hänvisar till din eldrivna maskin (sladdansluten) eller batteridrivna maskin (sladdlös).

Säkerhetsvarningar för kapmaskin

- Se till att du själv och kringstående personer är ur vägen för den roterande kapskivan.** Sprängskyddet skyddar användaren mot trasiga skivfragment och oavsiktlig kontakt med kapskivan.
- Maskinen får endast användas med bundna, förstärkta kapskivor.** Även om ett tillbehör kan fästas på maskinen garanterar detta inte säker användning.
- Tillbehörets nominella varvtal måste minst vara lika med det maximala varvtalet som anges på maskinen.** Tillbehör som används över det nominella varvtalet kan gå sönder och orsaka skador.
- Kapskivorna får endast användas till rekommenderade arbetsuppgifter. Till exempel: Slipa inte med en kapskivas utsida.** Slipande kapskivor är avsedda för periferislipning. Sidokrafter kan spränga sådana skivor.
- Använd alltid oskadade skivflansar i rätt diameter till din kapskiva.** Rätt skivflansar stöder kapskivan och minskar därigenom risken för att skivan går sönder.
- Tillbehörets ytterdiameter och tjocklek måste vara anpassad till maskinens kapacitetsklassning.** Tillbehör i olämplig storlek kan inte skyddas eller styras tillräckligt väl.
- Styrhålet på skivor och flansar måste exakt passa maskinens spindelstorlek.** Skivor och flansar med styrhål som inte passar monteringen på maskinen orsakar obalans, överdriven vibration och eventuellt att användaren förlorar kontrollen över maskinen.
- Använd inte skadade skivor. Kontrollera skivorna efter flisor och sprickor innan varje användning. Om du tappar maskinen eller kapskivan ska du kontrollera att det inte har uppstått några skador, eller montera en oskadad skiva. Efter inspektion och montering av kapskivan ska du placera dig själv och eventuella kringstående personer ur vägen för den roterande skivan och köra maskinen på full hastighet utan belastning i en minut. Skadade kapskivor går normalt sett sönder under den här testperioden.**

- Använd personlig skyddsutrustning. Använd visir, korgglasögon eller skyddsglasögon beroende på arbetsuppgift. Om så är lämpligt används du dammask, hörselskydd, handskar och verkstadsförkläde som kan skydda mot avskrap eller små fragment från arbetsstycket. Ögonskyddet måste kunna stoppa flygande fragment som uppstår vid olika arbeten. Dammskyddet eller andningsskyddet måste kunna filtrera partiklar som uppstår vid olika arbetsuppgifter. Långvarig exponering för kraftigt buller kan orsaka hörselskador.**
- Håll personer i omgivningen på säkert avstånd från arbetsområdet. Alla som befinner sig i arbetsområdet måste använda skyddsutrustning.** Fragment från arbetsstycket eller från en trasig kapskiva kan flyga iväg och orsaka skada bortom det omedelbara arbetsområdet.
- Rengör regelbundet maskinens ventilationsöppningar.** Motorns fläkt kan suga in damm i höljet och överdriven ansamling av pulveriserad metall kan orsaka elektrisk fara.
- Använd inte maskinen i närheten av lättantändligt material. Använd inte maskinen om den är placerad på en lättantändlig yta, som till exempel trä.** Annars finns risken att gnistor antänder materialet.
- Använd inte tillbehör som kräver flytande kylmedel.** Att använda vatten eller andra flytande kylmedel kan orsaka dödsfall eller elektriska stötar.

Varningar för bakåtkast och liknande

Bakåtkast inträffar som en plötslig reaktion på en fastklämd eller fasthakad roterande kapskiva. Nyp och kärvning orsakar stegring av den roterande kapskivan, vilket i sin tur tvingar den okontrollerade kapenheten i riktning uppåt mot användaren. Om till exempel en slipskiva fastnar i eller kläms fast av arbetsstycket kan skivans kapande kant gräva sig in i materialytan vid klämpunkten, vilket leder till att skivan klättrar eller kastas tillbaka. Slipskivorna kan även gå sönder under dessa omständigheter. Bakåtkast beror på ovarsamhet och/eller felaktiga arbetsrutiner, och kan undvikas genom att vidta nedanstående förebyggande åtgärder.

- Se till att hålla maskinen i ett fast grepp och placera kroppen och din arm på ett sätt som gör att du kan stå emot kraften från bakåtkast.** Användaren kan kontrollera krafterna i ett kast uppåt om lämpliga försiktighetsåtgärder vidtas.
- Placera inte din kropp i linje med den roterande kapskivan.** Om bakåtkast inträffar kommer kapenheten att drivas uppåt mot användaren.
- Montera inte en sågkedja, ett snidarblad eller en segmenterad diamantskiva med en segmenthöjd på över 10 mm. Montera inte heller ett tandat sågblad.** Sådana blad orsakar ofta bakåtkast och förlorad kontroll.
- "Pressa" inte kapskivan eller utsätt den för överdrivet tryck. Försök inte att göra ett alltför stort kapdjup.** Om kapskivan överbelastas ökar belastningen och risken för att skivan vrids eller fastnar i kapet samt risken för bakåtkast eller att skivan går sönder.
- Om kapskivan kärvar eller om ett kap avbryts stänger du av maskinen och håller den stilla tills skivan har stannat helt. Försök aldrig att ta bort kapskivan från kapet medan skivan rör sig, då detta kan orsaka bakåtkast.** Undersök och vidta korrigeringsåtgärder för att eliminera orsaken till att kapskivan fastnar.

6. **Starta inte om kapningen med maskinen kvar i arbetsstycket.** Låt kapskivan uppnå full hastighet och för den varsamt in i spåret. Kapskivan kan fastna, vandra uppåt eller kastas bakåt om maskinen startas om i arbetsstycket.
7. **Stötta stora arbetsstycken för att minimera risken för att kapskivan fastnar och kastas bakåt.** Stora arbetsstycken tenderar att svikta på grund av sin egen vikt. Stöd måste placeras under arbetsstycket nära såglinjen och nära arbetsstyckets kanter på båda sidorna om kapskivan.

Ytterligare säkerhetsvarningar

1. **Se upp för gnistor under arbetet.** De kan orsaka skada eller antända brännbara material.
2. **Sätt fast arbetsstycket.** Använd klämmor eller ett skruvstöd när det lämpar sig. Det är säkrare än att hålla det i handen och du kan använda båda händerna för att manövrera maskinen.
3. **Sätt fast kapskivan noga.**
4. **Var försiktig så att inte spindeln, flänsarna (särskilt monteringsytan), bulten eller kapskivan i sig inte skadas.**
5. **Se till att skydden är på plats och i dugligt skick.**
6. **Håll stadigt i handtaget.**
7. **Håll händerna på avstånd från roterande delar.**
8. **Se till att kapskivan inte är i kontakt med arbetsstycket innan du trycker på avtryckaren.**
9. **Kontrollera före varje användning att skivan inte fladdrar eller vibrerar överdrivet p.g.a. dålig montering eller dåligt balanserad skiva.**
10. **Ta bort material eller rester från området som kan antändas av gnistorna. Se till att andra personer inte står i gnistornas riktning. Ha en ordentlig, laddad brandsläckare till hands.**
11. **Slå genast av verktyget om kapskivan stannar under arbetet, avger ovanliga ljud eller börjar vibrera.**
12. **Stäng alltid av och vänta tills kapskivan har stannat helt före borttagning, fästning av arbetsstycket, justering av skruvstället, ändring av arbetspositionen, vinkeln eller kapskivan i sig.**
13. **Rör inte vid arbetsstycket omedelbart efter arbetet. Det kan vara extremt varmt och orsaka brännskador.**
14. **Förvara kapskivorna torrt.**

SPARA DESSA ANVISNINGAR.

Viktiga säkerhetsanvisningar för batterikassetten

1. Innan batterikassetten används ska alla instruktioner och varningsmärken på (1) batteriladdaren, (2) batteriet och (3) produkten läsas.
2. **Montera inte isär batterikassetten.**
3. Om drifttiden blivit avsevärt kortare ska användningen avbrytas omedelbart. Det kan uppstå överhettning, brännskador och t o m en explosion.
4. Om du får elektrolyt i ögonen ska de sköljas med rent vatten och läkare uppsökas omedelbart. Det finns risk för att synen förloras.

5. **Kortslut inte batterikassetten.**
 - (1) **Rör inte vid polerna med något strömförande material.**
 - (2) **Undvik att förvara batterikassetten tillsammans med andra metallobjekt som t.ex. spikar, mynt o.s.v.**
 - (3) **Skydda batteriet mot vatten och regn. En batterikortslutning kan orsaka ett stort strömflöde, överhettning, brand och maskinhaveri.**
6. **Förvara inte maskinen och batterikassetten på platser där temperaturen kan nå eller överstiga 50 °C.**
7. **Bränn inte upp batterikassetten även om den är svårt skadad eller helt utsliten. Batterikassetten kan explodera i öppen eld.**
8. **Var försiktig så att du inte råkar tappa batteriet och utsätt det inte för stötar.**
9. **Använd inte ett skadat batteri.**
10. **De medföljande litiumjonbatterierna är föremål för kraven i gällande lagstiftning för farligt gods.**

För kommersiella transporter (av t.ex. tredje parter som speditorsfirmor) måste de särskilda transportkrav som anges på emballaget och etiketter iakttas.

För att förbereda den produkt som ska avsändas krävs att du konsulterar en expert på riskmaterial. Var också uppmärksam på att det i ditt land kan finnas ytterligare föreskrifter att följa.

Tejpa över eller maskera blottade kontakter och packa batteriet på sådant sätt att det inte kan röra sig fritt i förpackningen.

11. **Följ lokala föreskrifter beträffande avfallshandtering av batteriet.**
12. **Använd endast batterierna med de produkter som specificerats av Makita. Att använda batterierna med ej godkända produkter kan leda till brand, överdriven värme, explosion eller utläckande elektrolyt.**

SPARA DESSA ANVISNINGAR.

⚠ FÖRSIKTIGT: Använda endast äkta Makita-batterier. Användning av oäkta Makita-batterier eller batterier som har manipulerats kan leda till person- och utrustningsskador eller till att batteriet fattar eld. Det upphäver också Makitas garanti för verktyget och laddaren.

Tips för att uppnå batteriets maximala livslängd

1. **Ladda batterikassetten innan den är helt urladdad. Stanna alltid maskinen och ladda batterikassetten när du märker att maskinen blir svagare.**
2. **Ladda aldrig en fulladdad batterikasset. Överladdning förkortar batteriets livslängd.**
3. **Ladda batterikassetten vid en rumstemperatur på 10 °C - 40 °C. Låt en varm batterikasset svalna innan den laddas.**
4. **Ladda batterikassetten om du inte har använt den på länge (mer än sex månader).**

MONTERING

⚠ VARNING: Den här maskinen skapar gnistor vid kapning av ett arbetsstycke. Montera inte det här verktyget på en plats där det finns lättantändligt och/ eller explosivt material i närheten som kan antändas av gnistor från maskinen. Se även till att inga sådana material finns i närheten av maskinen innan användning.

Fästa bottenplattan

Maskinen skall fästas på en plan och stabil yta med två bultar i de bulthål som finns i maskinens bottenplatta. Detta förhindrar att maskinen välter och orsakar personskada.

► **Fig.1:** 1. Bulthål 2. Bottenplatta

FUNKTIONSBESKRIVNING

⚠ VARNING: Se alltid till att maskinen är avstängd och att batterikassetten är borttagen innan du justerar eller kontrollerar funktionerna på maskinen. Om du inte stänger av maskinen och tar bort batterikassetten kan maskinen oavsiktligt starta, vilket kan leda till allvarig personskada.

Frigöra/låsa verktygshuvudet

Verktygshuvudet kan låsas. Lås alltid verktygshuvudet när maskinen inte används eller när den förflyttas.

Frigör genom att trycka ner verktygshuvudet en bit och tryck sedan på låspinnen. Lås genom att sätta tillbaka låspinnen samtidigt som du håller ner verktygshuvudet.

► **Fig.2:** 1. Låspinne

Montera eller demontera batterikassetten

⚠ FÖRSIKTIGT: Stäng alltid av maskinen innan du monterar eller tar bort batterikassetten.

⚠ FÖRSIKTIGT: Håll stadigt i maskinen och batterikassetten när du monterar eller tar bort batterikassetten. I annat fall kan det leda till att de glider ur dina händer och orsakar skada på maskinen och batterikassetten samt personskada.

► **Fig.3:** 1. Röd indikator 2. Knapp 3. Batterikassett

Ta bort batterikassetten genom att skjuta ner knappen på kassetten framsida samtidigt som du drar ut batterikassetten.

Sätt i batterikassetten genom att rikta in tungan på batterikassetten mot spåret i höljet och skjut den på plats. Tryck in batterikassetten ordentligt tills den låser fast med ett klick. Om du kan se den röda indikatorn på knappens ovansida är den inte låst ordentligt.

⚠ FÖRSIKTIGT: Sätt alltid i batterikassetten helt tills den röda indikatorn inte längre syns. I annat fall kan den oväntat falla ur maskinen och skada dig eller någon annan.

⚠ FÖRSIKTIGT: Montera inte batterikassetten med våld. Om kassetten inte lätt glider på plats är den felinsatt.

OBS: Maskinen fungerar inte med endast en batterikassett.

Skyddssystem för maskinen/ batteriet

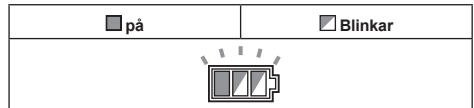
Maskinen är utrustad med ett skyddssystem för maskinen-/batteriet. Detta system bryter automatiskt strömmen till motorn för att förlänga maskinens och batteriets livslängd. Maskinen stoppar automatiskt under användningen om maskinen eller batteriet hamnar i en av följande situationer. Indikatorerna tänds i vissa situationer.

Överbelastningsskydd

Om maskinen används på ett sätt som gör att det drar onormalt mycket ström kan maskinen stoppa automatiskt. Stäng då av maskinen och stoppa åtgärden som gjorde att den överbelastades. Starta därefter upp maskinen igen.

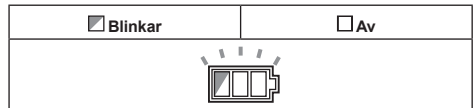
Överhettningsskydd

När maskinen blir överhettad stannar den av automatiskt och batteriindikatorn blinkar i cirka 60 sekunder. Låt maskinen svalna innan du startar den igen.



Överurladdningsskydd

När batterikapaciteten blir låg stannar verktyget automatiskt och batteriindikatorn för den uttömda batterikassetten blinkar. Om produkten inte fungerar trots att knapparna fungerar som de ska tar du bort den uttömda batterikassetten från verktyget och laddar den.



Indikerar kvarvarande batterikapacitet

► Fig.4: 1. Batteriindikator 2. Kontrollknapp

Tryck på kontrollknappen för att se kvarvarande batterikapacitet. Batteriindikeringarna motsvarar varje batteri.

Batteriindikatorstatus			Kvarvarande batterikapacitet
På	Av	Blikrar	
			50 % till 100 %
			20 % till 50 %
			0 % till 20 %
			Ladda batteriet

Indikerar kvarvarande batterikapacitet

Endast för batterikassetter med indikator

► Fig.5: 1. Indikatorlampor 2. Kontrollknapp

Tryck på kontrollknappen på batterikassetten för att se kvarvarande batterikapacitet. Indikatorlamporna lyser i ett par sekunder.

Indikatorlampor			Kvarvarande kapacitet
Upplyst	Av	Blikrar	
			75% till 100%
			50% till 75%
			25% till 50%
			0% till 25%
			Ladda batteriet.
			Batteriet kan ha skadats.

OBS: Beroende på användningsförhållanden och den omgivande temperaturen kan indikationen skilja sig lätt från den faktiska batterikapaciteten.

Avtryckarens funktion

⚠ VARNING: Innan du sätter i batterikassetten i maskinen ska du kontrollera att avtryckaren fungerar och återgår till läget "OFF" när du släpper den.

► Fig.6: 1. Startspärr 2. Avtryckare

En säkerhetsknapp förhindrar oavsiktlig aktivering av avtryckaren. Tryck in säkerhetsknappen och tryck sedan in avtryckaren för att starta verktyget. Släpp avtryckaren för att stoppa verktyget.

⚠ VARNING: Sätt ALDRIG säkerhetsknappens funktion ur spel genom att t.ex. tejpa fast den. I annat fall kan följden bli oavsiktlig aktivering och allvarlig personskada.

⚠ VARNING: Använd ALDRIG verktyget om det startar när du trycker in avtryckaren utan att ha tryckt in säkerhetsknappen. En säkerhetsknapp som behöver repareras kan orsaka oavsiktlig aktivering och allvarlig personskada. Returnera verktyget till ett Makita-servicecenter för reparation INNAN du fortsätter att använda det.

OBSERVERA: Tryck inte in avtryckaren hårt utan att ha tryckt in säkerhetsknappen. Det kan skada avtryckaren.

Indikator för belastningsstatus

Indikatorn för belastningsstatus visar nivån för belastningen på motorn medan kapningen pågår. Allt eftersom belastningen på motorn ökar, ökar också antalet lysande lampor.

► Fig.7: 1. Indikator för belastningsstatus

Överbelastningsvarning

Om motorn körs med för hög belastning blinkar samtliga lampor på belastningsindikatorn. Minska i så fall belastningen på motorn. Om du fortsätter belasta motorn medan belastningsstatusindikatorn blinkar, stannar verktyget automatiskt efter några sekunder på grund av överbelastningsskydd.

OBS: Om alltför kraftig belastning bildas på en och samma gång, stannar verktyget automatiskt utan att indikatorn för belastningsstatus blinkar.

Avstånd mellan skruvstycke och anhåll

⚠ FÖRSIKTIGT: Efter att du har justerat intervallet mellan skruvstället och anhållet bör du se till att anhållet är ordentligt fastsatt. I annat fall kan personsador uppstå.

Följande intervaller finns tillgängliga för skruvstället:

- 0 - 170 mm (originalinställning)
- 35 - 205 mm
- 70 - 240 mm

Om ditt arbete kräver en annan inställning gör du följande för att ändra avståndet eller intervallet.

Lossa på skruven på anhållet. Flytta anhållet till önskad position och dra åt skruven.

► Fig.8: 1. Skruv 2. Anhåll

Justering av kapningsvinkeln

⚠ FÖRSIKTIGT: Efter att du har justerat anhållets vinkel ser du till att anhållet är ordentligt fastsatt. I annat fall kan personskador uppstå.

⚠ FÖRSIKTIGT: Använd inte maskinen om kapningsvinkeln gör att materialet inte säkras ordentligt med skruvstället.

Vrid spärren motsols. Flytta anhållet till önskad vinkel och dra åt spärren helt.

► Fig.9: 1. Anhåll 2. Spärr

OBS: Skalan på anhållet är endast en ungefärlig indikation. Använd en gradskiva eller triangulär linjal för en mer exakt vinkel. Håll ned handtaget så att kapskivan går ner i bottenplattan. Justera samtidigt vinkeln mellan anhållet och kapskivan med en gradskiva eller triangulär linjal.

Justering av gnistskydd

Landsspecifik

Gnistskyddet är fabriksmonterat med dess nedre kant mot bottenplattan. Om maskinen används med gnistskyddet i detta läge skapas ett stort antal gnistor som flyger omkring. Lossa skruven och justera gnistskyddet till ett läge med minimal gnistbildning.

► Fig.10: 1. Skruv 2. Gnistskydd

Elektronisk funktion

Följande elektroniska funktioner underlättar användningen av maskinen.

Mjukstartfunktion

Mjukstart genom att startkrafterna undertrycks.

MONTERING

⚠ VARNING: Se alltid till att maskinen är avstängd och att batterikassetten är borttagen innan du utför arbete på maskinen. I annat fall kan det orsaka allvarlig personskada.

Öppna sprängskydd med centrumkåpa

Landsspecifik

För maskiner som är utrustade med sprängskydd med centrumkåpa lossar du låsskruven först och lyfter sedan upp skyddet.

► Fig.11: 1. Låsskruv

Öppna sprängskydd av europeisk typ

Landsspecifik

För maskiner som är utrustade med sprängskydd av europeisk typ lossar du låsskruven först och öppnar sedan skyddet enligt bilden.

► Fig.12: 1. Låsskruv

► Fig.13

► Fig.14

Demontering eller montering av kapskiva

⚠ FÖRSIKTIGT: Se till att dra åt den verktygsfria klämman ordentligt. Otillräcklig åtdragning kan leda till allvarliga skador.

⚠ FÖRSIKTIGT: Använd endast de avpassade inre och yttre flänsarna som medföljer maskinen.

⚠ FÖRSIKTIGT: Sänk alltid sprängskyddet efter att kapskivan bytts ut.

⚠ FÖRSIKTIGT: Bär handskar när du hanterar kapskivor.

Lyft upp sprängskyddet. Vrid den verktygsfria klämman motsols medan du håller ner spindellåset. Ta sedan bort den verktygsfria klämman, yttre flänsen och kapskivan. När du tar bort kapskivan ska du inte ta bort den inre flänsen, insatsringen eller O-ringen.

► Fig.15: 1. Spindellås 2. Verktygsfri klämma

► Fig.16: 1. Inre fläns 2. Insatsring 3. O-ring
4. Kapskiva 5. Yttre fläns 6. Verktygsfri klämma

Följ demonteringsproceduren i omvänd ordning för att montera kapskivan. Se till att passa in hålet på kapskivan med insatsringen och sätt tillbaka sprängskyddet.

ANVÄNDNING

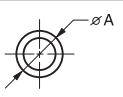
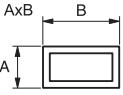
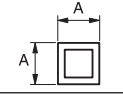

⚠ FÖRSIKTIGT: Lämpligt tryck mot handtaget under kapningen och maximal kapningseffektivitet kan bestämmas utifrån mängden gnistor som bildas vid kapningen. Tvinga inte kapningen genom att trycka överdrivet hårt mot handtaget. Det kan resultera i minskad kapningseffektivitet, nedslitning av skivan i förtid samt risk för skador på maskinen, kapskivan eller arbetsstycket.

Håll stadigt i handtaget. Sätt på verktyget och vänta tills kapskivan har uppnått full hastighet innan den försiktigt sänks mot kaplinjen. Tryck gradvis ner handtaget när kapskivan kommer i kontakt med arbetsstycket för att genomföra kapningen. Stäng av verktyget när kapningen är avslutad och vänta tills kapskivan har stannat fullständigt innan handtaget återförs till dess helt uppfällda läge.

Kapningskapacitet

Den maximala kapningskapaciteten varierar beroende på kapningsvinkeln och arbetsstyckets form.

Max. kapningskapacitet med helt ny kapskiva

Kapvinkel/ arbetsstyckets form	90°	45°
	ø 127 mm	ø 127 mm
	115 x 130 mm 102 x 194 mm 70 x 233 mm	115 x 103 mm
	119 x 119 mm	106 x 106 mm
	137 x 137 mm	100 x 100 mm

OBS: Ett arbetsstycke tunnare än 1,6 mm rekommenderas för kapning med detta verktyg.

Fastsättning av arbetsstycke

⚠ FÖRSIKTIGT: Sätt alltid fast gänghållaren på axelgångorna när du fäster arbetsstycket. I annat fall kan det resultera i att arbetsstycket inte fästs tillförlitligt. Detta kan leda till att arbetsstycket hoppar ur eller till ett farligt brott på kapskivan.

Medan gänghållaren är upplyft kan skruvstädets platta snabbt flyttas in och ut. Greppa ett arbetsstycke genom att skjuta handtaget tills skruvstädets platta kommer i kontakt med arbetsstycket och sätt sedan tillbaka gänghållaren. Vrid handtaget medsols tills arbetsstycket sitter fast ordentligt.

► **Fig.17:** 1. Handtag 2. Gänghållare 3. Skruvstädets platta

När kapskivan har slitits ner kraftigt placerar du en distanskloss bakom arbetsstycket så som visas i figuren. Du kan använda den nedslitna skivan mer effektivt genom att använda mittpunkten på skivans kant för att kapa arbetsstycket. Använd ett kraftigt brandsäkert material för distansklossen.

► **Fig.18:** 1. Distanskloss

Fäst ett rakt trästycke (distanskloss) som är mer än 190 mm långt x 40 mm brett vid anhållet så som visas i figuren vid vinkelkapning av arbetsstycken som är bredare än 85 mm. Fäst distansklossen med skruvar genom hålen i anhållet. Se till att kapskivan inte har kontakt med distansklossen när verktygshuvudet är nedsänkt.

► **Fig.19:** 1. Anhåll 2. Distanskloss (mer än 190 mm långt x40 mm brett) 3. Arbetsstycke (mer än 85 mm brett) 4. Skruvstädets platta

OBSERVERA: När du använder en distanskloss sätter du anhållet på platsen närmast halsen på verktygshuvudet.

► **Fig.20**

När kapskivan har slitits ner höjer du kapningspositionen genom att placera en distanskloss som är något smalare än arbetsstycket så som visas i figuren. Det hjälper dig att använda kapskivan på ett ekonomiskt sätt.

► **Fig.21:** 1. Skruvstädets platta 2. Arbetsstyckets diameter 3. Anhåll 4. Distansklossens bredd

Långa arbetsstycken måste stödjas på båda sidor av klossar så att de kommer i nivå med bottenplattans övre del. Använd ett brandsäkert material för stödklossarna.

► **Fig.22:** 1. Stödkloss

Bära maskinen

Innan du bär verktyget tar du bort batterierna och faller ner verktygshuvudet, och låser det sedan. Håll i handtaget när du bär verktyget.

► **Fig.23**

UNDERHÅLL

⚠ FÖRSIKTIGT: Se alltid till att maskinen är avstängd och batterikassetten borttagen innan inspektion eller underhåll utförs.

OBSERVERA: Använd inte bensen, förtunningsmedel, alkohol eller liknande. Missfärgning, deformation eller sprickor kan uppstå.

För att upprätthålla produktens SÄKERHET och TILLFÖRLITLIGHET bör allt underhålls- och justeringsarbete utföras av ett auktoriserat Makita servicecenter och med reservdelar från Makita.

VALFRIA TILLBEHÖR

⚠ FÖRSIKTIGT: Följande tillbehör eller tillsatser rekommenderas för användning med den Makita-maskin som denna bruksanvisning avser. Om andra tillbehör eller tillsatser används kan det uppstå risk för personskador. Använd endast tillbehören eller tillsatserna för de syften de är avsedda för.

Kontakta ditt lokala Makita servicecenter om du behöver ytterligare information om dessa tillbehör.

- Slipande kapskivor
- Makitas originalbatteri och -laddare

OBS: Några av tillbehören i listan kan vara inkluderade i maskinpaketet som standardtillbehör. De kan variera mellan olika länder.

TEKNISKE DATA

Modell:		DLW140
Skivediameter		355 mm
Hulldiameter		25,4 mm
Maks. skivetykkelse		3 mm
Hastighet uten belastning		3 800 min ⁻¹
Merkespenning		DC 36 V
Mål (L x B x H)	Med sikkerhetsvern for europeiske land	537 mm x 290 mm x 640 mm
	Med sikkerhetsvern for ikke-europeiske land	537 mm x 280 mm x 640 mm
	Sikkerhetsvern med senterdeksel	537 mm x 280 mm x 640 mm
Nettovekt	Med sikkerhetsvern for europeiske land	17,2 - 17,8 kg
	Med sikkerhetsvern for ikke-europeiske land	15,6 - 16,3 kg
	Sikkerhetsvern med senterdeksel	15,4 - 16,0 kg

- På grunn av vårt kontinuerlige forsknings- og utviklingsprogram kan spesifikasjonene som oppgis i dette dokumentet endres uten varsel.
- Spesifikasjonene kan variere fra land til land.
- Vekten kan variere avhengig av tilbehøret/tilbehørene, inkludert batteriet. Den letteste og tyngste kombinasjonen, i henhold til EPTA-prosedyre 01/2014, vises i tabellen.
- Formen og vekten varierer ut fra spesifikasjonene, noe som varierer fra land til land.

Passende batteri og lader

Batteriinsats	BL1815N / BL1820 / BL1820B / BL1830 / BL1830B / BL1840 / BL1840B / BL1850 / BL1850B / BL1860B
Lader	DC18RC / DC18RD / DC18RE / DC18SD / DC18SE / DC18SF

- Noen av batteriene og laderne som er opplistet ovenfor er kanskje ikke tilgjengelige, avhengig av hvor du bor.

⚠ ADVARSEL: Bruk kun de batteriene og laderne som er opplistet ovenfor. Bruk av andre batterier og ladere kan føre til personskader og/eller brann.

Riktig bruk

Maskinen er beregnet på saging i jernholdige materialer med passende slipende kappeskiver. Følg alle lover og bestemmelser som gjelder støv, helse og sikkerhet på arbeidsplassen i landet ditt.

Støy

Typisk A-vektet lydtryknivå er bestemt i henhold til EN62841-3-10:

Lydtryknivå (L_{pA}): 103 dB (A)

Lydeffektnivå (L_{WA}): 115 dB (A)

Usikkerhet (K): 3 dB (A)

⚠ ADVARSEL: Bruk hørselsvern.

Vibrasjoner

Den totale vibrasjonsverdien (triaksial vektorsum)

bestemt i henhold EN62841-3-10:

Genererte vibrasjoner (a_h): 2,5 m/s²

Usikkerhet (K): 1,5 m/s²

MERK: Den angitte verdien for de genererte vibrasjonene er målt i samsvar med standardtestmetoden og kan brukes til å sammenlikne et verktøy med et annet.

MERK: Den angitte verdien for de genererte vibrasjonene kan også brukes til en foreløpig vurdering av eksponeringen.

⚠ ADVARSEL: De genererte vibrasjonene ved faktisk bruk av elektroverktøyet kan avvike fra den angitte vibrasjonsverdien, avhengig av hvordan verktøyet brukes.

⚠ ADVARSEL: Sørg for å identifisere vernetiltak for å beskytte operatøren, som er basert på et estimat av eksponeringen under de faktiske bruksforholdene (idet det tas hensyn til alle deler av driftssyklusen, dvs. hvor lenge verktøyet er slått av, hvor lenge det går på tomgang og hvor lenge startbryteren faktisk holdes trykket).

EFs samsvarserklæring

Gjelder kun for land i Europa

EFs samsvarserklæring er lagt til som vedlegg A i denne bruksanvisningen.

SIKKERHETSADVARSEL

Generelle advarsler angående sikkerhet for elektroverktøy

⚠ADVARSEL: Les alle sikkerhetsadvarsler, instruksjoner, illustrasjoner og spesifikasjoner som følger med dette elektroverktøyet. Hvis ikke alle instruksjonene nedenfor følges, kan det forekomme elektrisk støt, brann og/eller alvorlig skade.

Oppbevar alle advarsler og instruksjoner for senere bruk.

Uttrykket «elektrisk verktøy» i advarslene refererer både til elektriske verktøy (med ledning) tilkoblet strømmen, og batteridrevne verktøy (uten ledning).

Sikkerhetsadvarsler for kappemaskin

- Hold både deg selv og andre på avstand fra den roterende skivens plan.** Vernet bidrar til å beskytte brukeren mot brukne skivefragmenter og utilsikket kontakt med skiven.
- Bruk bare sammenføyde forsterkede kappskiver med dette elektroverktøyet.** Selv om et tilbehør kan monteres på verktøyet, betyr ikke dette at det er trygt å bruke.
- Angitt hastighet for tilbehøret må være minst like høy som største angitte hastighet på elektroverktøyet.** Tilbehør som kjøres med større hastighet enn det som er angitt, kan gå i stykker og slynges ut.
- Skiver må bare brukes slik det er anbefalt. For eksempel: Ikke slip med siden av en kappeskive.** Kappeskiver for pussing er bare beregnet for periferisk pussing. Sidekrefter mot disse skivene kan knuse dem.
- Bruk alltid uskadede skiveflenser med riktig diameter for skiven som er valgt.** Riktige skiveflenser støtter skiven og reduserer muligheten for skivebrudd.
- Den ytre diameteren og tykkelsen på tilbehøret må ligge innenfor den angitte kapasiteten for elektroverktøyet.** Tilbehør med feil størrelse kan ikke sikres eller kontrolleres tilstrekkelig.
- Akselstørrelsen på skiver og flenser må være riktig tilpasset spindelen på elektroverktøyet.** Skiver og flenser med akselhull som ikke passer til monteringsmekanismen på elektroverktøyet vil komme ut av balanse, vibrere kraftig og kanskje føre til tap av kontroll.
- Ikke bruk skiver som er skadet. Undersøk skivene med hensyn til skår og sprekker før hver bruk.** Hvis elektroverktøyet eller skiven faller i bakken, må du sjekke for skader eller montere en uskadd skive. Etter at skiven er undersøkt og montert, må du holde deg selv og andre utenfor den roterende skivens plan og kjøre verktøyet på maksimal hastighet uten belastning i ett minutt. Skiver som er skadet, vil vanligvis gå i stykker i løpet av denne testen.

- Bruk personlig verneutstyr. Avhengig av bruksområdet, må du bruke visir eller vernebriller. Der det er aktuelt, må du bruke støvmaske, hørselvern, hansker og forkle som kan stoppe små slipefragmenter eller deler fra arbeidsemnet.** Øyevernet må kunne stoppe flygende biter som oppstår under ulike operasjoner. Støvmasken eller åndedrettsvernet må kunne filtrere ut partikler som oppstår under arbeid. Kraftig lyd over lengre tid kan forårsake hørselsskader.
- Hold andre på trygg avstand fra arbeidsområdet. Alle som beveger seg inn i arbeidsområdet må bruke personlig verneutstyr.** Fragmenter fra arbeidsemnet eller en skadet skive kan fly av sted og forårsake personskade utenfor det umiddelbare bruksstedet.
- Rengjør verktøets luftventiler regelmessig.** Motorens vifte kan trekke støv inn i verktøyhuset, og mye oppsamlet metallstøv kan medføre elektrisk fare.
- Ikke bruk elektroverktøyet nær brennbare materialer. Elektroverktøyet må ikke brukes når det er plassert på en antennelig overflate, som for eksempel trevirke.** Gnister kan antenne slike materialer.
- Ikke bruk tilbehør som krever kjølevæske.** Bruk av vann eller andre kjølevæsker kan føre til elektrisk støt.

Tilbakeslag og relaterte advarsler

Tilbakeslag er en plutselig reaksjon på en roterende skive som er klemt eller heftet fast. Fastklemming forårsaker plutselig stopp av den roterende skiven, noe som forårsaker at den ukontrollerbare kappeenheten kastes oppover mot operatøren.

Hvis for eksempel en slipeskive klemmes eller hektes fast i arbeidsemnet, kan kanten på skiven som er fastklemt grave seg inn i overflaten på materialet og føre til at skiven graver seg ut eller slås ut. Slipeskiver kan også knekke under slike forhold.

Tilbakeslag er et resultat av at elektroverktøyet misbrukes og/eller brukes på feil måte eller under feil forhold, og kan unngås ved å ta de nødvendige forholdsreglene som beskrives nedenfor.

- Hold godt fast i verktøyet og plasser kroppen og armen din slik at du kan motstå kreftene i et tilbakeslag.** Operatøren kan kontrollere kreftene i et tilbakeslag hvis det tas riktige forholdsregler.
- Ikke plasser kroppen på linje med den roterende skiven.** Et tilbakeslag vil drive kappeenheten oppover mot operatøren.
- Ikke monter et sagkjedeblad, treskjæringsblad eller en segmentert diamantskive med periferisk avstand over 10 mm, eller med et tannet sagblad.** Slike blader gir ofte tilbakeslag og mangel på kontroll.
- Ikke «klem fast» skiven eller legg sterkt press på den. Ikke forsøk å kutte for dypt.** For mye press på skiven øker belastningen og sjansen for at skiven vris eller setter seg fast under kutting, og øker dermed sjansen for tilbakeslag eller at skiven blir ødelagt.
- Når skiven fastklemmes, eller du ønsker å avbryte kappingen, må du slå av verktøyet og holde kappeenheten i ro til skiven har stoppet helt. Forsøk aldri å fjerne skiven fra kuttet mens den er i bevegelse, da dette kan forårsake tilbakeslag.** Undersøk årsaken til at skiven setter seg fast, og rett opp feilen.

- Ikke start kappingen på nytt mens skiven står i arbeidsemnet. La skiven nå full hastighet, og før den så ned i kuttet på nytt. Skiven kan sette seg fast, bli trukket oppover eller gi tilbakeslag hvis elektroverktøyet startes på nytt i arbeidsemnet.
- Støtt opp overdimensjonerte arbeidsemner for å minimere muligheten for fastklemming eller tilbakeslag.** Store arbeidsemner har en tendens til å synke under sin egen vekt. Det må plasseres støtter under arbeidsemnet nært kuttlinjen og nært kanten på arbeidsemnet på begge sider av skiven.

Flere sikkerhetsadvarsler

- Se opp for gnistsprut under arbeid.** Det kan føre til ulykker eller antenne brennbare materialer.
- Fest arbeidsemnet. Bruk klemmer eller en skrustikke til å holde fast emnet, hvis praktisk.** Det er tryggere enn å bruke hånden, og det gir deg begge hender fri til å bruke maskinen.
- Fest kappeskiven godt.**
- Pass på å ikke skade spolen, flensene (særlig installasjonsoverflaten) eller boltene, ellers kan selve kappeskiven knekke.**
- Hold verne på plass og sørg for at de er i god stand.**
- Hold hendelen godt fast.**
- Hold hendene unna roterende deler.**
- Kontroller at kappeskiven ikke er i kontakt med arbeidsemnet før du slår på startbryteren.**
- Før bruk må du se etter vingling eller vibrasjoner som kan være forårsaket av at skiven ikke er riktig festet eller er ubalansert.**
- Fjern materiale eller avfall fra området som kan antennes av gnister.** Forsikre deg om at andre ikke kommer i veien for gnistene. Oppbevar en skikkelig, klar brannslukker innen rekkevidde.
- Hvis kappeskiven stopper under bruk, gir fra seg uvanlig lyd eller begynner å vibrere, må du slå av verktøyet umiddelbart.**
- Før du fjerner eller sikrer arbeidsemnet eller skrustikken, endrer arbeidsstilling, vinkel eller selve kappeskiven, må du alltid slå av verktøyet og vente til kappeskiven har stoppet helt.**
- Ikke berør arbeidsemnet umiddelbart etter bruk.** Det er ekstremt varmt og kan gi deg brannskader.
- Oppbevar skiver kun på et tørt sted.**

TA VARE PÅ DISSE INSTRUKSENE.

Viktige sikkerhetsanvisninger for batteriinnsats

- Før du begynner å bruke batteriet, må du lese alle anvisninger og forsiktighetsregler på (1) batteriladeren, (2) batteriet og (3) det produktet batteriet skal brukes i.
- Ikke ta fra hverandre batteriet.
- Hvis driftstiden er blitt vesentlig kortere, må du omgående slutte å bruke maskinen. Hvis ikke kan resultatet bli overoppheting, mulige forbrenninger eller til og med en eksplosjon.
- Hvis du får elektrolytt i øynene, må du skylle dem med store mengder rennende vann og oppsøke lege med én gang. Denne typen uhell kan føre til varig blindhet.

5. Ikke kortslutt batteriet:

- De kan være ekstremt varme og du kan brenne deg.
- Ikke lagre batteriet i samme beholder som andre metallgjenstander, som for eksempel spiker, mynter osv.
- Ikke la batteriet komme i kontakt med vann eller regn.

En kortslutning av batteriet kan føre til et kraftig strømstøt, overoppheting, mulige forbrenninger og til og med til at batteriet går i stykker.

- Ikke lagre maskinen og batteriet på steder hvor temperaturen kan komme opp i eller overskride 50 °C.
- Ikke sett fyr på batteriet, ikke engang om det er sterkt skadet eller helt utslitt. Batteriet kan eksplodere hvis det begynner å brenne.
- Vær forsiktig så du ikke mister batteriet eller utsetter det for slag.
- Ikke bruk batterier som er skadet.
- Lithium-ion-batteriene som medfølger er gjenstand for krav om spesialavfall. For kommersiell transport, f.eks av tredjeparter eller speditorer, må spesielle krav om pakking og merking følges. Før varen blir sendt, må du forhøre deg med en ekspert på farlig materiale. Ta også hensyn til muligheten for mer detaljerte nasjonale bestemmelser. Bruk teip eller maskeringsteip for å skjule åpne kontakter og pakk inn batteriet på en slik måte at den ikke kan bevege seg rundt i emballasjen.
- Følg lokale bestemmelser for avhending av batterier.
- Bruk batteriene kun med produkter spesifisert av Makita. Montere batteriene i produkter som ikke er konforme kan føre til brann, overoppheting eller elektrolyttlekkasje.

TA VARE PÅ DISSE INSTRUKSENE.

⚠FORSIKTIG: Bruk kun originale Makita-batterier. Bruk av batterier som har endret seg, eller som ikke er originale Makita-batterier, kan føre til at batteriet sprekker og forårsaker brann, personskader og andre skader. Det vil også ugyldiggjøre garantien for Makita-verktøyet og -laderen.

Tips for å opprettholde maksimal batterilevetid

- Lad batteriinnsatsen før den er helt utladet. Stopp alltid driften av verktøyet og lad batteriinnsatsen når du merker at effekten reduseres.
- Lad aldri en batteriinnsats som er fulladet. Overopplading forkorter batteriets levetid.
- Lad batteriet i romtemperatur ved 10 °C - 40 °C. Et varmt batteri må kjøles ned før lading.
- Lad batteriet hvis det ikke har vært brukt på en lang stund (over seks måneder).

MONTERING

⚠ADVARSEL: Dette verktøyet lager gnister når det kutter et arbeidseme. Ikke monter dette verktøyet på et sted der det finnes brennbare og/eller eksplosive materialer som kan påtennes av at verktøyet lager gnister. Pass også på at det ikke finnes brennbart materiale i nærheten av verktøyet før du begynner å bruke det.

Feste basen

Dette verktøyet bør boltes med to skruer til en jevn og stabil overflate med skru hullene i sagfoten. Dette vil hindre at verktøyet velter og potensielt forårsaker personskader.

► **Fig.1:** 1. Bolthull 2. Fot

FUNKSJONS BESKRIVELSE

⚠ADVARSEL: Forviss deg alltid om at verktøyet er slått av og batteriet tatt ut før du justerer maskinen eller kontrollerer dens mekaniske funksjoner. Hvis du ikke slår av verktøyet og fjerner batteriet, kan det hende at verktøyet starter ved et uhell, noe som kan føre til alvorlig personskade.

Låse / låse opp maskinholdet

Maskinholdet kan låses. Du må alltid låse maskinholdet når det ikke brukes, eller når det bæres.

Lås opp ved å trykke maskinholdet forsiktig ned og dytte inn låsepinne. Lås ved å dytte låsepinne tilbake på plass mens du holder maskinholdet nede.

► **Fig.2:** 1. Låsepinne

Sette inn eller ta ut batteri

⚠FORSIKTIG: Slå alltid av verktøyet før du setter inn eller fjerner batteriet.

⚠FORSIKTIG: Hold verktøyet og batteripatronen i et fast grep når du monterer eller fjerner batteripatronen. Hvis du ikke holder verktøyet og batteripatronen godt fast, kan du miste grepet, og dette kan føre til skader på verktøyet og batteripatronen samt personskader.

► **Fig.3:** 1. Rød indikator 2. Knapp 3. Batteriinnsetts

Før å ta ut batteriet må du skyve på knappen foran på batteriet og trekke det ut.

Når du skal sette inn batteriet, må du plassere tungen på batteriet på linje med sporet i huset og skyve batteriet på plass. Skyv det helt inn til det går i inngrep med et lite klikk. Hvis du kan se den røde anviseren på oversiden av knappen, er det ikke fullstendig låst.

⚠FORSIKTIG: Batteriet må alltid settes helt inn, så langt at den røde anviseren ikke lenger er synlig. Hvis dette ikke gjøres, kan batteriet komme til å falle ut av maskinen og skade deg eller andre som oppholder seg i nærheten.

⚠FORSIKTIG: Ikke bruk makt når du setter i batteriet. Hvis batteriet ikke glir lett inn, er det fordi det ikke settes inn på riktig måte.

MERK: Verktøyet fungerer ikke med kun ett batteri.

Batterivernsystem for verktøy/batteri

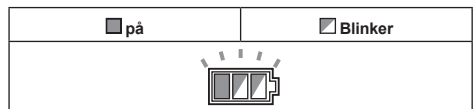
Verktøyet er utstyrt med et batterivernsystem for verktøy/batteri. Dette systemet slår automatisk av strømmen til motoren for å forlenge verktøyets og batteriets levetid. Verktøyet stopper automatisk under drift hvis verktøyet eller batteriet utsettes for en av følgende tilstander. Indikatorene lyser i noen tilfeller.

Overlastsikring

Når verktøyet brukes på en måte som gjør at det bruker unormalt mye strøm, vil verktøyet stoppe automatisk. Hvis dette skjer, må du slå av verktøyet og avslutte bruken som forårsaket at verktøyet ble overbelastet. Slå deretter verktøyet på for å starte det igjen.

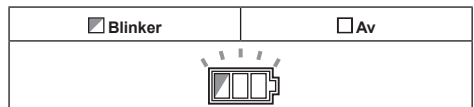
Overopphetingsvern

Når verktøyet blir overopphetet, stopper verktøyet automatisk, og batteriindikatoren blinker i ca. 60 sekunder. Hvis dette skjer, må du la verktøyet kjøle seg ned før du slår på verktøyet igjen.



Overutladingsvern

Når batterikapasiteten blir lav, stopper verktøyet automatisk, og det tomme batteriets batteriindikator vil blinke. Hvis produktet ikke går selv om bryterne aktiveres, må du ta det tomme batteriet ut av verktøyet og lade det.



Indikere gjenværende batterikapasitet

► Fig.4: 1. Batteriindikator 2. Kontrollknapp

Trykk på kontrollknappen for vise det gjenværende batterinivået. Batteriindikatorerne korresponderer til hvert batteri.

Batteriindikatorstatus			Gjenværende batterikapasitet
På	Av	Blinker	
			50 % til 100 %
			20 % til 50 %
			0 % til 20 %
			Lad batteriet

Indikere gjenværende batterikapasitet

Kun for batterier med indikatoren

► Fig.5: 1. Indikatorlamper 2. Kontrollknapp

Trykk på sjekk-knappen på batteriet for vise gjenværende batterikapasitet. Indikatorlampene lyser i et par sekunder.

Indikatorlamper			Gjenværende batterinivå
Tent	Av	Blinker	
			75 % til 100 %
			50 % til 75 %
			25 % til 50 %
			0 % til 25 %
			Lad batteriet.
			Batteriet kan ha en feil.

MERK: Det angitte nivået kan avvike noe fra den faktiske kapasiteten alt etter bruksforholdene og den omgivende temperaturen.

Bryterfunksjon

⚠ ADVARSEL: Før du setter batteriet inn i maskinen, må du alltid kontrollere at startbryteren aktiverer maskinen på riktig måte og går tilbake til «AV»-stilling når den slippes.

► Fig.6: 1. AV-sperreknapp 2. Startbryter

For å unngå at startbryteren trykkes inn ved en feiltakelse, er maskinen utstyrt med en AV-sperreknapp. For å starte maskinen må du trykke inn AV-sperreknappen og trykke på startbryteren. Utlås startbryteren for å stoppe.

⚠ ADVARSEL: ALDRI sett avsperringsknappen ute av funksjon ved å for eksempel teipe over den. En defekt avsperringsknapp kan føre til at maskinen aktiveres utilsikket og alvorlige personskader kan oppstå.

⚠ ADVARSEL: Maskinen må ALDRI brukes hvis den begynner å gå bare du trykker på startbryteren, uten at du må trykke på avsperringsknappen også. En skadet/ defekt bryter kan føre til at maskinen aktiveres utilsikket og alvorlige personskader kan oppstå. Returner maskinen til et Makita-servicesenter for å få den reparert FØR videre bruk.

OBS: Ikke press hardt på startbryteren uten å trykke inn AV-sperreknappen. Dette kan fi bryteren til å brekke.

Indikator for belastningsstatus

Indikatoren for belastningsstatus viser belastningsnivået på motoren under kapping. Når belastningen på motoren øker, øker antall tente lamper.

► Fig.7: 1. Indikator for belastningsstatus

Varsel om overbelastning

Hvis det blir for høy belastning på motoren, blinker alle lamper på indikatoren for belastningsstatus. Da må du redusere belastningen på motoren. Hvis du fortsetter å belaste motoren mens indikatoren for belastningsstatus blinker, vil verktøyet stoppe automatisk i noen sekunder på grunn av overbelastningsvern.

MERK: Hvis belastningen blir for stor umiddelbart, vil verktøyet stoppe automatisk uten at indikatoren for belastningsstatus blinker.

Avstand mellom skrustikke og føringsplate

⚠ FORSIKTIG: Etter at intervallet mellom skrustikken og føringsplaten er justert, må du passe på at føringsplaten er godt festet. Utilstrekkelig feste kan føre til personskader.

Skrustikken kan ha følgende intervallinnstillinger:

- 0 - 170 mm (originalinnstilling)
- 35 - 205 mm
- 70 - 240 mm

Hvis du skal utføre arbeid som krever andre innstillinger, gjør du følgende for å endre avstanden eller intervallet.

Løse skruen på den nederste føringsplaten. Flytt føringsplaten til ønsket posisjon og stram skruen.

► Fig.8: 1. Skru 2. Føringsplate

Justere skjærevinkelen

⚠️FORSIKTIG: Etter at føringsplatens vinkel er justert, må du passe på at føringsplaten er godt festet. Utilstrekkelig feste kan føre til personskader.

⚠️FORSIKTIG: Unngå å betjene verktøyet når materialet ikke er godt festet med skrustikken, på grunn av skjærevinkelen.

Vri spaken mot klokken. Flytt føringsplaten til ønsket vinkel og stram spaken helt.

► **Fig.9:** 1. Føringsplate 2. Spak

MERK: Målestokken på føringsplaten er kun en grov indikasjon. For en mer nøyaktig vinkel, bruk en gradmåler eller trekantlinjal. Hold håndtaket nede slik at sagbladet går inn i sagfoten. Juster samtidig vinkelen mellom føringsplaten og sagbladet med en gradmåler eller trekantlinjal.

Justering av gnistvernet

Landsspesifikk

Gnistvernet er fabrikkmontert med underkanten i berøring med foten. Hvis sagen brukes i denne posisjonen, vil det fly gnister. Løsne skruen og juster gnistvernet til en posisjon hvor det vil fly så lite gnister som mulig.

► **Fig.10:** 1. Skruer 2. Gnistvern

Elektronisk funksjon

Verktøy som er utstyrt med elektroniske funksjoner er enkle i bruk på grunn av følgende funksjon(er).

Mykstartfunksjon

Myk start fordi startrykket undertrykkes.

MONTERING

⚠️ADVARSEL: Forviss deg alltid om at maskinen er slått av og batteriet er fjernet før du utfører noe arbeid på maskinen. Hvis du unnlater å slå av støvsugeren og fjerne batteriet, kan det oppstå alvorlige personskader.

Åpne sikkerhetsvern med senterdeksel

Landsspesifikk

På verktøyet med sikkerhetsvern med senterdeksel må du løse klemmeskruen før du hever vernet.

► **Fig.11:** 1. Klemmeskrue

Åpne sikkerhetsvern for europeiske land

Landsspesifikk

På verktøyet med sikkerhetsvern for europeiske land må du løse klemmeskruen før du åpner vernet, som vist i figuren.

► **Fig.12:** 1. Klemmeskrue

► **Fig.13**

► **Fig.14**

Demontere eller montere kapphjulet

⚠️FORSIKTIG: Kontroller at du strammer klemmen godt. Utilstrekkelig stramming kan føre til alvorlige skader.

⚠️FORSIKTIG: Bruk alltid riktige indre og ytre flenser som leveres sammen med dette verktøyet.

⚠️FORSIKTIG: Senk alltid sikkerhetsvernet når du har byttet kappeskiven.

⚠️FORSIKTIG: Bruk hansker når du håndterer skivene.

Hev sikkerhetsvernet. Drei klemmen mot urviseren mens du holder spindellåsen nede. Fjern så klemmen, den ytre flensen og kappeskiven. Du må ikke fjerne den indre flensen og, ringen og o-ringen når du tar av kappeskiven.

► **Fig.15:** 1. Spindellås 2. Klemme

► **Fig.16:** 1. Indre flens 2. Ring 3. O-ring
4. Kappeskive 5. Ytre flens 6. Klemme

Monter kappeskiven ved å følge fremgangsmåten for demontering i motsatt rekkefølge. Pass på at ringen går gjennom huller i kappeskiven, og sett på sikkerhetsvernet igjen.

BRUK

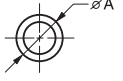
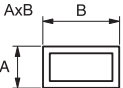
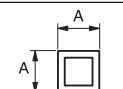
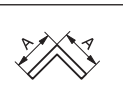
⚠️FORSIKTIG: Riktig hendeltrykk under saging og maksimal skjæreeffekt kan bestemmes av mengden gnister som produseres under skjæring. Ikke tving frem kuttet ved å bruke makt på hendelen. Redusert skjæreeffekt, tidlig slitasje og mulige skader på verktøyet, kappbladet eller arbeids-emnet kan være resultatet.

Hold hendelen godt fast. Slå på verktøyet, og vent til kappeskiven oppnår full hastighet før du senker det forsiktig inn i kuttet. Når kappeskiven kommer i kontakt med arbeidsemnet, må du trykke ned hendelen gradvis for å gjennomføre kuttet. Når kuttet er ferdig, må du slå av verktøyet og vente til kappeskiven har stoppet helt før du hever hendelen helt opp igjen.

Skjærekapasitet

Maks. skjærekapasitet varierer avhengig av skjærevinkel og formen på arbeidsemnet.

Maks. skjærekapasitet med en helt ny kappeskive

Kappevinkel / arbeidsemnets form	90°	45°
	ø 127 mm	ø 127 mm
	115 x 130 mm 102 x 194 mm 70 x 233 mm	115 x 103 mm
	119 x 119 mm	106 x 106 mm
	137 x 137 mm	100 x 100 mm

MERK: Det anbefales at arbeidsemnet er tynnere enn 1,6 mm når du kapper med dette verktøyet.

Sikre arbeidsemne

⚠FORSIKTIG: Sett alltid gjengeholderen på akselgjengene når du fester arbeidsemnet. Gjør du ikke det, kan arbeidsemnet være for dårlig sikret. Dette kan føre til at arbeidsemnet skytes ut, eller forårsake en farlig skade på kappeskiven.

Skrustikkeplaten kan raskt flyttes inn og ut mens gjengeholderen løftes. Fest arbeidsemnet ved å dytte håndtaket til skrustikkeplaten er i kontakt med arbeidsemnet, og før gjengeholderen tilbake. Drei håndtaket med urviseren til arbeidsemnet er godt festet.

► **Fig.17:** 1. Håndtak 2. Gjengeholder 3. Skrustikkeplate

Når kappbladet er svært slitt, må du sette en avstandskloss bak arbeidsemnet, som vist i figuren. Du kan gjøre mer effektiv nytte av det slitte bladet ved å bruke midtpunktet i utkanten av bladet til å skjære arbeidsemnet. Bruk en solid avstandskloss av ikke brennbar materiale.

► **Fig.18:** 1. Avstandskloss

Når du sager arbeidsemner med over 85 mm bredde i vinkel, må du feste en rett trebit (avstandskloss) som er over 190 mm lang x 40 mm bred til føringsplaten som vist i figuren. Fest denne avstandsklossen med skruer gjennom hullene i føringsplaten. Pass på at kappeskiven ikke kommer i kontakt med avstandsklossen når verktøyhodet trykkes ned.

► **Fig.19:** 1. Føringsplate 2. Avstandskloss (over 190 mm lang x40 mm bred) 3. Arbeidsemne (over 85 mm bred) 4. Skrustikkeplate

OBS: Når du bruker en avstandskloss, installerer du føringsplaten i posisjonen nærmest halsen på verktøyhodet.

► **Fig.20**

Når kappeskiven er svært slitt, må du heve kappestillingen med en avstandskloss som er litt smalere enn arbeidsemnet, som vist i figuren. Dette vil hjelpe deg med å bruke kappeskiven på en økonomisk måte.

► **Fig.21:** 1. Skrustikkeplate 2. Arbeidsemnets diameter 3. Føringsplate 4. Avstandsklossens bredde

Lange arbeidsemner må støttes av klosser på begge sider, slik at det ligger på nivå med toppen på foten. Bruk klosser av ikke brennbar materiale som støtte.

► **Fig.22:** 1. Støttekloss

Bærbart verktøy

Før du bærer kappsagen, må du ta ut batteriet, bøye ned verktøyhodet og deretter låse det. Verktøyet må alltid bæres i håndtaket.

► **Fig.23**

VEDLIKEHOLD

⚠FORSIKTIG: Forviss deg alltid om at maskinen er slått av og batteriet tatt ut før du foretar inspeksjon eller vedlikehold.

OBS: Aldri bruk gasolin, bensin, tynner alkohol eller lignende. Det kan føre til misfarging, deformering eller sprekke dannelse.

Før å opprettholde produktets SIKKERHET og PÅLITELIGHET, må reparasjoner, vedlikehold og justeringer utføres av autoriserte Makita servicesentre eller fabrikk servicesentre, og det må alltid brukes reservedeler fra Makita.

VALGFRITT TILBEHØR

⚠FORSIKTIG: Det anbefales at du bruker dette tilbehøret eller verktøyet sammen med den Makita-maskinen som er spesifisert i denne håndboken. Bruk av annet tilbehør eller verktøy kan forårsake personskader. Tilbehør og verktøy må kun brukes til det formålet det er beregnet på.

Ta kontakt med ditt lokale Makita-servicesenter hvis du trenger mer informasjon om dette tilbehøret.

- Kapphjul med slippeeffekt
- Makita originalbatteri og lader

MERK: Enkelte elementer i listen kan være inkludert som standardtilbehør i verktøypakken. Elementene kan variere fra land til land.

TEKNISET TIEDOT

Malli:	DLW140	
Laikan halkaisija	355 mm	
Reiän halkaisija	25,4 mm	
Laikan suurin paksuus	3 mm	
Kuormittamaton kierrosnopeus	3 800 min ⁻¹	
Nimellisjännite	DC 36 V	
Mitat (P x L x K)	Eurooppalaisella suojustyypillä	537 mm x 290 mm x 640 mm
	Muulla kuin eurooppalaisella suojustyypillä	537 mm x 280 mm x 640 mm
	Keskiökuputyypisellä suojuksella	537 mm x 280 mm x 640 mm
Nettopaino	Eurooppalaisella suojustyypillä	17,2 - 17,8 kg
	Muulla kuin eurooppalaisella suojustyypillä	15,6 - 16,3 kg
	Keskiökuputyypisellä suojuksella	15,4 - 16,0 kg

- Jatkuvasta tutkimus- ja kehitystyöstämme johtuen esitetyt tekniset tiedot saattavat muuttua ilman erillistä ilmoitusta.
- Tekniset tiedot voivat vaihdella maittain.
- Paino voi olla erilainen lisävarusteista sekä akusta johtuen. EPTA-menetellytavan 01/2014 mukaisesti, taulukossa on kuvattu kevyin ja painavin laiteyhdistelmä.
- Muoto ja paino vaihtelevat maakohtaisten määrittelyjen mukaan.

Käytettävä akkupaketti ja laturi

Akkupaketti	BL1815N / BL1820 / BL1820B / BL1830 / BL1830B / BL1840 / BL1840B / BL1850 / BL1850B / BL1860B
Laturi	DC18RC / DC18RD / DC18RE / DC18SD / DC18SE / DC18SF

- Tiettyjä yläpuolella kuvattuja akkuja ja latureita ei ehkä ole saatavana asuinalueestasi johtuen.

VAROITUS: Käytä vain edellä eriteltyjä akkupaketteja ja latureita. Muiden akkupakettien ja laturien käyttäminen voi aiheuttaa loukkaantumisen ja/tai tulipalon.

Käyttötarkoitus

Tätä työkalua käytetään metallin leikkaamiseen tarkoitukseen sopivilla katkaisulaikoilla. Noudata kaikkia maasi pölyä ja työturvallisuutta koskevia lakeja ja määräyksiä.

Melutaso

Tyypillinen A-painotettu melutaso määrittyy standardin EN62841-3-10 mukaan:

Äänenpainetaso (L_{pA}): 103 dB (A)
 Äänen voiman taso (L_{WA}): 115 dB (A)
 Virhemarginaali (K): 3 dB (A)

VAROITUS: Käytä kuulosuojaimia.

Tärinä

Kokonaistärinä (kolmen akselin vektorien summa) määrittyy standardin EN62841-3-10 mukaan:
 Tärinäpäästö (a_h): 2,5 m/s²
 Virhemarginaali (K): 1,5 m/s²

HUOMAA: Ilmoitettu tärinäpäästöarvo on mitattu standarditestausten mukaisesti, ja sen avulla voidaan vertailla työkaluja keskenään.

HUOMAA: Ilmoitettua tärinäpäästöarvoa voidaan käyttää myös altistumisen alustavaan arviointiin.

VAROITUS: Työkalun käytön aikana mitattu todellinen tärinäpäästöarvo voi poiketa ilmoitetusta tärinäpäästöarvosta työkalun käyttötavan mukaan.

VAROITUS: Selvitä käyttäjän suojaamiseksi tarvittavat varoimet todellisissa käyttöolosuhteissa tapahtuvan arvioidun altistumisen mukaisesti (ottaen huomioon käyttöjaksokokonaisuudessaan, myös jaksot, joiden aikana työkalu on sammutettuna tai käy tyhjäkäynnillä).

EY-vaatimustenmukaisuusvakuutus

Koskee vain Euroopan maita

EY-vaatimustenmukaisuusvakuutus on liitetty tähän käyttöoppaaseen.

TURVAVAROITUKSET

Sähkötyökalujen käyttöä koskevat yleiset varoitukset

VAROITUS: Tutustu kaikkiin tämän sähkötyökalun mukana toimitettuihin varoituksiin, ohjeisiin, kuviin ja teknisiin tietoihin. Seuraavassa lueteltujen ohjeiden noudattamatta jättäminen saattaa johtaa sähköiskuun, tulipaloon tai vakavaan vammautumiseen.

Säilytä varoitukset ja ohjeet tulevaa käyttöä varten.

Varoituksissa käytettävällä termillä ”sähkötyökalu” tarkoitetaan joko verkkovirtaa käyttävää (johdollista) työkalua tai akkukäyttöistä (johdotonta) työkalua.

Leikkurin turvaohjeet

- Asetu siten, että sinä itse tai kukaan sivullinen ei ole pyörivän laikan kanssa samassa tasossa.** Suoja suojaava käyttäjää rikkoutuneen laikan sirpaleilta ja estää koskettamasta laikkaa vahingossa.
 - Käytä ainoastaan tähän sähkötyökaluun tarkoitettuja vahvistettuja katkaisulaikkoja.** Vaikka lisävarusteiden voikin kiinnittää sähkötyökaluun, sen käyttö ei silti välttämättä ole turvallista.
 - Lisävarusteiden määrätyn nopeuden täytyy olla ainakin samanvertainen sähkötyökalussa osoitetun enimmäisnopeuden kanssa.** Sellaiset lisävarusteet, jotka toimivat nopeammin, kuin määritetty nopeus, voivat rikkoutua ja sinkoutua erilleen.
 - Laikvoja saa käyttää vain niille suositeltuun käyttötarkoitukseen.** Esimerkki: älä käytä katkaisulaikan sivua hionemiseen. Katkaisulaikkaa käytettäessä hionta tapahtuu vain laikan kehällä. Sivuttaisvoimat voivat rikkoa laikan.
 - Käytä aina ehjiä laikkalaiippoja, joiden läpimitä vastaa valittua laikkaa.** Oikeantyyppiset laikkalaiopat tukevat laikkaa ja pienentävät näin laikan rikkoutumisriskiä.
 - Lisävarusteesi ulkohalkaisijan ja paksuuden on oltava tehokoneesi määritetyn kapasiteetin sisällä.** Väärin mitoitettuja lisävarusteita ei voida suojata tai ohjata sopivasti.
 - Laikkojen ja laippojen reikäkokojen täytyy sopia työkalun karaan täsmälleen.** Laiikat ja laipat, joiden reiitys ei vastaa työkalun kiinnitysosaa, toimivat epätasapainossa, värähtelevät liikaa ja saattavat aiheuttaa hallinnan menetyksen.
 - Älä käytä viallisia laikvoja.** Tarkasta ennen jokaista käyttökertaa, ettei laikoissa ei ole lohkeamia tai halkeamia. Jos sähkötyökalu tai laikka pääsee putoamaan, tarkista sen kunto tai vaihda laikka ehjään. Asetu laikan tarkastuksen ja asennuksen jälkeen siten, että sinä itse tai kukaan sivullinen ei ole pyörivän laikan kanssa samassa tasossa, ja käytä laitetta sitten suurimmalla kuormittamattomalla nopeudella yhden minuutin ajan. Vialliset laikat rikkoontuvat yleensä tämän koeajan aikana.
 - Käytä suojarusteita.** Käytä käyttötarkoitukseen mukaisesti kasvosuojusta, suojalaseja tai sivusuojilla varustettuja laseja. Käytä tarvittaessa hengityssuojainta, kuulosuojaimia, hansikkaita ja työessua, joka suojaaa pieniltä sirpaleilta. Suojalasiensa täytyy suojata kaikenlaisista töistä aiheutuvilta lentäviltä sirpaleilta. Hengityssuojaimen täytyy suodattaa työskentelyn tuottamat hiukkaset. Pitkäaikainen altistuminen voimakkaalle melulle voi vahingoittaa kuuloa.
 - Pidä sivulliset turvallisen välimatkan päässä työalueelta.** Kaikkien työskentelyalueelle tulevien on käytettävä suojarusteita. Työkappaleen tai rikkoutuneen laikan sirpaleet voivat sinkoutua ja aiheuttaa onnettomuuden muuallakin kuin käyttökohteen välittömässä läheisyydessä.
 - Puhdista työkalun ilma-aukot säännöllisesti.** Moottorin tuuletin voi imeä pölyä koteloon ja metallijauheen kerääntyminen laitteeseen voi aiheuttaa sähköiskuvaaran.
 - Älä käytä sähkötyökalua tulenarkojen materiaalien lähellä.** Älä käytä sähkötyökalua palavan pinnan päällä, kuten esimerkiksi puun. Kipinät voivat sytyttää nämä materiaalit.
 - Älä käytä sellaisia lisävarusteita, jotka vaativat jäähdytysnesteitä.** Jos käytät vettä tai muita jäähdytysnesteitä, ne voivat aiheuttaa sähkötapaturman tai -iskun.
- ### Takapotku ja siihen liittyvät varoitukset
- Takapotku on kiinni juuttuneen laikan aiheuttama äkillinen sysäys. Kiinni juuttuminen tai takertelu pysäyttää pyörivän laikan äkkinäisesti, mikä puolestaan alkaa pakottaa leikkulaitetta hallitsemattomasti nousemaan käyttäjää kohti. Jos laikka esimerkiksi juuttuu työkappaleeseen, juuttumiskohtaan pureutumissa oleva laikka voi tunkeutua kappaleen pintaan, jolloin se kiipeää ylös tai potkaisee taaksepäin. Hiomalaikat voivat myös rikkoutua näissä tilanteissa. Takapotku johtuu sähkötyökalun virheellisestä käytöstä ja/tai käyttötavasta tai olosuhteista. Takapotku voidaan välttää seuraavien varotoimien avulla.
- Pitele sähkötyökalusta tukevasti kiinni ja asetu seläläiseen asentoon, että voit vastustaa takapotkun voimaa.** Käyttäjä voi hallita ylöspäin suuntautuvan takapotkun voimia, jos hän varautuu niihin asianmukaisesti.
 - Älä asetu pyörivän laikan kanssa samaan linjaan.** Kun takapotku tapahtuu, se sysää leikkulaitteen ylöspäin käyttäjää kohden.
 - Älä käytä laitteessa moottorisahan teräketjua, puunleikkuterää, halkaisijaltaan yli 10 mm:n kokoista segmentoitua timanttilaikkaa tai hammastettua sahanterää.** Tällaiset terät aiheuttavat usein takapotkuja ja hallinnan menettämisen.
 - Älä anna laikan juuttua paikalleen äläkä paina laitetta liian voimakkaasti.** Älä yritä tehdä liian syvää uraa. Laikan liiallinen painaminen lisää kuormitusta ja laikan vääntymis- tai juuttumisriskiä, jolloin seurauksena voi olla takapotku tai laikan rikkoutuminen.
 - Kun laikka takertelee tai työ joudutaan jostakin syystä keskeyttämään, katkaise sähkötyökalusta virta ja pidä leikkulaitetta paikoillaan, kunnes laikka on täysin pysähtynyt.** Älä koskaan yritä irrottaa laikkaa urasta, kun laikka vielä pyörii, koska seurauksena voi olla takapotku. Selvitä laikan takertelun syy ja poista juuttumisen aiheutumisen syy.

6. Älä käynnistä laitetta niin, että se on kiinni työkappaleessa. Anna laikan savuttaa täysi pyörimisnopeus ja työnnä laikka sitten varovasti leikkuu-uraan. Jos sähkötyökalu käynnistetään niin, että se on kiinni työkappaleessa, laikka voi juuttua, työntyä taaksepäin tai ponnahtaa ylös.
7. Vähennä laikan taketelu- ja takapotkuriskiä tukemalla ylisuuret työkappaleet huolellisesti. Suurikokoiset työkappaleet pyrkivät taipumaan omasta painostaan. Työkappale on tuettava laikan kummaltakin puolelta leikkuulinjan vierestä ja työkappaleen reunoilta.

Turvallisuutta koskevia lisävaroituksia

1. Varo lentäviä kipinöitä käytön aikana. Ne voivat aiheuttaa onnettomuuden tai syyttää tulenaran materiaalin palamaan.
2. Kiinnitä työ. Kiinnitä työ puristimilla tai ruuvi-**penkillä, kun käytännöllistä.** Se on turvallisempaa kuin käsin työskentely ja vapauttaa molemmat kädet työkalun käyttöön.
3. Kiinnitä katkaisulaikka huolellisesti.
4. Ole varovainen, etet vahingoita karaa, laippoja (erityisesti asennuspintaa) tai pulttia, jottei itse katkaisulaikka rikkoudu.
5. Pidä suojukset paikoillaan ja hyvässä kunnossa työskentelyä varten.
6. Ota koneesta luja ote.
7. Pidä kädet loitolla pyörivistä osista.
8. Varmista, ettei katkaisulaikka kosketa työkalupalletta, ennen kuin painat kytintä.
9. Tarkista laikka ennen jokaista käyttökertaa liiallisen huojumisen ja värinän varalta. Tämä saattaa johtua huonosta asennuksesta tai laikan huonosta tasapainotuksesta.
10. Poista alueelta materiaali ja jätteet, jotka voivat helposti syttyä kipinöistä. Varmista, ettei ketään ole kipinöiden reitillä. Pidä lähettyvillä kunnollinen ja täysi palosammutin.
11. Jos katkaisulaikka pysähtyy käytön aikana, pidä epänormaalia ääntä tai alkaa tärinästä, sammuta työkalu välittömästi.
12. Sammuta aina virta ja odota, että katkaisulaikka pysähtyy täysin, ennen kuin alat irrottaa, varmistaa työkalupalletta tai ruuvi-**penkkiä, vaihtaa työasentoa, kulmaa tai itse katkaisulaikkaa.**
13. Älä kosketa työkalupalletta välittömästi käytön jälkeen, sillä se on erittäin kuuma ja saattaa polttaa ihoa.
14. Säilytä laikkoja vain kuivissa tiloissa.

SÄILYTÄ NÄMÄ OHJEET.

Akkupakettia koskevia tärkeitä turvaohjeita

1. Ennen akun käyttöönottoa tutustu kaikkiin laturissa (1), akussa (2) ja akkukäyttöisessä tuotteessa (3) oleviin varoitusteksteihin.
2. Älä pura akkua.
3. Jos akun toiminta-aika lyhenee merkittävästi, lopeta akun käyttö. Seurauksena voi olla ylikuumeneminen, palovammoja tai jopa räjähdys.
4. Jos akkuneustettä pääsee silmiin, huuhtelee puhtaalla vedellä ja hakeudu välittömästi lääkäriin hoitoon. Akkuneuste voi aiheuttaa näön menetyksen.

5. Älä oikosulje akkua.

- (1) Älä koske akun napoihin millään sähköä johtavalla materiaaalilla.
- (2) Vältä akun oikosulkemista äläkä säilytä akkua yhdessä muiden metalliesineiden, kuten naulojen, kolikoiden ja niin edelleen kanssa.
- (3) Älä aseta akkua alttiiksi vedelle tai sateelle.

Oikosulku voi aiheuttaa virtapiikin, ylikuumenemista, palovammoja tai laitteen rikkoontumisen.

6. Älä säilytä työkalua ja akkua paikassa, jossa lämpötila voi nousta 50 °C:een tai sitäkin korkeammaksi.
7. Älä hävitä akkua polttamalla, vaikka se olisi pahoin vaurioitunut tai täysin loppuun kulunut. Avotuli voi aiheuttaa akun räjähtämisen.
8. Varo kolhimasta tai pudottamasta akkua.
9. Älä käytä viallista akkua.
10. Sisältyviä litium-ioni-akkuja koskevat vaarallisten aineiden lainsäädännön vaatimukset. Esimerkiksi kolmansien osapuolten huolintaliikkeiden tulee kaupallisissa kuljetuksissa noudattaa pakkaamista ja merkintöjä koskevia erityisvaatimuksia. Lähetettävän tuotteen valmistelu edellyttää vaarallisten aineiden asiantuntijan neuvontaa. Huomioi myös mahdollisesti yksityiskohtaisemmat kansalliset määräykset. Akun avoimet liittimet tulee suojata teipillä tai suojuksella ja pakkaaminen tulee tehdä niin, ettei akku voi liikkua pakkauksessa.
11. Hävitä akku paikallisten määräysten mukaisesti.
12. Käytä akkua vain Makitan ilmoittamien tuotteiden kanssa. Akkujen asentaminen yhteensopimattomiin tuotteisiin voi aiheuttaa tulipalon, liiallisen ylikuumenemisen, räjähdysen tai akkuneustevuotoja.

SÄILYTÄ NÄMÄ OHJEET.

⚠HUOMIO: Käytä vain alkuperäisiä Makita-akkuja. Muiden kuin aitojen Makita-akkujen, tai mahdollisesti muutettujen akkujen käyttö voi johtaa akun murtumiseen ja aiheuttaa tulipaloja, henkilö- ja omaisuusvahinkoja. Se mitätöi myös Makita-työkalun ja -laturin Makita-takuun.

Vihjeitä akun käyttöön pidentämiseksi

1. Lataa akku ennen kuin se purkautuu täysin. Lopeta aina työkalun käyttö ja lataa akku, jos huomaat työkalun tehon vähenevän.
2. Älä koskaan lataa uudestaan täysin ladattua akkua. Yililataaminen lyhentää akun käyttöikää.
3. Lataa akku huoneen lämpötilassa välillä 10 °C - 40 °C. Anna kuuman akun jäähtyä ennen lataamista.
4. Lataa akkupaketti, jos et käytä sitä pitkään aikaan (yli kuusi kuukautta).

ASENNUS

VAROITUS: Tämä työkalu tuottaa työkapaleita leikattaessa kipinöitä. Älä asenna tätä työkalua paikkaan, missä syttyvät ja/tai räjähtävät aineet saattavat syttyä työkalun kipinästä. Varmista myös, ettei tällaista materiaalia ole työkalun lähellä ennen käytön aloittamista.

Pohjan varmistaminen

Työkalu tulee pultata kahdella pultilla tasaiselle pinnalle käyttäen laitteen pohjassa olevia pulttinreikiä. Tämä estää kaatumisen ja mahdolliset henkilövammat.

► **Kuva1:** 1. Pulttinreiat 2. Alusta

TOIMINTOJEN KUVAUS

VAROITUS: Varmista aina ennen säätöjä tai tarkastuksia, että laite on sammutettu ja akku on irrotettu. Jos virtaa ei katkaista eikä akku irroteta, työkalu voi käynnistyä vahingossa ja aiheuttaa vakavan tapaturman.

Työkalun pään lukituksen avaaminen/lukitseminen

Työkalun pää voidaan lukita. Lukitse työkalun pää aina kun sitä ei käytetä tai kun sitä kannetaan.

Avaa lukitus painamalla kevyesti työkalun päätä ja painamalla lukitustappia. Lukitse palauttamalla lukitustappi paikoilleen pitäen samalla työkalun päätä alhaalla.

► **Kuva2:** 1. Lukitustappi

Akun asentaminen tai irrottaminen

HUOMIO: Sammuta työkalu aina ennen akun kiinnittämistä tai irrottamista.

HUOMIO: Pidä työkalusta ja akusta tiukasti kiinni, kun irrotat tai kiinnität akkua. Jos akkupaketti tai työkalu putoaa, ne voivat vaurioitua tai aiheuttaa tapaturman.

► **Kuva3:** 1. Punainen merkkivalo 2. Painike 3. Akkupaketti

Irrota akku painamalla akun etupuolella olevaa painiketta ja vetämällä akku ulos työkalusta.

Akku liitetään sovitamalla akun kieleke rungon uraan ja työntämällä se sitten paikoilleen. Työnnä akku pohjaan asti niin, että kuulet sen napsahdavan paikoilleen. Jos painikkeen yläpuolella näkyy punainen ilmaisin, akku ei ole lukkiutunut täysin paikoilleen.

HUOMIO: Työnnä akku aina pohjaan asti, niin että punainen ilmaisin ei enää näy. Jos akku ei ole kunnolla paikallaan, se voi pudota työkalusta ja aiheuttaa vammoja joko sinulle tai sivullisille.

HUOMIO: Älä käytä voimaa akun asennuksessa. Jos akku ei liu'u paikalleen helposti, se on väärässä asennossa.

HUOMAA: Työkalu ei toimi yhdellä akulla.

Työkalun/akun suojausjärjestelmä

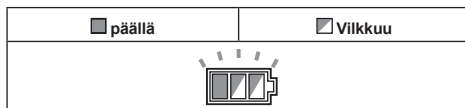
Työkalu on varustettu työkalu/akun suojausjärjestelmällä. Tämä järjestelmä pidentää työkalun ja akun käyttöikää katkaisemalla automaattisesti moottorin virran. Työkalu pysähtyy automaattisesti kesken käytön, jos työkalussa tai akussa ilmenee jokin seuraavista tilanteista: Joissakin tilanteissa merkkivalot syttyvät.

Ylikuormitussuoja

Kun akku käytetään tavalla, joka saa sen kuluttamaan epätavallisen suuren määrän virtaa, laite pysähtyy automaattisesti. Katkaise tässä tilanteessa laitteesta virta ja lopeta ylikuormitustilan aiheuttanut käyttö. Käynnistä sitten laite uudelleen kytkemällä siihen virta.

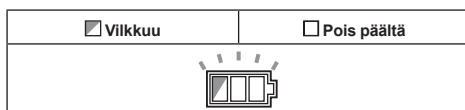
Ylikuumenemissuoja

Kun laite ylikuumentuu, se pysähtyy automaattisesti ja akun merkkivalo vilkkuu noin 60 sekunnin ajan. Tässä tapauksessa anna laitteen jäähtyä, ennen kuin kytket sen uudelleen päälle.



Ylipurkautumissuoja

Kun akun kapasiteetti laskee pieneksi, työkalu pysähtyy automaattisesti ja akkupaketin tyhjenemisen merkkivalo alkaa vilkkuu. Jos tuote ei toimi, vaikka kytkimiä käytetään, irrota tyhjentynyt akkupaketti työkalusta ja lataa akkupaketti.



Akun jäljellä olevan varaustason ilmaisin

► **Kuva4:** 1. Akun merkkivalo 2. Tarkistuspainike

Painamalla tarkistuspainiketta saat näkyviin akun varaustason. Kumpikin akku ilmaisin vastaa yhtä akkua.

Akun merkkivalon tila			Akussa jäljellä oleva varaus
<input type="checkbox"/> Päällä	<input type="checkbox"/> Pois päältä	<input type="checkbox"/> Vilkkuu	
			50 % - 100 %
			20 % - 50 %
			0 % - 20 %
			Lataa akku

Akun jäljellä olevan varaustason ilmaisin

Vain akkupaketeille ilmaisimella

► Kuva5: 1. Merkkivalot 2. Tarkistuspainike

Painamalla tarkistuspainiketta saat näkyviin akun jäljellä olevan varauksen. Merkkivalot palavat muutaman sekunnin ajan.

Merkkivalot			Akussa jäljellä olevan varaus
Palaa	Pois päältä	Viilkuu	
■	□	▤	75% - 100%
■ ■ ■ ■			
■ ■ ■ □			50% - 75%
■ ■ □ □			25% - 50%
■ □ □ □			0% - 25%
▤ □ □ □			Lataa akku.
■ ■ □ □	↑ ↓	□ □ ■ ■	Akussa on saattanut olla toimintahäiriö.

HUOMAA: Ilmoitettu varaustaso voi erota hieman todellisesta varaustasosta sen mukaan, millaisissa oloissa ja missä lämpötilassa laitetta käytetään.

Kytkimen käyttäminen

VAROITUS: Tarkista aina ennen akkupaketin asettamista työkaluun, että liipaisinkytkin kytketty oikein ja palaa "OFF"-asentoon, kun se vapautetaan.

► Kuva6: 1. Vapautuspainike 2. Liipaisinkytkin

Lukituksen vapautusnappi ehkäisee liipaisinkytkimen tahattoman vetämisen. Käynnistä työkalu painamalla vapautuspainiketta ja vetämällä liipaisinkytkimestä. Pysäytä vapauttamalla liipaisinkytkin.

VAROITUS: ÄLÄ KOSKAAN ohita lukituksen vapautuspainiketta teippaamalla sitä kiinni tai muulla tavoin. Jos kytkimen lukituksen vapautuspainike vapautetaan, laite saattaa käynnistyä vahingossa, mistä voi seurata vakava henkilövahinko.

VAROITUS: ÄLÄ KOSKAAN käytä sahaa, jos se käynnistyy pelkästään liipaisinkytkintä painamalla ilman, että painaisit lukituksen vapautuspainiketta. Jos kytkin on viallinen, laite saattaa käynnistyä vahingossa, mistä voi seurata vakava henkilövahinko. Toimita työkalu Makita-huoltoon korjattavaksi ENNEN kuin jatkat käyttöä.

HUOMAUTUS: Älä vedä kytkimen liipaisinta voimakkaasti, ellet samalla paina lukituksen vapautusnappia. Kytkin voi rikkoutua.

Kuormituksen ilmaisin

Kuormituksen ilmaisin näyttää, miten suuri moottorin kuormitus on leikkauksen aikana. Merkkivaloja palaa sitä enemmän, mitä suurempi moottorin kuormitus on.

► Kuva7: 1. Kuormituksen ilmaisin

Ylikuormituksen hälytys

Jos moottoria käytetään liian suurella kuormituksella kuormituksen ilmaisimen kaikki merkkivalot alkavat vilkkua. Pienennä tällöin moottorin kuormitusta. Jos jatkat moottorin kuormittamista kuormituksen ilmaisimen vilkkuessa, ylikuormitusuojaus pysäyttää työkalun automaattisesti muutaman sekunnin kuluttua.

HUOMAA: Jos ylisuuri kuormitus alkaa välittömästi, työkalu pysähtyy välittömästi ilman, että kuormituksen ilmaisin ehtii vilkkua.

Ruuvipuristimen ja ohjainlevyn välinen etäisyys

HUOMIO: Kun olet säätänyt ruuvipuristimen ja ohjainlevyn välisen etäisyyden, varmista, että ohjainlevy on kunnolla kiinni. Ellei sitä ole kiinnitetty asianmukaisesti, seurauksena saattaa olla henkilövahinkoja.

Seuraavia ruuvipuristimen välin asetuksia voidaan käyttää:

- 0 - 170 mm (alkuperäinen asetus)
- 35 - 205 mm
- 70 - 240 mm

Jos työsi vaatii erilaista asetusta, muuta etäisyyttä tai väliä seuraavalla tavalla.

Löysää ohjainlevyn ruuvi. Siirrä ohjainlevy haluttuun asentoon ja kiristä sitten ruuvi.

► Kuva8: 1. Ruuvi 2. Ohjainlevy

Leikkuukulman säätö

HUOMIO: Kun olet säätänyt ohjainlevyn kulman, varmista, että ohjainlevy on kunnolla kiinni. Ellei sitä ole kiinnitetty asianmukaisesti, seurauksena saattaa olla henkilövahinkoja.

HUOMIO: Johtuen leikkauskulmasta, älä käytä työkalua, kun materiaalia ei ole kunnolla kiinnitetty ruuvipenkkiin.

Kierrä vipua vastapäivään. Siirrä ohjainlevy haluttuun kulmaan ja kiristä vipu täysin.

► Kuva9: 1. Ohjainlevy 2. Vipu

HUOMAA: Ohjainlevyn asteikko on vain likimääräinen. Kulman voi määrittää tarkasti astelevyllä tai kolmioviivaimella. Pidä kahvaa alhaalla niin, että katkaisulaikka ulottuu pohjaan. Säädä samalla ohjainlevyn ja katkaisulaikan kulmaa astelevyllä tai kolmioviivaimella.

Kipinäsuojuksen säätö

Maakohtainen

Kipinäsuojus on asennettu tehtaalla siten, että sen alempi reuna koskettaa pohjaa. Työkalun käyttö tässä asennossa aiheuttaa kipinöiden lentelyn ympäriinsä. Löysää ruuvia ja säädä kipinäsuojus sellaiseen asentoon, missä kipinöitä lentee vähiten.

► **Kuva10:** 1. Ruuvi 2. Kipinäsuojus

Sähköinen toiminta

Sähköisiä toimintoja sisältäviä laitteita on helppo käyttää seuraavien ominaisuuksien ansiosta.

Pehmeä käynnisty

Laite käynnistyy pehmeästi vaimentuneen käynnistysnykäyksen johdosta.

KOKOONPANO

VAROITUS: Varmista aina ennen kaikkia kunnossapitotoimia, että laite on sammutettu ja akku on irrotettu. Jos laitetta ei sammuteta eikä akkupakettia irroteta, seurauksena voi olla vakava henkilövahinko.

Keskiökuputyypin suojuksen avaaminen

Maakohtainen

Keskiökuputyypisellä suojuksella varustetut työkalut: löysää ensin kiristysruuvi ja nosta sitten suojuksen.

► **Kuva11:** 1. Kiristysruuvi

Eurooppalaisen suojustyyppin avaaminen

Maakohtainen

Eurooppalaisella suojustyyppillä varustetut työkalut: löysää ensin kiristysruuvi ja avaa sitten suojuksen kuvan mukaan.

► **Kuva12:** 1. Kiristysruuvi

► **Kuva13**

► **Kuva14**

Katkaisulaikan irrotus tai kiinnitys

HUOMIO: Varmista, että käsikiristin on kiinnitetty pitävästi. Ellei sitä ole kiinnitetty asianmukaisesti, seurauksena saattaa olla vakavia vahinkoja.

HUOMIO: Käytä ainoastaan työkalun mukana toimitettuja oikeita sisä- ja ulkolaippoja.

HUOMIO: Laske suojuksen aina katkaisulaikan vaihtamisen jälkeen.

HUOMIO: Käytä suojakäsineitä käsitellessäsi laikkoja.

Nosta suojuksen. Kierrä käsikiristintä vastapäivään pitäen samalla karan lukkoa alhaalla. Poista käsikiristin, ulompi laippa ja katkaisulaikka. Kun irrotat katkaisulaikkaa, älä poista sisälaippaa, rengasta tai O-rengasta.

► **Kuva15:** 1. Akselilukko 2. Käsikiristin

► **Kuva16:** 1. Sisälaippa 2. Rengas 3. O-rengas
4. Katkaisulaippa 5. Ulkolaippa
6. Käsikiristin

Asenna katkaisulaikka päinvastaisessa järjestyksessä. Varmista, että sovitat katkaisulaikan reiän renkaaseen ja että laitot suojuksen paikoilleen.

TYÖSKENTELY


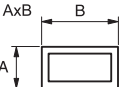
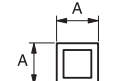

HUOMIO: Oikea kahvan paine leikkauksen aikana ja maksimi leikkausteho voidaan päätellä leikkauksen aikana syntyvien kipinöiden määräästä. Älä pakota leikkausta painamalla kahvaa liian voimakkaasti. Seurauksena voi olla vähentynyt leikkausteho, laikan ennenaikainen kuluminen sekä mahdollinen työkalun, katkaisulaikan tai työkalupaleen vahingoittuminen.

Ota kahvasta luja ote. Käynnistä työkalu ja odota, kunnes katkaisulaikka saavuttaa täyden nopeutensa, ennen kuin lasket sen leikkaukseen. Kun katkaisulaikka koskettaa työkalupaleta, suorita leikkaus antamalla sen vähitellen laskeutua alas. Kun leikkuu on valmis, sammuta työkalu ja odota, kunnes katkaisulaikka on täysin pysähtynyt. Palauta sen jälkeen kahva täysin kohotettuun asentoonsa.

Leikkuukapasiteetti

Maksimi leikkuukapasiteetti vaihtelee leikkuukulman ja työkalupaleen muodon mukaan.

Suurin leikkuukapasiteetti upoudella katkaisulaikalla

Leikkuukulma / Työkalupaleen muoto	90°	45°
	Ø 127 mm	Ø 127 mm
	115 x 130 mm 102 x 194 mm 70 x 233 mm	115 x 103 mm
	119 x 119 mm	106 x 106 mm
	137 x 137 mm	100 x 100 mm

HUOMAA: Tällä työkalulla suositellaan leikattavaksi enintään 1,6 mm:n paksuisia työkalupaleita.

Työkappaleen kiinnittäminen

⚠HUOMIO: Aseta aina kierrepidikke karan kierreeseen, kun kiinnität työstökappaleen. Ellei näin tehdä, työkappale ei ehkä ole kunnolla kiinni. Tämä voi aiheuttaa työkappaleen sinkoutumisen tai aiheuttaa katkaisulaikan vaarallisen rikkoutumisen.

Kun kierrepidikettä nostetaan, ruuvipuristimen levyä voidaan liikuttaa sisään ja ulos nopeasti. Tartu työkappaleeseen työntämällä kahvaa kunnes ruuvipuristimen levy koskettaa työkappaletta ja palauta sitten kierrepidikke. Käännä kahvaa myötäpäivään, kunnes työkappale pysyy paikallaan tukevasti.

► **Kuva17:** 1. Kahva 2. Kierrepidikke
3. Ruuvipuristimen levy

Kun katkaisulaikka on merkittävästi kulunut, käytä välikappaletta työkappaleen takana kuvan osoittamalla tavalla. Voit hyödyntää kulunutta laikkaa tehokkaammin käyttämällä sen kehässä olevaa keskipistettä työkappaleen leikkaamiseen. Käytä välikappaleena tukevaa ja syttymätöntä materiaalia.

► **Kuva18:** 1. Välikappale

Kun leikkaat yli 85 mm leveää työkappaletta kulmalla, kiinnitä ohjauslevyn suora yli 190 mm pitkä x 40 mm leveä puunpala (välikappale) kuvan osoittamalla tavalla. Kiinnitä tämä välikappale ohjainlevyssä olevien reikien läpi menevillä ruuveilla. Varmista, ettei katkaisulaikka työkalun päätä painettaessa kosketa välikappaletta.

► **Kuva19:** 1. Ohjainlevy 2. Välikappale (yli 190 mm pitkä x40 mm leveä) 3. Työkappale (yli 85 mm leveä) 4. Ruuvipuristimen levy

HUOMAUTUS: Jos käytät välikappaletta, asenna ohjainlevy mahdollisimman lähelle työkalun pään kaulaa.

► **Kuva20**

Kun katkaisulaikka on merkittävästi kulunut, nosta leikkuausentoa laittamalla vähän työkappaletta kapeampi välikappale kuvan osoittamalla tavalla. Tämä auttaa sinua hyödyntämään katkaisulaikkaa taloudellisesti.

► **Kuva21:** 1. Ruuvipuristimen levy 2. Työkappaleen halkaisija 3. Ohjainlevy 4. Välikappaleen leveys

Pitkiä työkappaleita täytyy tukea välikappaleilla molemmilta puolilta niin, että se on samalla tasolla alustan kanssa. Käytä tukikappaleina syttymätöntä materiaalia.

► **Kuva22:** 1. Tukikappale

Koneen kantaminen

Poista työkalusta akut, taita työkalun pää alas ja lukitse työkalu ennen sen kantamista. Pidä kahvasta kiinni, kun kannat työkalua.

► **Kuva23**

KUNNOSSAPITO

⚠HUOMIO: Varmista aina ennen tarkastusta tai huoltoa, että työkalu on sammutettu ja akku irrotettu.

HUOMAUTUS: Älä koskaan käytä bensiiniä, ohenteita, alkoholia tai tms. aineita. Muutoin pinta voi halkeilla tai sen värit ja muoto voivat muuttua. Muutoin laitteeseen voi tulla värjäytymiä, muodon vääristymiä tai halkeamia.

Tuotteen TURVALLISUUDEN ja LUOTETTAVUUDEN takaamiseksi korjaukset, muut huoltotyöt ja säädöt on teetettävä Makitan valtuutetussa huoltopisteessä Makitan varaosia käyttäen.

LISÄVARUSTEET

⚠HUOMIO: Seuraavia lisävarusteita tai laitteita suositellaan käytettäväksi tässä ohjeessa kuvatus Makita-työkalun kanssa. Muiden lisävarusteiden tai laitteiden käyttö voi aiheuttaa henkilövahinkoja. Käytä lisävarusteita ja -laitteita vain niiden käyttötarkoituksen mukaisesti.

Jos tarvitset apua tai yksityiskohtaisempia tietoja seuraavista lisävarusteista, ota yhteys paikalliseen Makitan huoltoon.

- Hiovat katkaisulaikat
- Aito Makitan akku ja laturi

HUOMAA: Jotkin luettelossa mainitut varusteet voivat sisältyä työkalun toimitukseen vakiovarusteina. Ne voivat vaihdella maittain.

SPECIFIKĀCIJAS

Modelis:		DLW140
Slīpripas diametrs		355 mm
Atveres diametrs		25,4 mm
Maks. slīpripas biezums		3 mm
Ātrums bez slodzes		3 800 min ⁻¹
Nominālais spriegums		Līdzstrāva 36 V
Izmēri (G × P × A)	Ar Eiropas standarta drošības aizsargu	537 mm x 290 mm x 640 mm
	Ar drošības aizsargu, kas atšķiras no Eiropas standarta	537 mm x 280 mm x 640 mm
	Ar vidus pārsegveida drošības aizsargu	537 mm x 280 mm x 640 mm
Neto svars	Ar Eiropas standarta drošības aizsargu	17,2 - 17,8 kg
	Ar drošības aizsargu, kas atšķiras no Eiropas standarta	15,6 - 16,3 kg
	Ar vidus pārsegveida drošības aizsargu	15,4 - 16,0 kg

- Nepārtrauktās izpētes un izstrādes programmas dēļ šeit uzrādītās specifikācijas var tikt mainītas bez brīdinājuma.
- Atkarībā no valsts specifikācijas var atšķirties.
- Svārs var būt atšķirīgs atkarībā no papildierīces (-ēm), tostarp akumulatora kasetnes. Tabulā ir attēlota vieglākā un smagākā kombinācija atbilstoši EPTA procedūrai 01/2014.
- Forma un svārs var atšķirties atbilstīgi specifikācijām, kas katrā valstī atšķiras.

Piemērotā akumulatora kasetne un lādētājs

Akumulatora kasetne	BL1815N / BL1820 / BL1820B / BL1830 / BL1830B / BL1840 / BL1840B / BL1850 / BL1850B / BL1860B
Lādētājs	DC18RC / DC18RD / DC18RE / DC18SD / DC18SE / DC18SF

- Daži no iepriekš norādītajiem lādētājiem un akumulatora kasetnēm var nebūt pieejami atkarībā no jūsu mītnes reģiona.

▲BRĪDINĀJUMS: Izmantojiet vienīgi iepriekš norādītās akumulatora kasetnes un lādētājus. Cita tipa akumulatora kasetņu un lādētāju izmantošana var radīt traumu un/vai aizdegšanās risku.

Paredzētā lietošana

Šis darbarīks paredzēts griešanai dzelzs materiālos ar piemērotu abrazīvu griezējripi. Ievērojiet savas valsts normatīvos aktus attiecībā uz putekļu piesārņojumu un darba zonas drošību un veselības aizsardzību.

Trokšņa līmenis

Tipiskais A svārtais trokšņa līmenis noteikts saskaņā ar EN62841-3-10:

Skaņas spiediena līmeni (L_{pA}): 103 dB (A)

Skaņas jaudas līmeni (L_{WA}): 115 dB (A)

Mainīgums (K): 3 dB (A)

▲BRĪDINĀJUMS: Lietojiet ausu aizsargus.

Vibrācija

Vibrācijas kopējā vērtība (trīsasu vektora summa)

noteikta atbilstoši EN62841-3-10:

Vibrācijas izmēte (a_{h1}): 2,5 m/s²

Mainīgums (K): 1,5 m/s²

PIEZĪME: Paziņotā vibrācijas emisijas vērtība noteikta atbilstoši standarta pārbaudes metodei un to var izmantot, lai salīdzinātu vienu darbarīku ar citu.

PIEZĪME: Paziņoto vibrācijas emisijas vērtību arī var izmantot iedarbības sākotnējā novērtējumā.

▲BRĪDINĀJUMS: Reāli lietojot elektrisko darbarīku, vibrācijas emisija var atšķirties no paziņotās emisijas vērtības atkarībā no darbarīka izmantošanas veida.

▲BRĪDINĀJUMS: Lai aizsargātu lietotāju, nosakiet drošības pasākumus, kas pamatoti ar iedarbību reālos darba apstākļos (ņemot vērā visus ekspluatācijas cikla posmus, piemēram, laiku, kamēr darbarīks ir izslēgts un kad darbojas tukšgaitā, kā arī palaides laiku).

EK atbilstības deklarācija

Tikai Eiropas valstīm

EK atbilstības deklarācija šajā lietošanas rokasgrāmatā ir iekļauta kā A pielikums.

DROŠĪBAS BRĪDINĀJUMI

Vispārīgi elektrisko darbarīku drošības brīdinājumi

▲BRĪDINĀJUMS: Izlasiet visus drošības brīdinājumus, instrukcijas, apskatiet ilustrācijas un tehniskos datus, kas iekļauti mehanizētā darbarīka komplektācijā. Ja netiek ievēroti visi tālāk minētie noteikumi, var tikt izraisīta elektrotrauma, notikt aizdegšanās un/vai rasties smagas traumas.

Glabāji visus brīdinājumus un norādījumus, lai varētu tajos ieskatīties turpmāk.

Termiņš „elektrisks darbarīks” brīdinājumus attiecas uz tādu elektrisko darbarīku, ko darbina ar elektrību (ar vadu), vai tādu, ko darbina ar akumulatoru (bez vada).

Drošības brīdinājumi griešanas ierīces lietošanai

1. **Izvēlieties tādu stāvokli, lai jūs un blakusstāvošie neatrastos rotējošās ripas plaknē.** Aizsargs palīdz pasargāt operatoru no salūzušās slīpripas daļām un nejaušas saskares ar slīpripu.
2. **Mehanizētajam darbarīkam izmantojiet tikai stiprinātu stiegru vai dimanta griešanas ripu.** Tas vien, ka piederumu var piestiprināt mehanizētajam darbarīkam, neparantē drošu lietošanu.
3. **Piederuma nominālajam ātrumam jābūt vismaz vienādam ar maksimālo ātrumu, kas atzīmēts uz mehanizētā darbarīka.** Piederumi, kas griežas ātrāk par nominālo ātrumu, var salūzt un tikt izsviesti.
4. **Slīpripas jāizmanto tikai paredzētajiem darbiem.** Piemēram: neslīpējiet ar griešanas ripas malu. Abrazīvās griešanas ripas paredzētas perifērai slīpēšanai, tāpēc, ja uz šīm ripām iedarbojas sānu spēks, tās var salūzt.

5. **Vienmēr izmantojiet nebojātus, izvēlētajai slīpripai atbilstoša diametra ripas atlokus.** Atbilstoši slīpripas atloki balsta slīpripu, tādējādi samazinot tās salūšanas iespēju.
6. **Piederuma ārējam diametram un biežumam jābūt mehanizētā darbarīka jaudas robežās.** Nepareiza izmēra piederums nav iespējams pietiekami uzmanīt vai vadīt.
7. **Ripu un atloku ar vārpstas atverēm lielumam jābūt atbilstošam mehanizētā darbarīka tapai.** Ripas un atloki ar vārpstas atverēm, kas neatbilst mehanizētā darbarīka stiprinājuma aprīkojumam, zaudēs centrējumu, pārmērīgi vibrēs un var izraisīt vadības zaudēšanu.
8. **Neizmantojiet bojātas slīpripas.** Pirms katras izmantošanas reizes pārbaudiet, vai slīpripai nav robi vai plaisas. Ja mehanizētais darbarīks vai slīpripa nokrīt, pārbaudiet, vai nav radušies bojājumi, vai arī uzstādiet nebojātu piederumu. Pēc slīpripas pārbaudes un uzstādīšanas izvēlieties atrašanās vietu sev un apkārtējiem, kas neatrastos slīpripas rotācijas plaknē, tad vienu minūti darbiniet mehanizēto darbarīku ar maksimālo bezslodzes darbības ātrumu. Bojāti piederumi šādas pārbaudes laikā parasti izjūk.
9. **Izmantojiet individuālos aizsarglīdzekļus.** Atkarībā no veicamā darba valkājiet sejas aizsargu, aizsargbrilles vai brilles. Ja nepieciešams, izmantojiet putekļu masku, ausu aizsargus, cimdus un darba priekšautu, kas aiztur mazas abrazīvās vai materiāla daļas. Acu aizsardzības aprīkojumam jāspēj aizturēt lidojošos grūžus, kas rodas dažādu darbu veikšanas laikā. Putekļu maskai vai respiratoram jāaiztur darba laikā radušās daļiņas. Ilgstoši pakļaujot sevi ļoti intensīvam troksnim, var rasties dzirdes zudums.
10. **Gādāji, lai apkārtējie atrastos drošā attālumā no darba vietas.** Ikvienam, kas atrodas darba vietā, jāizmanto individuālie aizsarglīdzekļi. Apstrādājamā materiāla vai salūzušās slīpripas fragmenti var tikt izsviesti un radīt traumas arī tiem, kas neatrodas tieši darba vietā.
11. **Regulāri tīriet mehanizētā darbarīka ventilācijas atveres.** Motora ventilators ievēl putekļus korpusā un pārmērīgu pulverveida metāla uzkrāšanās var izraisīt elektrosistēmas bojājumus.
12. **Mehanizēto darbarīku nedrīkst darbināt ugunsnedrošu materiālu tuvumā. Nelietojiet mehanizēto darbarīku, ja tas novietots uz ugunsnedrošas virsmas, piemēram, uz koka virsmas.** Dzirksteles var aizdedzināt šos materiālus.
13. **Nelietojiet tādas piederumus, kam vajadzīgi dzesēšanas šķidrums.** Lietojot ūdeni vai citus dzesēšanas šķidrums, var gūt nāvējošu elektrotraumu vai elektriskās strāvas triecienu.

Atsitiens un ar to saistīti brīdinājumi

Atsitiens ir pēkšņa reakcija uz iesprūdušu vai aizķerušos rotējošo slīpripu. Iesprūšana vai aizķeršanās izraisa strauju rotējošās slīpripas apstāšanos, kas savukārt izraisa nekontrolētu griešanas darbarīka grūdienu augšup operatora virzienā.

Ja abrazīvā slīpripa, piemēram, aizķeras vai iesprūst apstrādājamajā materiālā, slīpripas mala, kas nokļūst iesprūšanas vietā, var iespiesties materiāla virsmā, liekot slīpripai iznākt vai atlēkt. Šādos gadījumos abrazīvās slīpripas var arī salūzt.

Atsitiens rodas darbarīka nepareizas lietošanas un/vai nepareizas darbības vai apstākļu rezultātā, un no tā var izvairīties, veicot piemērotus drošības pasākumus, kā norādīts tālāk.

1. **Saglabājiet ciešu darbarīka tvērienu un novietojiet ķermeni un rokas tā, lai pretotos atsitienu spēkam.** Operators var pārvarēt augšupvērsta atsitienu spēku, ja veic piemērotus piesardzības pasākumus.
2. **Nenostājieties vienā līnijā ar rotējošo slīpripu.** Ja notiek atsitiens, griešanas ierīce atlēks augšup operatora virzienā.
3. **Nepiestipriniet zāga ķēdi, kokgriešanas asmeni, segmentētu dimanta ripu ar aploces rievu, kas lielāka par 10 mm, vai zobaino zāga asmeni.** Šādi asmeņi izraisa biežus atsitienu un vadības zaudēšanu.
4. **Nelaujiet slīprīpai iesprūst; neizmantojiet pārmērīgu spiedienu. Negrieziet pārāk dziļi.** Ripas pārlogošana palielina slodzi, ripas sašķiešanas vai iekēršanas griezumā un atsitienu vai slīprīpas salūšanas iespējamību.
5. **Kad darba vietā ripas pārvietojas virzienā prom no jūsu ķermeņa, iespējama atsitiens var grūst rotējošo ripu un griešanas ierīci tieši jūsu virzienā. Nekad nemēģiniet izņemt slīpripu no griezuma, kamēr slīprīpa vēl griežas, pretējā gadījumā var rasties atsitiens.** Pārbaudiet un veiciet attiecīgus pasākumus, lai novērstu ripas iekēršanas cēloņus.
6. **Neatsāciet griešanu, darbarīkam atrodoties apstrādājamajā materiālā. Ļaujiet slīprīpai sasniegt pilnu ātrumu un tad vēlreiz uzmanīgi ievietojiet to griezumā.** Slīprīpa var iekerties, izvirzīties augšup vai atlēkt, ja mehānizētais darbarīks tiek atkal iedarbināts, atrodoties apstrādājamajā virsmā.
7. **Atbalstiet visus lielos apstrādājamos materiālus, lai samazinātu slīprīpas iesprūšanas un atsitienu bīstamību.** Lieli apstrādājami materiāli bieži vien ieliecas sava svara dēļ. Balsti jānovieto abās slīprīpas pusēs zem apstrādājamās virsmas, griezuma līnijas tuvumā un tuvu apstrādājamās virsmas malai.

Papildu drošības brīdinājumi

1. **Darba laikā sargieties no dzirkstelēm.** Tās var radīt traumu vai aizdedzināt ugunsnedrošus materiālus.
2. **Nostipriniet apstrādājamo detaļu. Kad iespējams, izmantojiet skavas vai skrūvspīles, lai nostiprinātu apstrādājamo detaļu.** Tas ir drošāks, nekā turēt detaļu rokā, turklāt abas rokas atbrīvojas darbarīka izmantošanai.
3. **Cieši nostipriniet griešanas ripu.**
4. **Uzmanieties, lai nesabojātu vārpstu, atlokus (it īpaši uzstādīšanas virsmu) vai bulskrūvi, lai griešanas ripa pati nesalūztu.**
5. **Aizsargiem jābūt paredzētajā vietā un darba kārtībā.**
6. **Rokturi turiet stingri.**
7. **Neatvīniet rokas rotējošām daļām.**
8. **Pirms slēdža ieslēgšanas pārliecinieties, ka griešanas ripa nepieskaras apstrādājamam materiālam.**

9. **Pirms katras darbarīka lietošanas reizes pievērsiet uzmanību pārmērīgai vibrācijai, jo tas var liecināt par nepareizu uzstādīšanu vai slikti līdzsvarotu ripu.**
10. **Vietās, kur var noklūt dzirksteles, neturiet materiālus vai gruzus. Pārliecinieties, ka dzirksteļu ceļā neatrodas citas personas. Vienmēr tuvumā glabājiet derīgu, piepildītu ugunsdzēsības aparātu.**
11. **Ja griešanas ripa darbības laikā apstājas, rada neparastu troksni vai sāk vibrēt, nekavējoties izslēdziet darbarīku.**
12. **Vienmēr izslēdziet darbarīku un uzgaidiet, līdz griešanas ripa pilnībā apstājas, pirms apstrādājamā materiāla vai skrūvspīļu noņemšanas vai piestiprināšanas, darba stāvokļa vai leņķa, vai griešanas ripas maiņas.**
13. **Nepieskarieties apstrādājamam materiālam tūlīt pēc tā apstrādes; tas ir ļoti karsts un var apdedzināt ādu.**
14. **Uzglabājiet ripas tikai sausā vietā.**

SAGLABĀJIET ŠOS NORĀDĪJUMUS.

Svarīgi drošības norādījumi par akumulatora kasetni

1. **Pirms akumulatora lietošanas izlasiet visus norādījumus un brīdinājumus, kuri attiecas uz (1) akumulatora lādētāju, (2) akumulatoru un (3) ierīci, kurā tiek izmantots akumulators.**
2. **Neizjauciet akumulatoru.**
3. **Ja akumulatora darbības laiks kļūva ievērojami īsāks, nekavējoties pārtrauciet to izmantot. Citādi, tas var izraisīt pārkaršējumu, uzliesmojumu vai pat sprādzienu.**
4. **Ja elektrolīts nonāk acīs, izskalojiet tās ar tīru ūdens un nekavējoties griežieties pie ārsta. Tas var izraisīt redzes zaudēšanu.**
5. **Neradiet īssavienojumu akumulatora kasetnē:**
 - (1) **Nepieskarieties spailēm ar elektrību vadošiem materiāliem.**
 - (2) **Neuzglabājiet akumulatoru kasetni kopā ar citiem metāla priekšmetiem, tādiem kā naglas, monētas u. c.**
 - (3) **Nepakļaujiet akumulatora kasetni ūdens vai lietus iedarbībai.****Akumulatora īssavienojums var radīt spēcīgu strāvas plūsmu, pārkaršanu, uzliesmojumu un pat sabojāt akumulatoru.**
6. **Neglabājiet darbarīku un akumulatora kasetni vietās, kur temperatūra var sasniegt vai pārsniegt 50 °C (122 °F).**
7. **Nedeziniet akumulatora kasetni, pat ja tā ir stipri bojāta vai pilnībā nolietota. Akumulatora kasetne ugunī var eksplodēt.**
8. **Uzmanieties, lai neļautu akumulatoram nokrist un nepakļautu to sitienam.**
9. **Neizmantojiet bojātu akumulatoru.**
10. **Uz izmantotajiem lītiņa jonu akumulatoriem attiecas likumdošanas prasības par bīstamiem izstrādājumiem.**
Komerציālā transportēšanā, ko veic, piemēram, trešās puses, transporta uzņēmumi, jāievēro uz iesaiņojuma un marķējuma norādītās īpašās prasības.

Lai izstrādājumu sagatavotu nosūtīšanai, jāsaziņās ar bīstamo materiālu speciālistu. Ievērojiet arī citus attiecināmos valsts normatīvus.

Vajākus kontaktus nosedziet ar līmlenti vai citādi pārklājiet, bet akumulatoru iesaiņojiet tā, lai sainīt tas nevarētu izkustēties.

11. Ievērojiet vietējos noteikumus par akumulatora likvidēšanu.
12. Izmantojiet šos akumulatorus tikai ar izstrādājumiem, kurus norādījis Makita. Ievietojot šos akumulatorus nesaderīgos izstrādājumos, var rasties ugunsgrēks, pārmērīgs karstums, tie var uzsprāgt vai no tiem var iztecēt elektrolīts.

SAGLABĀJIET ŠOS NORĀDĪJUMUS.

⚠UZMANĪBU: Lietojiet tikai oriģinālos Makita akumulatorus. Ja lietojat neoriģinālus Makita akumulatorus vai pārveidotus akumulatorus, tie var uzsprāgt un izraisīt aizdegšanos, traumas un materiālos zaudējumus. Tiks anulēta arī Makita darbarīka un lādētāja garantija.

Ieteikumi akumulatora kalpošanas laika pagarināšanai

1. Uzlādējiet akumulatora kasetni, pirms tā ir pilnībā izlādējusies. Vienmēr, kad ievērojat, ka darbarīka darba jauda zudusi, apturiet darbarīku un uzlādējiet akumulatora kasetni.
2. Nekad neuzlādējiet pilnībā uzlādētu akumulatora kasetni. Pārmērīga uzlāde saīsina akumulatora kalpošanas laiku.
3. Uzlādējiet akumulatora kasetni istabas temperatūrā 10 °C - 40 °C. Karstai akumulatora kasetnei pirms uzlādes ļaujiet atdzist.
4. Uzlādējiet litija jonu akumulatora kasetni, ja to ilgstoši nelietosit (vairāk nekā sešus mēnešus).

UZSTĀDĪŠANA

⚠BRĪDINĀJUMS: Lietojot šo darbarīku, rodas dzirksteles. Neuzstādiēt šo darbarīku vietā, kur ugunsnedrošus un/vai sprādzienbīstamus materiālus var aizdedzināt darbarīka radītas dzirksteles. Tāpat pārlicinieties, ka, sākot lietot darbarīku, tuvumā nav šādu materiālu.

Pamatnes nostiprināšana

Šis darbarīks jāpieskrūvē ar divām skrūvēm, izmantojot tām paredzētās atveres darbarīka pamatnē, uz līdzenas un stabīlas virsmas. Tādējādi darbarīks neapgāzīsies un neradīs traumas.

► **Att.1:** 1. Skrūvju atveres 2. Pamatne

FUNKCIJU APRAKSTS

⚠BRĪDINĀJUMS: Vienmēr pirms darbarīka regulēšanas vai funkciju pārbaudes pārbaudiet, vai instruments ir izslēgts un akumulatora kasetne ir izņemta. Ja darbarīku neizslēdz un neizņem akumulatora kasetni, tam nejauši ieslēdzoties, var tikt izraisītas smagas traumas.

Darbarīka galvas atbloķēšana/ bloķēšana

Darbarīka galvu var bloķēt. Ja darbarīku nelietojat vai arī pārnēsājat, vienmēr bloķējiet tā galvu.

Lai atbloķētu, nedaudz piespiediet darbarīka galvu un fiksācijas tapu. Lai bloķētu, turot darbarīka galvu, fiksācijas tapu pārvietojiet sākotnējā stāvoklī.

► **Att.2:** 1. Fiksācijas tapa

Akumulatora kasetnes uzstādīšana un izņemšana

⚠UZMANĪBU: Vienmēr pirms akumulatora kasetnes uzstādīšanas vai noņemšanas izslēdziet darbarīku.

⚠UZMANĪBU: Uzstādot vai izņemot akumulatora kasetni, darbarīku un akumulatora kasetni turiet cieši. Ja darbarīku un akumulatora kasetni netur cieši, tie var izkrist no rokām un radīt bojājumus darbarīkam un akumulatora kasetnei, kā arī izraisīt ievainojumus.

► **Att.3:** 1. Sarkanās krāsas indikators 2. Poga 3. Akumulatora kasetne

Lai izņemtu akumulatora kasetni, izvelciet to no darbarīka, pārbīdot kasetnes priekšpusē esošo pogu.

Lai uzstādītu akumulatora kasetni, salāgojiet mēlīti uz akumulatora kasetnes ar rievu ietvarā un iebīdiēt to vietā. Ievietojiet to līdz galam, līdz tā ar klikšķi nofiksējas. Ja pogas augšējā daļā redzams sarkanās krāsas indikators, tas nozīmē, ka tā nav pilnīgi fiksēta.

⚠UZMANĪBU: Vienmēr ievietojiet akumulatora kasetni tā, lai sarkanais indikators nebūtu redzams. Pretējā gadījumā tā var nejauši izkrist no darbarīka un izraisīt jums vai apkārtējiem traumas.

⚠UZMANĪBU: Neievietojiet akumulatora kasetni ar spēku. Ja kasetne neslīd ietvarā viegli, tā nav pareizi ielikta.

PIEZĪME: Darbarīks nedarbojas ar tikai vienu akumulatora kasetni.

Darbarīka/akumulatora aizsardzības sistēma

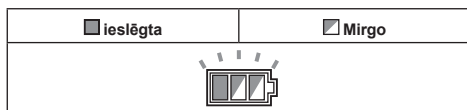
Darbarīks ir aprīkots ar darbarīka/akumulatora aizsardzības sistēmu. Šī sistēma automātiski izslēdz jaudas pavedi motoram, lai pagarinātu darbarīka un akumulatora kalpošanas laiku. Darbarīks automātiski pārstās darboties ekspluatācijas laikā, ja darbarīku vai akumulatoru pakļaus kādam no šiem apstākļiem. Dažu apstākļu gadījumā izgaismojas indikatori.

Aizsardzība pret pārslodzi

Ja darbarīku lieto tā, ka tas patērē pārmērīgi lielu strāvas daudzumu, darbarīks automātiski pārstāj darboties. Šādā gadījumā izslēdziet darbarīku un pārtrauciet darbību, kas izraisīja darbarīka pārslodzi. Tad ieslēdziet darbarīku, lai atsāktu darbu.

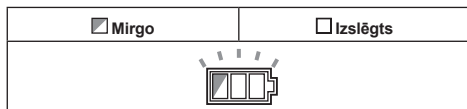
Aizsardzība pret pārkaršanu

Kad darbarīks ir pārkaris, tas automātiski pārstāj darboties, un apmēram 60 sekundes mirgo akumulatora indikators. Šādā gadījumā ļaujiet darbarīkam atdzist, pirms atkārtotas darbarīka ieslēgšanas.



Aizsardzība pret akumulatora pārmērīgu izlādi

Kad atlikusī akumulatora jauda ir pārāk zema, darbarīks apstājas automātiski un mirgo izlietotās akumulatora kasetnes akumulatora indikators. Ja izstrādājums nedarbojas, pat ieslēdzot slēdžus, no darbarīka izņemiet izlietoto akumulatora kasetni un uzlādējiet to.



Atlikušās akumulatora jaudas indikators

► **Att.4:** 1. Akumulatora indikators 2. Pārbaudes poga
Nospiediet pārbaudes pogu, lai pārbaudītu akumulatora atlikušo jaudu. Akumulatora indikatori atbilst katram akumulatoram.

Akumulatora indikatora stāvoklis			Atlikusī akumulatora jauda
Ieslēgts	Izslēgts	Mirgo	
			No 50% līdz 100%
			No 20% līdz 50%
			No 0% līdz 20%
			Akumulatora uzlāde

Atlikušās akumulatora jaudas indikators

Tikai akumulatora kasetnēm ar indikatoru

► **Att.5:** 1. Indikatora lampas 2. Pārbaudes poga

Nospiediet akumulatora kasetnes pārbaudes pogu, lai pārbaudītu akumulatora atlikušo uzlādes līmeni. Indikatori iedegsies uz dažām sekundēm.

Indikatora lampas			Atlikusī jauda
Iededzies	Izslēgts	Mirgo	
			No 75% līdz 100%
			No 50% līdz 75%
			No 25% līdz 50%
			No 0% līdz 25%
			Uzlādējiet akumulatoru.
			Iespējama akumulatora kļūme.

PIEZĪME: Reālā jauda var nedaudz atšķirties no norādītās atkarībā no lietošanas apstākļiem un apkārtējās temperatūras.

Slēdža darbība

▲BRĪDINĀJUMS: Pirms akumulatora kasetnes uzstādīšanas darbarīkā vienmēr pārbaudiet, vai slēdža mēlīte darbojas pareizi un pēc atlaišanas atgriežas stāvoklī „OFF” (Izslēgts).

► **Att.6:** 1. Bloķēšanas poga 2. Slēdža mēlīte

Lai nepieļautu slēdža mēlītes nejašu pavilkšanu, darbarīks ir aprīkots ar bloķēšanas pogu. Lai darbarīku iedarbinātu, nospiediet atbloķēšanas pogu un nospiediet slēdža mēlīti. Lai apturētu darbarīku, atlaidiet slēdža mēlīti.

▲BRĪDINĀJUMS: NEKAD neizjauciet atbloķēšanas pogu, to neaplīmējiet un citādāk nepārveidojiet. Slēdzis ar izjauktu atbloķēšanas pogu var izraisīt neparedzētu darbību un radīt smagas traumas.

▲BRĪDINĀJUMS: NEKAD nelietojiet darbarīku, ja tas ieslēdzas tikai pēc slēdža mēlītes pavilkšanas un nav jānospiež atbloķēšanas poga. Slēdzis, ko nepieciešams labot, var izraisīt neparedzētu darbību un radīt nopietnus ievainojumus. PIRMS turpmākas ekspluatācijas nododiet darbarīku Makita apkopes centrā, lai to atbilstīgi saremontētu.

IEVĒRĪBAI: Nevelciet slēdža mēlīti ar spēku, neiespiežot atbloķēšanas pogu uz iekšu. Rezultātā var tikt sabojāts slēdzis.

Slodzes statusa indikators

Slodzes statusa indikators rāda motora slodzes pakāpi griešanas darba laikā. Palielinoties motora noslodzei, palielinās arī izgaismoto lampu skaits.

► **Att.7:** 1. Slodzes statusa indikators

Brīdinājums par pārslodzi

Ja motors tiek darbināts ar pārmērīgu slodzi, visas slodzes statusa indikatora lampiņas mirgos. Ja tā notiek, samaziniet motora noslodzi. Ja turpināt noslogot motoru, kamēr mirgo slodzes statusa indikators, darbarīks pēc dažām sekundēm automātiski apstāsies pārslodzes aizsardzības dēļ.

PIEZĪME: Ja vienā piegājienā tiek radīta pārmērīga slodze, darbarīks automātiski apstāsies un slodzes statusa indikators nemirgos.

Attālums starp skrūvspīlēm un vadplāksni

UZMANĪBU: Pēc attāluma iestatīšanas starp skrūvspīlēm un vadplāksni pārliicinieties, ka plāksne ir nostiprināta pareizi. Nepietiekama nostiprināšana var radīt traumas.

Ir iespējami šādi skrūvspīļu attāluma iestatījumi:

- 0 - 170 mm (sākotnējais iestatījums)
- 35 - 205 mm
- 70 - 240 mm

Ja jāizmanto cits iestatījums, lai mainītu atstarpi vai intervālu, rīkojieties, kā norādīts tālāk.

Atļaidiet vadplāksnes skrūvi. Vadplāksni pārvietojiet vēlamajā stāvoklī, tad pievelciet skrūvi.

► **Att.8:** 1. Skrūve 2. Vadplāksne

Griešanas leņķa regulēšana

UZMANĪBU: Pēc vadplāksnes leņķa noregulēšanas pārliicinieties, ka plāksne ir nostiprināta pareizi. Nepietiekama nostiprināšana var radīt traumas.

UZMANĪBU: Nelietojiet darbarīku, ja apstrādājams materiāls nav stingri nostiprināts skrūvspīlēs griešanas leņķa dēļ.

Grieziet sviru pretēji pulksteņrādītāju kustības virzienam. Vadplāksni pārvietojiet vēlamajā leņķī, tad pilnībā pievelciet sviru.

► **Att.9:** 1. Vadplāksne 2. Svira

PIEZĪME: Mērlineāls uz vadplāksnes ir tikai aptuvens. Precīzākam leņķim izmantojiet leņķmēru vai trīsstūra lineālu. Turiet rokturi nolaistu, lai griezējripa ievirzās pamatnē. Vienlaikus regulējiet leņķi starp vadplāksni un nogriešanas ripu, izmantojot leņķmēru vai trīsstūra lineālu.

Dzirksteļu aizsarga regulēšana

Dažādām valstīm atšķiras

Dzirksteļu aizsargs rūpnīcā ir uzstādīts tā, ka apakšējā mala saskaras ar pamatni. Ja lietosit darbarīku šādā stāvoklī, radīsies daudz dzirksteļu. Atļaidiet skrūvi un noregulējiet dzirksteļu aizsargu tādā stāvoklī, kādā būs vismazāk dzirksteļu.

► **Att.10:** 1. Skrūve 2. Dzirksteļu aizsargs

Elektroniskā funkcija

Instrumenti, kuriem ir elektroniskā funkcija, ir viegli lietojami, jo tiem ir tālāk minētā(-ās) īpašība(-as).

Laidenās palaišanas funkcija

Laidena palaišana, kas slāpē ieslēgšanas radīto triecienu.

MONTĀŽA

BRĪDINĀJUMS: Vienmēr pirms darbarīka labošanas pārbaudiet, vai instruments ir izslēgts un akumulatora kasetne ir izņemta. Ja darbarīku neizslēdz un akumulatora kasetni neizņem, var tikt izraisītas smagas traumas.

Vidus pārsega veida drošības aizsarga atvēršana

Dažādām valstīm atšķiras

Darbarīkiem, kas aprīkoti ar vidus pārsega veida drošības aizsargu, vispirms atļaidiet saspiedēja skrūvi, tad paceliet aizsargu, kā parādīts.

► **Att.11:** 1. Saspiedēja skrūve

Eiropas standarta drošības aizsarga atvēršana

Dažādām valstīm atšķiras

Darbarīkos, kas aprīkoti ar Eiropas standarta drošības aizsargu, vispirms atļaidiet saspiedēja skrūvi, tad atveriet aizsargu, kā parādīts.

► **Att.12:** 1. Saspiedēja skrūve

► **Att.13**

► **Att.14**

Griezējriņas noņemšana vai uzstādīšana

UZMANĪBU: Pārliicinieties, vai saspiedējs ir cieši nostiprināts. Nepietiekams pievilcums var radīt smagas traumas.

UZMANĪBU: Izmantojiet tikai pareizos ārējos un iekšējos atlokus no darbarīka komplekta.

UZMANĪBU: Pēc griešanas ripas nomaigšanas vienmēr nolaidiet drošības aizsargu uz leju.

UZMANĪBU: Rīkojieties ar ripām, valkājiet cimdus.

Paceliet drošības aizsargu. Grieziet saspiedēju pretēji pulksteņrādītāju kustības virzienam, vienlaikus turot nolaistu vārpstas bloķētāju. Pēc tam noņemiet saspiedēju, ārējo atloku un griezējripu. Noņemot griezējripu, nenovietojiet iekšējo atloku, nedz arī gredzenu un blīvgredzenu.

- **Att.15:** 1. Vārpstas bloķētājs 2. Saspiedējs
 ► **Att.16:** 1. Iekšējais atloks 2. Gredzens
 3. Blīvgredzens 4. Griezējripa 5. Ārējais atloks 6. Saspiedējs

Lai griezējripu uzstādītu, noņemšanas darbības izpildiet pretējā secībā. Noteikti salāgojiet griezējripas atvērni ar gredzenu un uzlieciet atpakaļ drošības aizsargu.

EKSPLUATĀCIJA


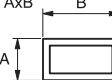
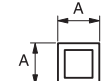

UZMANĪBU: Pareizu spiedienu uz roktura griežot un maksimālo griešanas efektivitāti var noteikt pēc dzirksteļu daudzuma, kas rodas griežot. Negrieziet ar spēku, pārmērīgi spiežot uz roktura. Tādējādi var mazināties griešanas efektivitāte, ripa var pārāk ātri nodilt, kā arī var rasties darbarīka, ripas vai apstrādājamā materiāla bojājumi.

Rokturi turiet stingri. Ieslēdziet darbarīku un nogaidiet, līdz griešanas ripa sasniedz maksimālo griešanās ātrumu, un tikai tad to uzmanīgi nolaidiet griezumā. Griešanas ripai saskaroties ar apstrādājamo materiālu, pamazām spiediet uz roktura, lai veiktu griešanu. Kad griešana pabeigta, izslēdziet darbarīku un pagaidiet, līdz griešanas ripa pilnībā apstājas, tikai tad rokturi drīkst pārvietot pilnībā paceltā stāvoklī.

Griešanas jauda

Maks. griešanas jauda mainās samērīgi griešanas leņķim un apstrādājamā materiāla formai.

Maks. griešanas jauda ar jaunu griešanas ripu

Griešanas leņķis/ apstrādājamā materiāla forma	90°	45°
	ø127 mm	ø127 mm
	115 x 130 mm 102 x 194 mm 70 x 233 mm	115 x 103 mm
	119 x 119 mm	106 x 106 mm
	137 x 137 mm	100 x 100 mm

PIEZĪME: Ar šo darbarīku ieteicams griezt apstrādājamo materiālu, kas plānāks nekā 1,6 mm.

Apstrādājamā materiāla nostiprināšana

UZMANĪBU: Nostiprinot apstrādājamo materiālu, vienmēr uz vārpstas vītņiem uzlieciet vītnes turētāju. Pretējā gadījumā apstrādājamais materiāls var nebūt pietiekami cieši nostiprināts. Materiāls var tikt izsviests vai izraisīt bīstamu griešanas ripas salūšanu.

Kad vītne turētājs pacelts, skrūvspļū plāksni var ātri ievietot un izņemt. Lai satvertu apstrādājamo materiālu, bīdīet rokturi, līdz skrūvspļū plāksne saskaras ar materiālu, pēc tam vītne turētāju pārvietojiet sākotnējā stāvoklī. Rokturi grieziet pulksteņrādītāju kustības virzienā, līdz apstrādājamais materiāls ir cieši nostiprināts.

- **Att.17:** 1. Rokturi 2. Vītne turētājs 3. Skrūvspļū plāksne

Ja griezējripa ir ļoti nodilusi, aiz apstrādājamā materiāla novietojiet starplikas kluci, kā parādīts attēlā. Nodilšu ripu var vēl efektīvāk izmantot, materiāla griešanai lietojot ripas perifērijas viduspunktu. Izmantojiet izturīgu un ugunsdrošu starplikas kluci.

- **Att.18:** 1. Starplikas klucis

Griežot leņķī materiālus, kuru platums pārsniedz 85 mm, vadplāksnei piestipriniet taisnu koka gabalu (starpliku), kura izmēri pārsniedz 190 mm garumā x 40 mm platumā, kā parādīts attēlā. Pieskrūvējiet šo starpliku ar skrūvēm, ievietojot tās vadplāksnes atverēs. Pārlicinieties, ka, piespiežot darbarīka galvu, griezējripa nesaskaras ar starpliku.

- **Att.19:** 1. Vadplāksne 2. Starplikas klucis (vai rāķ nekā 190 mm garš x 40 mm plats)
 3. Apstrādājamais materiāls (vai rāķ nekā 85 mm plats) 4. Skrūvspļū plāksne

IEVĒRĪBAI: Izmantojot starplikas kluci, vadplāksni uzstādiet darbarīka galviņas kaklam tuvākajai pozīcijai.

- **Att.20**

Ja griešanas ripa ir ļoti nodilusi, aiz apstrādājamā materiāla novietojiet starplikas kluci, kas ir nedaudz šaurāks par materiālu, kā parādīts attēlā. Tādējādi griešanas ripa tiks lietota ekonomiskāk.

- **Att.21:** 1. Skrūvspļū plāksne 2. Apstrādājamā materiāla diametrs 3. Vadplāksne
 4. Starplikas kluča platums

Gari apstrādājamo materiālu abās pusēs jāatbalsta ar kluciem tā, lai tie būtu vienā līmenī ar pamatnes augšpusi. Izmantojiet ugunsdrošus balsta klucus.

- **Att.22:** 1. Balsta klucis

Darbarīka pārnēsāšana

Pirms pārnēsāšanas izņemiet akumulatoru un nolokiet darbarīka galviņu uz leju, un tad nobloķējiet to. Darbarīku pārnēsājiet aiz roktura.

- **Att.23**

APKOPE

⚠ UZMANĪBU: Pirms darbarīka pārbaudes vai apkopes vienmēr pārlicinieties, ka darbarīks ir izslēgts un akumulatora kasetne ir izņemta.

IEVĒRĪBAI: Nekad neizmantojiet gazolinu, benzīnu, atšķaidītāju, spirtu vai līdzīgus šķidrumus. Tas var radīt izbalēšanu, deformāciju vai plaisas.

Lai saglabātu izstrādājuma DROŠU un UZTICAMU darbību, remontdarbus, apkopi un regulēšanu uzticiet veikt tikai Makita pilnvarotam vai rūpnīcas apkopes centram, un vienmēr izmantojiet tikai Makita rezerves daļas.

PAPILDU PIEDERUMI

⚠ UZMANĪBU: Šādi piederumi un papildierīces tiek ieteiktas lietošanai ar šajā rokasgrāmatā aprakstīto Makita darbarīku. Izmantojot citus piederumus vai papildierīces, var tikt radīta traumu gūšanas bīstamība. Piederumu vai papildierīci izmantojiet tikai paredzētajam mērķim.

Ja jums vajadzīga palīdzība vai precīzāka informācija par šiem piederumiem, vērsieties savā tuvākajā Makita apkopes centrā.

- Abrazīvās griezējriņas
- Makita oriģinālais akumulators un lādētājs

PIEZĪME: Daži sarakstā norādītie izstrādājumi var būt iekļauti instrumenta komplektācijā kā standarta piederumi. Tie dažādās valstīs var būt atšķirīgi.

SPECIFIKACIJOS

Modelis:		DLW140
Disko skersmuo		355 mm
Angos skersmuo		25,4 mm
Didž. disko storis		3 mm
Greitis be apkrovos		3 800 min ⁻¹
Nominali įtampa		Nuol. sr. 36 V
Matmenys (I x P x A)	Naudojant europinio tipo apsaugą	537 mm x 290 mm x 640 mm
	Naudojant ne europinio tipo apsaugą	537 mm x 280 mm x 640 mm
	Su centrine gaubto tipo apsauga	537 mm x 280 mm x 640 mm
Grynas svoris	Naudojant europinio tipo apsaugą	17,2 - 17,8 kg
	Naudojant ne europinio tipo apsaugą	15,6 - 16,3 kg
	Su centrine gaubto tipo apsauga	15,4 - 16,0 kg

- Atlikame tęsinius tyrimus ir nuolatos tobuliname savo gaminius, todėl čia pateikiamos specifikacijos gali būti keičiamos be įspėjimo.
- Skirtingose šalyse specifikacijos gali skirtis.
- Svoris gali priklausyti nuo priedo (-ų), įskaitant akumuliatoriaus kasetę. Lengviausias ir sunkiausias deriniai pagal EPTA 2014 m. sausio mėn. procedūrą yra parodyti lentelėje.
- Atsižvelgiant į kiekvienoje šalyje skirtingas technines sąlygas, skiriasi forma ir svoris.

Tinkama akumuliatoriaus kasetė ir (arba) įkroviklis

Akumuliatoriaus kasetė	BL1815N / BL1820 / BL1820B / BL1830 / BL1830B / BL1840 / BL1840B / BL1850 / BL1850B / BL1860B
Įkroviklis	DC18RC / DC18RD / DC18RE / DC18SD / DC18SE / DC18SF

- Atsižvelgiant į gyvenamosios vietos regioną, kai kurios pirmiau nurodytos akumuliatoriaus kasetės ir įkrovikliai gali būti neprieinami.

⚠️ ĮSPĖJIMAS: Naudokite tik akumuliatoriaus kasetes ir įkroviklius, kurie nurodyti anksčiau. Naudojant bet kurias kitas akumuliatoriaus kasetes ir įkroviklius, gali kilti sužeidimo ir gaisro pavojus.

Numatytoji naudojimo paskirtis

Šis įrankis skirtas geležinėms medžiagoms pjauti, naudojant tinkamą šlifuojamąjį pjovimo diską. Vadovaukitės visais savo šalyje galiojančiais įstatymais ir reglamentais dėl dulkių ir sveikatos bei saugos darbo vietoje.

Triukšmas

Įprastas triukšmo A lygis, nustatytas pagal EN62841-3-10:

Garso slėgio lygis (L_{pA}): 103 dB (A)

Garso galios lygis (L_{WA}): 115 dB (A)

Paklaida (K): 3 dB (A)

⚠️ ĮSPĖJIMAS: Dėvėkite ausų apsaugą.

Vibracija

Vibracijos bendroji vertė (triašio vektorius suma)

nustatyta pagal EN62841-3-10 standartą:

Vibracijos emisija (a_{hv}): 2,5 m/s²

Paklaida (K): 1,5 m/s²

PASTABA: Paskelbtasis vibracijos emisijos dydis nustatytas pagal standartinį testavimo metodą ir jį galima naudoti vienam įrankiui palyginti su kitu.

PASTABA: Paskelbtasis vibracijos emisijos dydis taip pat gali būti naudojamas preliminariai įvertinti vibracijos poveikį.

⚠️ ĮSPĖJIMAS: Faktiškai naudojant elektrinį įrankį, keliamos vibracijos dydis gali skirtis nuo paskelbtojo dydžio, priklausomai nuo būdų, kuriais yra naudojamas šis įrankis.

⚠️ ĮSPĖJIMAS: Siekdami apsaugoti operatorių, būtina įvertinkite saugos priemones, remdamiesi vibracijos poveikio įvertinimu esant faktinėms naudojimo sąlygoms (atsižvelgdami į visas darbo ciklo dalis, pavyzdžiui, ne tik kiek laiko įrankis veikia, bet ir kiek kartų jis yra išjungiamas bei kai jis veikia be apkrovų).

EB atitikties deklaracija

Tik Europos šalims

EB atitikties deklaracija yra pridedama kaip šio instrukcijų vadovo A priedas.

SAUGOS ĮSPĖJIMAI

Bendrieji įspėjimai dirbant elektriniais įrankiais

▲ ĮSPĖJIMAS: Perskaitykite visus saugos įspėjimus, instrukcijas, iliustracijas ir techninius duomenis, pateiktus kartu su šiuo elektriniu įrankiu. Nesilaikant visų toliau išvardytų instrukcijų galima patirti elektros smūgį, gali kilti gaisras ir (arba) galima sunkiai susižaloti.

Išsaugokite visus įspėjimus ir instrukcijas, kad galėtumėte jas peržiūrėti ateityje.

Terminas „elektrinis įrankis“ pateiktuose įspėjimuose reiškia į maitinimo tinklą jungiamą (laidinį) elektrinį įrankį arba akumulatoriaus maitinamą (belaidį) elektrinį įrankį.

Pjaustymo įrenginio saugos įspėjimai

1. **Jūs ir pašaliniai asmenys turi stovėti atokiau nuo besisukančio disko plokštumos.** Apsauga padeda apsaugoti operatorių nuo nulūžusių disko dalelių ir atsitiktinio sąlyčio su disku.
2. **Elektriniam įrankiui naudokite tik klijuotus, sutvirtintus diskus.** Vien tai, kad priedą galima prijungti prie elektrinio įrankio, neužtikrina, jog jį bus saugu naudoti.
3. **Priedo vardinis greitis mažiausiai turi būti lygus didžiausiam ant elektrinio įrankio nurodytam greičiui.** Greičiau už vardinį greitį veikiančys priedai gali sulūžti ir nuskrieti į šalis.
4. **Diskus galima naudoti tik rekomenduojamiems darbams atlikti.** Pavyzdžiui, nešifuokite pjovimo disko šonu. Šlifuojamieji pjovimo diskai yra skirti šoniniam šlifavimui, dėl šiems diskams tenkančių šoninių jėgų jie gali sulūžti.
5. **Visada naudokite nepažeistas disko junges, kurių skersmuo tinkamas pasirinktam diskui.** Tinkamos disko jungės prilaiko diską ir taip sumažina jo lūžimo tikimybę.
6. **Priedo išorinis skersmuo ir storis turi atitikti elektrinio įrankio galios lygį.** Netinkamo dydžio priedų nepavyks tinkamai apsaugoti arba valdyti.
7. **Diskų ašys ir jungės turi tinkamai užsidėti ant elektrinio įrankio veleno.** Diskai ir jungės su ašies angomis, kurios nesutampa su elektrinio įrankio montavimo technine įranga, nebalansuos, pernelyg vibruos, taip pat galima prarasti įrankio kontrolę.
8. **Nenaudokite sugadintų diskų.** Prieš kiekvieną naudojimą patikrinkite, ar nėra pažeidimų, arba sumontuokite nepažeistą diską. Patikrinę ir sumontavę diską, jūs ir pašaliniai asmenys turite laikytis atokiau nuo besisukančio disko plokštumos ir leisti elektriniam įrankiui veikti didžiausiu greičiu be jokios apkrovos vieną minutę. Per šį bandomąjį laikotarpį sugadinti diskai įprastai lūžta.

9. **Naudokite asmeninės apsaugos priemones.** Priklausomai nuo atliekamos užduoties, naudokite veido apsauginį skydelį, apsauginius ar saugos akinius. Jei reikia, naudokite kaukę nuo dulkių, ausų apsaugos priemones, pirštines ir prijuostę, kuri galės sulaukyti nedideles abrazyvines arba ruošinio daleles. Akių apsaugos priemonės turi būti tinkamos, kad sustabdytų įvairių darbų metu susidarancias skrendančias nuolaužas. Kaukė nuo dulkių arba respiratorius turi būti tinkami, kad išfiltruotų darbo metu susidarancias daleles. Dėl ilgalaikio didelio intensyvumo triukšmo galima prarasti klausą.
10. **Pasirūpinkite, kad pašaliniai būtų saugiu atstumu nuo darbo vietos. Visi j darbo vietą įeinantys asmenys turi naudoti asmeninės apsaugos priemones.** Ruošinio ar sulūžusio disko dalelės gali nuskrieti į šalį ir sužaloti už darbo vietos ribų.
11. **Reguliariai valykite elektrinio disko oro vėdinimo angas.** Variklio ventiliatorius gali įtraukti dulkių į korpusą, o pernelyg didelis miltelių pavaldulo metalo kiekis gali sukelti elektros pavojų.
12. **Nenaudokite elektrinio įrankio greta degių medžiagų. Nenaudokite elektrinio įrankio, kol jis padėtas ant degaus paviršiaus, pvz., medienos.** Kibirkštys gali uždegti šias medžiagas.
13. **Nenaudokite priedų, kuriuose reikia naudoti skystas aušinamąsias medžiagas.** Naudojant vandenį ar kitas skystas aušinamąsias medžiagas, galima mirti nuo elektros srovės arba patirti elektros smūgį.

Atatranka ir susiję įspėjimai

Atatranka yra staigi reakcija į prispaustą ar užspaustą besisukančią diską. Prispaustas ar užspaustas besisukančias diskas staiga nustos sukstis, todėl nevaldomas pjovimo įrenginys bus stumiamas į viršų operatoriaus link. Pavyzdžiui, jei šlifuojamąjį diską užspaudė ar prispaudė ruošinys, disko kraštas, patenkantis į prispaudimo vietą, gali nuslysti giliau į medžiagos paviršių, todėl diskas bus išsviestas arba atšoks. Šlifuojamieji diskai taip pat gali lūžti esant šioms sąlygoms. Atatranka yra piktnaudžiavimo elektriniu įrankiu ir (arba) netinkamų naudojimo procedūrų ar sąlygų nulemtas rezultatas, jos galima išvengti imantis tinkamų atsargumo priemonių, kaip nurodyta toliau.

1. **Įrankį laikykite tvirtai suėmę, o kūno bei rankos padėtį pasirinkite tokią, kad galėtumėte atlaikyti atatrankos jėgas.** Operatorius gali kontroliuoti į viršų nukreiptas atatrankos jėgas, jei imsis tinkamų atsargumo priemonių.
2. **Nestovėkite vienoje linijoje su besisukančiu disku.** Įvykus atatrankai, ji stums pjovimo įrenginį į viršų operatoriaus link.
3. **Nepritvirtinkite juostinio pjūklo, drožinėjimo peilio, segmentuoto deimantinio disko su šoniniu tarpu, kuris didesnis nei 10 mm, arba dantyto pjūklo disko.** Dėl tokių peilių dažnai įvyksta atatranka ir prarandama kontrolė.
4. **„Neužstrigdykite“ disko arba pernelyg jo nespauskite. Nemėginkite pjauti pernelyg giliai.** Pernelyg stipriai spaudžiant diską, padidėja apkrova, diskas gali susisukti arba įstrigti pjūvio vietoje, todėl gali įvykti atatranka arba diskas gali sulūžti.
5. **Diskui įstrigus arba kai pjovimas dėl tam tikros priežasties pertraukiamas, išjunkite elektrinį įrankį ir nejudindami laikykite pjovimo įrenginį, kol diskas visiškai sustos. Niekada nemėginkite išimti disko iš pjūvio vietos, kol diskas juda, antraip įvyks atatranka.** Ištrikite atvejį ir imkitės ištaisomųjų veiksmų, kad pašalintumėte disko įstrigimo priežastį.

6. **Nepradėkite plovimo darbo ruošinyje iš naujo.** Leiskite diskui pasiekti didžiausią greitį ir atsargiai pakartotinai bandykite pjauti. Diskas gali įstrigti, pajudėti į viršų arba gali įvykti atatranka, jei elektrinis įrankis bus paleistas ruošinyje iš naujo.
7. **Paremkite visus didelį matmenų ruošinius, kad sumažėtų disko prispaudimo ir atatrankos tikimybė.** Dideli ruošiniai yra linkę lenktis dėl savo pačių svorio. Po ruošiniu, šalia plovimo linijos ir netoli ruošinio krašto, iš abiejų disko pusių reikia padėti atramas.

Papildomi saugos įspėjimai

1. **Dirbdami saugokitės skrendančių kibirkščių.** Jos gali sužaloti arba uždegti degias medžiagas.
2. **Dirbkite saugiai.** Kai įmanoma, ruošiniu pri-laikyti naudokite veržtuvus arba spaustuvą. Taip saugiau nei laikyti ranka, be to, tuomet galite abiem rankomis valdyti įrankį.
3. **Gerai pritvirtinkite nupjovimo diską.**
4. **Saugokitės, kad nepažeistumėte veleno, jungių (ypač montavimo paviršiaus) ar varžto, antraip gali sulūžti nupjovimo diskas.**
5. **Nenuimkite apsaugų ir užtikrinkite, kad jos būtų tvarkingos.**
6. **Tvirtai laikykite rankenėlę.**
7. **Laikykite rankas toliau nuo sukamųjų dalių.**
8. **Prieš įjungdami jungiklį, patikrinkite, ar nupjovimo diskas neličia ruošinio.**
9. **Prieš kiekvieną naudojimą stebėkite, ar nėra daužymosi ar vibracijos, kurią gali sukelti netinkamas sumontavimas arba prastai subalansuotas diskas.**
10. **Medžiagas ir atliekas pašalinkite iš ploto, kurį galėtų uždegti kibirkštys.** Įsitinkinkite, ar kibirkščių kelyje nėra žmonių. Šalia turėkite veikiančią pilną gesintuvą.
11. **Jei darbo metu nupjovimo diskas sustoja, skleidžia neįprastą garsą arba ima vibruoti, nedelsdami išjunkite įrankį.**
12. **Būtinai išjunkite įrankį ir palaukite, kol nupjovimo diskas visiškai sustos, tik tada nuimkite ar įtvirtinkite ruošinį, dirbkite su spaustuvais, keiskite darbinę padėtį ar kampą arba patį nupjovimo diską.**
13. **Nelieskite ruošinio iškart po naudojimo; jis yra itin karštas ir gali nudeginti odą.**
14. **Diskus laikykite tik sausoje vietoje.**

SAUGOKITE ŠIAS INSTRUKCIJAS.

Svarbios saugos instrukcijos, taikomos akumulatoriaus kasetei

1. **Prieš naudodami akumulatoriaus kasetę, perskaitykite visas instrukcijas ir perspėjimus ant (1) akumuliatorių įkroviklio, (2) akumuliatorių ir (3) akumuliatorių naudojančio gaminio.**
2. **Neardykite akumulatoriaus kasetės.**
3. **Jei įrankio darbo laikas žymiai sutrumpėjo, nedelsdami nutraukite darbą su įrankiu. Tai gali kelti perkaitimo, nudegimų ar net sprogo pavojų.**
4. **Jei elektrolitas pateko į akis, plaukite jas tyru vandeniu ir nedelsdami kreipkitės į gydytoją. Gali kilti regėjimo praradimo pavojus.**

5. Neužtrumpinkite akumulatoriaus kasetės:

- (1) **Nelieskite kontaktų degiomis medžiagomis.**
- (2) **Venkite laikyti akumulatoriaus kasetę kartu su kitais metaliniais daiktais, pavyzdžiui, vinimis, monetomis ir pan.**
- (3) **Saugokite akumulatoriaus kasetę nuo vandens ir lietaus.**

Trumpasis jungimas akumuliatoriuje gali sukelti stiprią srovę, perkaitimą, galimus nudegimus ar net akumulatoriaus gedimą.

6. **Nelaikykite įrankio ir akumulatoriaus kasetės vietose, kur temperatūra gali pasiekti ar viršyti 50 °C.**
7. **Nedeginkite akumulatoriaus kasetės, net jei yra stipriai pažeista ar visiškai susidėvėjusi. Ugnyje akumulatoriaus kasetė gali sprogti.**
8. **Saugokite akumuliatorių nuo kritimo ir smūgių.**
9. **Nenaudokite pažeisto akumulatoriaus.**
10. **Įdėdoms ličio jonų akumuliatoriams taikomi Pavojingų prekių teisės akto reikalavimai.** Komeracinis transportas, pvz., trečiųjų šalių, prekių vežimo atstovų, turi laikytis specialaus reikalavimo ant pakuotės ir ženklavimo. Norėdami paruošti siųstiną prekę, pasitarkite su pavojingų medžiagų specialistu. Be to, laikykites galimai išsamesnių nacionalinių reglamentų. Užklijuokite juosta arba padenkite atvirus kontaktus ir supakuokite akumuliatorių taip, kad ji pakuotėje nejudėtų.
11. **Vadovaukitės vietos įstatymais dėl akumuliatorių išmetimo.**
12. **Baterijas naudokite tik su „Makita“ nurodytais gaminiais.** Baterijas įdėjus į netinkamus gaminius gali kilti gaisras, gaminyje pernelyg kaisti, kilti sproginimas arba pratekėti elektrolitas.

SAUGOKITE ŠIAS INSTRUKCIJAS.

⚠️ PERSPĖJIMAS: Naudokite tik originalų „Makita“ akumuliatorių. Neoriginalaus „Makita“ arba pakeisto akumulatoriaus naudojimas gali nulemti gaisrą, asmens sužalojimą ir pažeidimą. Tai taip pat panaikina „Makita“ suteikiamą „Makita“ įrankio ir įkroviklio garantiją.

Patarimai, ką daryti, kad akumulatorius veiktų kuo ilgiau

1. **Pakraukite akumulatoriaus kasetę prieš jai visiškai išsikraunant. Visuomet nustokite naudoti įrankį ir pakraukite akumulatoriaus kasetę, kai pastebite, kad įrankio galia sumažėjo.**
2. **Niekada nekraukite iki galo įkrautos akumulatoriaus kasetės. Perkraunant trumpėja akumulatoriaus eksploatacijos laikas.**
3. **Akumulatoriaus kasetę kraukite esant kambario temperatūrai 10 - 40 °C. Prieš pradėdami krauti, leiskite įkaitusiai akumulatoriaus kasetei atvėsti.**
4. **Įkraukite akumulatoriaus kasetę, jei jos nenaudojate ilgą laiką (ilgiau nei šešis mėnesius).**

SUMONTAVIMAS

⚠️ JSPĖJIMAS: Pjaudamas ruošinį, šis įrankis sukelia kibirkštis. Nemontuokite šio įrankio vietoje, kurioje jo skleidžiamos kibirkštys gali uždegti degias ir (arba) sprogius medžiagas. Be to, prieš pradėdami dirbti įsitikinkite, ar šalia įrankio tokių medžiagų nėra.

Pagrindo fiksavimas

Šį įrankį reikia prisukti dviem varžtais prie lygaus, stabilaus paviršiaus, įsukant juos į įrankio pagrinde varžtams padarytas skylės. Tai neleis įrankiui apvirsti ir sukelti susižeidimo pavojų.

► **Pav.1:** 1. Varžtų skylės 2. Pagrindas

VEIKIMO APRAŠYMAS

⚠️ JSPĖJIMAS: Prieš pradėdami reguliuoti arba tikrinti įrankio veikimą, visuomet būtinai išjunkite įrankį ir išimkite akumuliatoriaus kasetę. Neišjungus ir neišėmus akumuliatoriaus kasetės, netyčia įjungus įrankį, galima sunkiai susižeisti.

Įrankio galvutės atblokavimas / blokavimas

Įrankio galvutę galima blokuoti. Kai įrankio nenaudojate arba ji nešate, visada blokuokite jo galvutę.

Norėdami atblokuoti, šiek tiek paspauskite įrankio galvutę ir paspauskite blokavimo kaištį. Norėdami blokuoti, laikydami žemyn pakreiptą įrankio galvutę, grąžinkite blokavimo kaištį.

► **Pav.2:** 1. Blokavimo kaištis

Akumuliatoriaus kasetės uždėjimas ir nuėmimas

⚠️ PERSPĖJIMAS: Prieš įdėdami arba išimdami akumuliatoriaus kasetę, visada išjunkite įrankį.

⚠️ PERSPĖJIMAS: Įdėdami arba išimdami akumuliatoriaus kasetę, tvirtai laikykite įrankį ir akumuliatoriaus kasetę. Jeigu įrankį ir akumuliatoriaus kasetę laikysite netvirtai, jie gali išsllysti iš jūsų rankų, todėl įrankis ir akumuliatoriaus kasetė gali būti sugadinti, o naudotojas sužalotas.

► **Pav.3:** 1. Raudonas indikatorius 2. Mygtukas 3. Akumuliatoriaus kasetė

Jei norite išimti akumuliatoriaus kasetę, ištraukite ją iš įrankio, stumdami mygtuką, esantį kasetės priekyje.

Jei norite įdėti akumuliatoriaus kasetę, sulygiuokite liežuvelį ant akumuliatoriaus kasetės su grioveliu korpuse ir įstumkite į jai skirtą vietą. Įdėkite iki galo, kol spragtelėdama užsifiksuos. Jeigu matote raudoną indikatorių viršutinėje mygtuko pusėje, ji nėra visiškai užfiksuota.

⚠️ PERSPĖJIMAS: Akumuliatoriaus kasetę visada įkiškite iki galo, kol nebematysite raudono indikatoriaus. Priešingu atveju ji gali atsitiktinai iškristi iš įrankio, sužeisti jus arba aplinkinius.

⚠️ PERSPĖJIMAS: Nekiškite akumuliatoriaus kasetės jėga. Jeigu kasetė sunkiai lenda, ją kišate netinkamai.

PASTABA: Įrankis neveikia tik su viena akumuliatoriaus kasete.

Įrankio / akumuliatoriaus apsaugos sistema

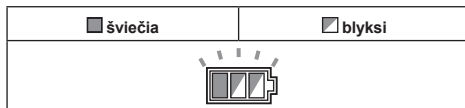
Įrankyje įrengta įrankio / akumuliatoriaus apsaugos sistema. Ši sistema automatiškai atjungia variklio maitinimą, kad įrankis ir akumuliatorius ilgiau veiktų. Įrankis automatiškai išsijungs darbo metu esant vienai iš toliau nurodytų įrankio arba akumuliatoriaus darbo sąlygų. Esant tam tikroms sąlygoms užsidega indikatoriai.

Apsauga nuo perkrovos

Kai įrankis naudojamas taip, kad neįprastai padidėja elektros srovė, įrankis automatiškai išsijungia. Tokiu atveju atleiskite įrankio gaiduką ir nutraukite darbą, dėl kurio kilo įrankio perkrova. Po to vėl įjunkite įrankį.

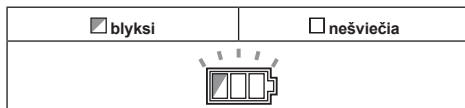
Apsauga nuo perkaitimo

Jeigu įrankis perkaista, automatiškai išsijungia ir maždaug 60 sekundžių žybcioja akumuliatoriaus indikatorius lemputė. Tokiu atveju palaukite, kol įrankis atvės, paskui vėl jį įjunkite.



Apsauga nuo visiško išsikrovimo

Žymiai sumažėjus likusiai akumuliatoriaus galiai, įrankis automatiškai išsijungia ir mirksi išsikrovusios akumuliatoriaus kasetės indikatorius. Jeigu gaminyje neveikia net ir spaudžiant jungiklius, išimkite išsikrovusią akumuliatoriaus kasetę iš įrankio ir įkraukite.



Likusios akumulatoriaus galios rodymas

► **Pav.4:** 1. Akumulatoriaus indikatorius 2. Tikrinimo mygtukas

Paspauskite tikrinimo mygtuką, kad būtų rodoma likusi akumulatoriaus energija. Akumuliatorių indikatoriai parodo atitinkamo akumulatoriaus galią.

Akumulatoriaus indikatoriaus būseną			Likusi akumuliatorių galia
Šviečia	Nešviečia	Blyksi	
			50–100 %
			20–50 %
			0–20 %
			Įkraukite akumuliatorių

Likusios akumulatoriaus galios rodymas

Tik akumulatoriaus kasetėms su indikatoriumi

► **Pav.5:** 1. Indikatorijų lemputės 2. Tikrinimo mygtukas

Paspauskite akumulatoriaus kasetės tikrinimo mygtuką, kad būtų rodoma likusi akumulatoriaus energija. Maždaug trims sekundėms užsidegs indikatorijų lemputės.

Indikatorijų lemputės			Likusi galia
Šviečia	Nešviečia	Blyksi	
			75 - 100 %
			50 - 75 %
			25 - 50 %
			0 - 25 %
			Įkraukite akumuliatorių.
			Galimai įvyko akumuliatoriaus veikimo triktis.

PASTABA: Rodmuo gali šiek tiek skirtis nuo faktinės energijos lygio – tai priklauso nuo naudojimo sąlygų ir aplinkos temperatūros.

Jungiklio veikimas

⚠️ JSPĖJIMAS: Prieš montuodami akumulatoriaus kasetę įrankyje, visuomet patikrinkite, ar gaidukas tinkamai veikia ir atleistas grįžta į išjungimo padėtį „OFF“.

► **Pav.6:** 1. Atlaisvinimo mygtukas 2. Gaidukas

Fiksavimo svirtelė yra skirta apsaugoti gaiduką nuo atsitiktinio paspaudimo. Norėdami įjungti įrankį, spauskite atlaisvinimo mygtuką ir patraukite svirtinį gaiduką. Norėdami išjungti, atleiskite svirtinį gaiduką.

⚠️ JSPĖJIMAS: NIEKADA neužklijuokite atlaisvinimo mygtuko lipnia juostele ir nepanaikinkite jo funkcijos kitomis priemonėmis. Jungiklis su užblokuotu atlaisvinimo mygtuku gali netyčia įjungti įrankį ir operatorius gali būti sunkiai sužeistas.

⚠️ JSPĖJIMAS: NIEKADA nenaudokite įrankio, jei jis veikia nuspaudus tik gaiduką, tačiau nenuspaudus atlaisvinimo mygtuko. Jungiklis, kurį reikia taisyti, gali netyčia įjungti įrankį ir operatorius gali būti sunkiai sužeistas. PRIEŠ pradėdami vėl naudoti įrankį, atiduokite jį suremontuoti į „Makita“ techninės priežiūros centrą.

PASTABA: Negalima stipriai spausti jungiklio gaiduko, nenuspaudus atlaisvinimo mygtuko. Taip galima sugadinti jungiklį.

Apkrovos būsenos indikatorius

Apkrovos būsenos indikatorius rodo variklio apkrovos lygį pjaunant. Didėjant variklio apkrovai, didėja šviečiančių lemputių skaičius.

► **Pav.7:** 1. Apkrovos būsenos indikatorius

Įspėjimas apie perkrovą

Variklį naudojant pernelyg didele apkrova, mirksės visos apkrovos būsenos indikatoriaus lemputės. Toku atveju sumažinkite variklio tenkančią apkrovą. Jei variklis ir toliau bus apkraunamas, kol mirksi apkrovos būsenos indikatorius, dėl apsaugos nuo perkrovos po kelių sekundžių įrankis automatiškai bus sustabdytas.

PASTABA: Jei iš karto varikliui tenka didelė apkrova, įrankis automatiškai sustabdomas, o apkrovos būsenos indikatorius nemirksi.

Tarpas tarp spaustuvo ir kreipiklio plokštės

⚠️ PERSPĖJIMAS: Nustatę intervalą tarp spaustuvo ir kreipiklio plokštės, išitikinkite, kad kreipiklio plokštė tinkamai fiksuojama. Nepakankamai fiksuojant galima patirti sužalojimų.

Galimi tokie spaustuvo nustatymo intervalai:

- 0 - 170 mm (pradinis nustatymas)
- 35 - 205 mm
- 70 - 240 mm

Jei dirbant reikalingas kitas nustatymas, tarpui arba intervalui pakeisti atlikite toliau nurodytus veiksmus.

Atsukite kreipiklio plokštės varžtą. Nustatykite kreipiklio plokštę į pageidaujamą padėtį, tuomet priveržkite varžtą.

► **Pav.8:** 1. Varžtas 2. Kreipiklio plokštė

Pjovimo kampo reguliavimas

⚠ PERSPĖJIMAS: Sureguliuavę kreiptuvo plokštės kampą, įsitikinkite, kad ji tinkamai fiksuojama. Nepakankamai fiksuojant galima patirti sužalojimų.

⚠ PERSPĖJIMAS: Nenaudokite įrankio, kai medžiaga nėra tvirtai fiksuojama spaustuvo, atliekant kampinį pjūvį.

Sukite svirtį prieš laikrodžio rodyklę. Pakreipkite kreipiklio plokštę pageidaujamu kampu, tuomet iki galo priveržkite svirtį.

► **Pav.9:** 1. Kreipiklio plokštė 2. Svirtis

PASTABA: Ant kreipiamosios plokštelės esanti skalė tėra apytikrė indikacija. Norėdami nustatyti smalesnį kampą, naudokite matlankį arba trikampę liniuotę. Laikykite rankenėlę nuleistą, kad pjovimo diskas nusileistų į pagrindą. Tuo pat metu matlankiu arba trikampę liniuote nustatykite kampą tarp kreipiamosios plokštelės ir pjovimo disko.

Apsaugos nuo kibirkščių reguliavimas

Priklausomai nuo šalies

Apsauga nuo kibirkščių sumontuota gamykloje taip, kad jos apatinis kraštas liestų pagrindą. Dirbant su įrankiu, kai apsauga yra tokioje padėtyje, liks labai daug kibirkščių. Atlaisvinkite varžtą ir nustatykite apsaugą nuo kibirkščių į tokia padėtį, kurioje kibirkščiaavimas būtų mažiausias.

► **Pav.10:** 1. Varžtas 2. Apsauga nuo kibirkščių

Elektroninė funkcija

Jruginiais, turinčiais elektroninę funkciją, lengva naudotis dėl toliau nurodytų veikimo savybių.

Tolygaus įjungimo funkcija

Tolygus įjungimas dėl nuslopinto įjungimo smūgio.

SURINKIMAS

⚠ PERSPĖJIMAS: Prieš pradėdami dirbti su įrankiu, visuomet būtinai jį išjunkite ir išimkite akumulatoriaus kasetę. Neišjungus įrankio ir neišėmus akumulatoriaus kasetės, netyčia įjungus įrankį galima sunkiai susižeisti.

Centrinės gaubto tipo apsaugos atidarymas

Priklausomai nuo šalies

Kai naudojate įrankius su centre gaubto tipo apsauga, pirmiausia atlaisvinkite suveržimo varžtą, tada pakelkite apsaugą.

► **Pav.11:** 1. Suveržimo varžtas

Europinio tipo apsaugos atidarymas

Priklausomai nuo šalies

Kai naudojate įrankius su europinio tipo apsauga, pirmiausia atlaisvinkite suveržimo varžtą, tada apsaugą atidarykite, kaip parodyta.

► **Pav.12:** 1. Suveržimo varžtas

► **Pav.13**

► **Pav.14**

Nupjovimo disko uždėjimas ir nuėmimas

⚠ PERSPĖJIMAS: Būtinai patikimai priveržkite veržtuvą. Nepakankamai priveržus galima patirti sunkių sužalojimų.

⚠ PERSPĖJIMAS: Visuomet naudokite tik tinkamas vidines ir išorines junges, pateikiamas kartu su įrankiu.

⚠ PERSPĖJIMAS: Pakeitę diską nauju, visada nuleiskite nupjovimo disko apsaugą.

⚠ PERSPĖJIMAS: Dirbdami su diskais naudokite pirštines.

Pakelkite saugos apsaugą. Laikydami nuspaudę ašies fiksatorių, sukite veržtuvą prieš laikrodžio rodyklę. Tada nuimkite veržtuvą, išorinę jungę ir nupjovimo diską. Nuimdami nupjovimo diską, nuimkite vidinės jungės, žiedo ir sandarinimo žiedo.

► **Pav.15:** 1. Ašies fiksatorius 2. Veržtuvas

► **Pav.16:** 1. Vidinė jungė 2. Žiedas 3. Sandarinimo žiedas 4. Nupjovimo diskas 5. Išorinė jungė 6. Veržtuvas

Jei norite uždėti nupjovimo diską, atlikite nuėmimo procedūrą atvirkščia tvarka. Įsitikinkite, ar nupjovimo disko anga sutampa su žiedu, taip pat uždėkite apsaugą.

NAUDOJIMAS

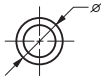
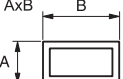
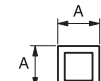

⚠ PERSPĖJIMAS: Pagal pjovimo metu kylančių kibirkščių kiekį galima spręsti apie tai, ar pjovimo metu tinkamai spaudžiama rankena ir ar pjauama efektyviausiai. Tačiau nepjunkite spausdami rankeną per daug stipriai. Dėl to gali sumažėti pjovimo efektyvumas, per anksti susidėvėti diskas ir galima sugadinti įrankį, pjovimo diską arba ruošinį.

Tvirtai laikykite rankeną. Įjunkite įrankį ir palaukite, kol nupjovimo diskas pradės sukis visu greičiu, tada atsargiai nuleiskite jį į pjūvį. Nupjovimo diskui prisilietus prie ruošinio, palaipsniui spauskite rankeną ir pradėkite pjauti. Pabaigę pjauti, išjunkite įrankį ir, prieš sugrąžindami rankeną į aukščiausią padėtį, **palaukite, kol nupjovimo diskas visiškai sustos.**

Pjovimo našumas

Maksimalus pjovimo našumas skiriasi atsižvelgiant į pjovimo kampą ir ruošinio formą.

Didžiausia pjovimo galia naudojant naują nupjovimo diską

Pjovimo kampas / ruošinio forma	90°	45°
	ø 127 mm	ø 127 mm
	115 x 130 mm 102 x 194 mm 70 x 233 mm	115 x 103 mm
	119 x 119 mm	106 x 106 mm
	137 x 137 mm	100 x 100 mm

PASTABA: Šiuo įrankiu rekomenduojama pjauti plonesnį kaip 1,6 mm ruošinį.

Ruošinio pritvirtinimas

▲PERSPĖJIMAS: Kai tvirtinate ruošinį, visada sriegių laikiklį uždėkite ant ašies sriegių. Jeigu nesilaikysite šio nurodymo, ruošinys gali būti suspaustas nepakankamai. Todėl jis gali būti išstumtas arba gali pavojingai sutrūkti nupjovimo diskas.

Kol sriegių laikiklis pakeltas, spaustuvą galima greitai pastumti į vidų ir išorę. Norėdami suspausti ruošinį, stumkite rankenėlę, kol spaustuvo plokštė paliečia ruošinį, tada grąžinkite sriegių laikiklį. Sukite rankenėlę prieš laikrodžio rodyklę, kol ruošinys bus gerai įtvirtintas.

► **Pav.17:** 1. Rankenėlė 2. Sriegių laikiklis
3. Spaustuvo plokštė

Kai nupjovimo diskas pastebimai susidėvi, už ruošinio dėkite skėtiklį taip, kaip parodyta paveikslėlyje. Nusidėvėjusį diską galima naudoti efektyviau, ruošinį pjaunant disko pakraštyje esančiu viduriniu tašku. Naudokite tvirtos ir nedegios medžiagos skėtiklį.

► **Pav.18:** 1. Skėtiklis

Pjudami platesnius nei 85 mm ruošinius kampu, prie kreipiklio plokštės pritvirtinkite tiesų, ilgesnį nei 190 mm x 40 mm pločio medžio gabalėlį (skėtiklį), kaip parodyta paveikslėlyje. Šį skėtiklį priveržkite varžtais, įkišdami juos į kreipiklio plokštės skylės. Įsitikinkite, ar nuspaudus įrankio galvutę nupjovimo diskas nelielia skėtiklio.

► **Pav.19:** 1. Kreipiklio plokštė 2. Skėtiklis (daugiau nei 190 mm ilgio x40 mm pločio)
3. Ruošinys (platesnis nei 85 mm)
4. Spaustuvo plokštė

PASTABA: Naudodami skėtiklį įdėkite kreiptuvo plokštę į vietą, esančią arčiausiai įrankio galvutės kaktiuku.

► **Pav.20**

Kai nupjovimo diskas pastebimai susidėvi, pjovimo padėtį pakelkite padėdami šiek tiek už ruošinį siauresnį skėtiklį, kaip parodyta paveikslėlyje. Tai padės ekonomiškiau naudoti nupjovimo diską.

► **Pav.21:** 1. Spaustuvo plokštė 2. Ruošinio skersmuo
3. Kreipiklio plokštė 4. Skėtiklio plotis

Ilgus ruošinius iš abiejų pusių privaloma paremti trinkelėmis, kad jie būtų tame pačiame lygyje kaip ir pagrindas. Naudokite iš nedegių medžiagų pagamintas atramines trinkeles.

► **Pav.22:** 1. Atraminė trinkelė

Įrankio nešimas

Prieš nešdami išimkite akumulatorius ir nulenkite įrankio galvutę žemyn, tada ją užfiksukite. Neškite laikydami už rankenos.

► **Pav.23**

TECHNINĖ PRIEŽIŪRA

▲PERSPĖJIMAS: Visuomet įsitikinkite, ar įrankis yra išjungtas ir akumulatoriaus kasetė yra nuimta prieš atlikdami apžiūrą ir priežiūrą.

PASTABA: Niekada nenaudokite gazolino, benzino, tirpiklio, spirito arba panašių medžiagų. Gali atsirasti išblukimų, deformacijų arba įtrūkimų.

Kad gaminys būtų SAUGUS ir PATIKIMAS, jį taisyti, apžiūrėti ar vykdyti bet kokią kitą priežiūrą ar derinimą turi įgaliotasis kompanijos „Makita“ techninės priežiūros centras; reikia naudoti tik kompanijos „Makita“ pagamintas atsargines dalis.

PASIRENKAMI PRIEDAI

▲PERSPĖJIMAS: Šiuos papildomus priedus arba įtaisus rekomenduojama naudoti su šioje instrukcijoje nurodytu „Makita“ bendrovės įrankiu. Naudojant bet kokius kitus papildomus priedus arba įtaisus, gali kilti pavojus sužeisti žmones. Naudokite tik nurodytam tikslui skirtus papildomus priedus arba įtaisus.

Jeigu norite daugiau sužinoti apie tuos priedus, kreipkitės į artimiausią „Makita“ techninės priežiūros centrą.

- Šlifuojamieji pjovimo diskai
- Originalus „Makita“ akumulatorius ir įkroviklis

PASTABA: Kai kurie sąrašė esantys priedai gali būti pateikti įrankio pakuotėje kaip standartiniai priedai. Jie įvairiose šalyse gali skirtis.

TEHNILISED ANDMED

Mudel:		DLW140
Ketta läbimõõt		355 mm
Ava läbimõõt		25,4 mm
Max ketta paksus		3 mm
Koormuseta kiirus		3 800 min ⁻¹
Nimipinge		Alalisvool 36 V
Mõõtmed (P × L × K)	Euroopas kasutusel olevat tüüpi kaitsepiirde korral	537 mm × 290 mm × 640 mm
	Väljaspool Euroopat kasutusel olevat tüüpi kaitsepiirde korral	537 mm × 280 mm × 640 mm
	Keskkatte-tüüpi kaitsepiirde korral	537 mm × 280 mm × 640 mm
Netokaal	Euroopas kasutusel olevat tüüpi kaitsepiirde korral	17,2 - 17,8 kg
	Väljaspool Euroopat kasutusel olevat tüüpi kaitsepiirde korral	15,6 - 16,3 kg
	Keskkatte-tüüpi kaitsepiirde korral	15,4 - 16,0 kg

- Meie pideva uuringu- ja arendusprogrammi tõttu võidakse tehnilisi andmeid muuta ilma sellest ette teatamata.
- Tehnilised andmed võivad riigiti erineda.
- Kaal võib erineda olenevalt lisaseadistest, kaasa arvatud akukassetist. Kergeim ja raskeim kombinatsioon EPTA-protseduuri 01/2014 kohaselt on toodud tabelis.
- Kuju ja kaal varieeruvad olenevalt tehnilistest andmetest, mis erinevad riigiti.

Sobiv akukassett ja laadija

Akukassett	BL1815N / BL1820 / BL1820B / BL1830 / BL1830B / BL1840 / BL1840B / BL1850 / BL1850B / BL1860B
Laadija	DC18RC / DC18RD / DC18RE / DC18SD / DC18SE / DC18SF

- Mõned eespool loetletud akukassetid ja -laadijad ei pruugi olla teie riigis saadaval.

⚠ HOIATUS: Kasutage ainult ülalpool loetletud akukasette ja laadijaid. Muude akukassetide ja laadijate kasutamine võib tekitada vigastusi ja/või tulekahju.

Kavandatud kasutus

Tööriist on ette nähtud raudmetalli lõikamiseks sobiva abrasiivse lõikekettaga. Järgige tolmu, töötervishoiu ja -ohutuse kohta kehtestatud riiklikke seadusi ja eeskirju.

Müra

Tüüpiline A-korrigeeritud müratase, määratud standardi EN62841-3-10 kohaselt:
Helirõhutase (L_{pA}): 103 dB (A)
Helivõimsuse tase (L_{WA}): 115 dB (A)
Määramatus (K): 3 dB (A)

⚠ HOIATUS: Kasutage kõrvakaitsmeid.

Vibratsioon

Vibratsiooni koguväärtus (kolmeteljeliste vektorite summa) määratud standardi EN62841-3-10 kohaselt:
Vibratsiooniheide (a_h): 2,5 m/s²
Määramatus (K): 1,5 m/s²

MÄRKUS: Deklareeritud vibratsiooniheite väärtus on mõõdetud kooskõlas standardse testimismeetodiga ning seda võib kasutada ühe seadme võrdlemiseks teisega.

MÄRKUS: Deklareeritud vibratsiooniheite väärtust võib kasutada ka mürataseme esmaseks hindamiseks.

⚠ HOIATUS: Vibratsiooniitase võib elektritööriista tegelikkuses kasutamise ajal erineda deklareeritud väärtusest olenevalt tööriista kasutamise viisidest.

⚠ HOIATUS: Rakendage operaatori kaitsmiseks kindlasti piisavaid ohutusabinõusid, mis põhinevad hinnangulisel müratasemel tegelikus tööolukorras (võttes arvesse tööperioodi kõiki osasid, nagu näiteks korrad, kui seade lülitatakse välja ja seade töötab tühikäigul, lisaks tööajale).

EÜ vastavusdeklaratsioon

Ainult Euroopa riikide puhul

EÜ vastavusdeklaratsioon sisaldub käesoleva juhendi Lisas A.

OHUTUSHOIATUSED

Üldised elektritööriistade ohutushoiatused

⚠️HOIATUS: Lugege läbi kõik selle elektritööriistaga kaasas olevad ohutushoiatused, juhised, joonised ja tehnilised andmed. Järgnevate juhiste eiramine võib põhjustada elektrilöögi, süttimise ja/või raske kehavigastuse.

Hoidke edaspidisteks viideteks alles kõik hoiatused ja juhtnöörid.

Hoiatuses kasutatud termini „elektritööriist“ all peetakse silmas elektriga töötavaid (juhtmega) elektritööriistu või akuga töötavaid (juhtmeta) elektritööriistu.

Lõikeseadme ohutushoiatused

1. Seadke ennast ja kõrvalseisvaid inimesi pöörleva lõikeketta tasapinnast eemale. Kaitse aitab kaitsta kasutajat purunenud ketta tükide ja kettaga juhusliku kokkupuute eest.
2. Kasutage elektritööriistaga ainult kunstvauguga liimitud ja tugevdatud lõikekettaid. See, et tarvikut on võimalik elektritööriista külge kinnitada, ei taga veel ohutut töötamist.
3. Tarviku nimikiirus peab olema vähemalt võrdne elektritööriista märgitud maksimaalse kiirusega. Nimikiirusest kiiremini pöörlevad tarvikud võivad puruneda ja tükkidena lialli lennata.
4. Lõikekettaid võib kasutada ainult soovitatud rakendusteks. Näide: ärge lihvige lõikeketta servaga. Abrasiivsed lõikekettad on ette nähtud äärlühvimiseks; selliste ketastele küljelül rakenduvad jõud võivad ketta purustada.
5. Kasutage alati kahjustamata kettaäärrikuid, mis on valitud ketast arvestades õige suurusega. Sobivad kettaäärrikud toetavad ketast ja vähendavad ketta purunemise tõenäosust.
6. Teie tarviku välisläbimõõt ja paksus peavad jääma teie elektritööriista võimekuse piiridesse. Valed mõõtmetega tarvikuid ei ole võimalik korralikult kaitsta ega juhtida.
7. Ketaste ja äärikute ava suurus peab sobima korralikult elektritööriista õõlile. Kettad ja äärikud, mille ava suurus ei vasta elektritööriista kinnitussadele, lähevad tasakaalust välja, vibreerivad tugevalt ja võivad põhjustada kontrolli kaotamise.
8. Ärge kasutage kahjustatud kettaid. Kontrollige enne kasutamist kettaid mõrade ja välja tulnud tükide suhtes. Kui elektritööriist või ketas peaks maha kukkuma, kontrollige neid kahjustuste suhtes või paigaldage terve ketas. Pärast ketta kontrollimist ja paigaldamist hoidke end ja kõrvalseisvaid inimesi pöörleva ketta tasapinnast eemal ja laske elektritööriistalt töötada ühe minuti vältel maksimaalsel kiirusel ilma koormuseta. Kahjustatud kettad purunevad tavaliselt selle aja jooksul.

9. Kandke isikukaitsevahendeid. Rakendusest olenevalt kasutage kas näokaitset või kaitseprille. Vajaduse korral kandke tolmu maski, kuulmiskaitsevahendeid, kindaid ja tööpõlle, mis on võimaline peatama väikeseid ketta- või töödeldava eseme fragmente. Silmade kaitsevahendid peavad suutma peatada erinevate toimingute käigus tekkinud lendavaid prahiosakesi. Tolmu mask või respiraator peavad suutma filtreerida teie tööoperatsiooni käigus tekkinud osakesi. Pikaajaline kokkupuutumine tugeva müraga võib põhjustada kuulmise nõrgenemist.
10. Hoidke kõrvalseisjad tööpiirkonnast ohutuskauguses. Kõik tööpiirkonda sisenevad isikud peavad kaitsema isikukaitsevahendeid. Töödeldava detaili või purunenud ketta fragmentid võivad eemale paiskuda ja põhjustada kehavigastusi ka töötamiskohast kaugel.
11. Puhastage regulaarselt elektritööriista ventilatsioonivahendid. Mootori ventilatorid võivad tõmmata tolmu seadme korpuse sisse ning suured metallipulbrikogused võivad põhjustada elektriõhte.
12. Ärge kasutage elektritööriista kergsüttivate materjalide lähedal. Ärge kasutage elektritööriista, kui see on asetatud süttivale pinnale, näiteks puidule. Sädemed võivad sellised materjalid süüdata.
13. Ärge kasutage jahutusvedelikke kasutatavad tarvikud. Vee või mõne muu jahutusvedeliku kasutamine võib põhjustada elektrilöögi.

Tagasilöökk ja sellega seotud hoiatused

Tagasilöökk on ootamatu reaktsioon kinnikiilunud või takerdunud pöörlevale kettale. Kinnikiilumine või takerdumine põhjustab pöörleva ketta kiire seiskumise, mis omakorda toob kaasa lõikeseadme kontrollimatu paiskumise kasutaja poole. Kui lõikeketas kiilib kinni või takerdub näiteks töödeldavasse detaili, võib kinnijäämiskohta sisenev ketta serv materjali pinda tungida ja põhjustada ketta väljatulemise või tagasilöögi. Abrasiivkettad võivad sellises olukorras ka puruneda. Tagasilöökk on elektritööriista väärkasutamise ja/või valede töövõtete või -tingimuste tulemus ning seda on võimalik alljärgnevalt kirjeldatud ettevaatusabinõusid rakendades vältida.

1. Hoidke elektritööriista käepidemest tugevalt kinni ja võtke selline keha ja käte asend, et saavutada võimalike tagasilööggijõudude üle kontroll. Kasutaja saab kontrollida üles suunatud tagasilööggijõude, kui sobivad ettevaatusabinõud on rakendatud.
2. Ärge seadke oma keha pöörleva kettaga ühele joonele. Tagasilöögi korral paiskub lõikeseade üles kasutaja poole.
3. Ärge kinnitage saeketast, puunikerdustera, segmenteeritud teemantketast, mille servavahe on suurem kui 10 mm, ega hammastega saetera. Sellised terad põhjustavad sageli tagasilööke ja kontrolli kaotamist.
4. Ärge suruge ketta peale ega rakendage ülemäärast jõudu. Ärge üritage ülemäärast sügavat lõiget teha. Kettale ülemäärase pinge rakendamine suurendab koormust ja lõikava ketta väändumise või kinnijäämise ohtu ning tagasilöögi või ketta purunemise tõenäosust.
5. Kui ketas hakkab kinni jääma või mõnel muul põhjusel katkestamisel lülitage elektritööriist välja ja hoidke lõikeseadet liikumatult, kuni ketas on täielikult seiskunud. Ärge üritage lõikesoonest eemaldada pöörlevat ketast, kuna see võib põhjustada tagasilööki. Selgitage välja, mis võis ketta kinnijäämist põhjustada, ja kõrvaldage põhjus.

- Ärge alustage lõikamist töödeldava detaili sees. Laske kettal saavutada täiskiirus ja sisestage see uuesti ettevaatlikult lõikesoonde. Elektritööriista töödeldava detaili sees käivitamisel võib ketas kinni jääda või põhjustada tagasilöögi.
- Toestage suured töödeldavad detailid, et vähendada kinnikiilumis- ja tagasilöögiohtu. Suured töödeldavad detailid kipuvad oma enda raskuse all kokku vajuma. Töödeldava detaili lõikejoone ja serva lähedale kettast mõlemale poole tuleb töödeldava detaili alla asetada toed.

Lisaettevaatusabinõud

- Pöörake seadme kasutamisel tähelepanu lenduvatele sädemetele. Sädemed võivad põhjustada vigastusi või süüdata põlevaid materjale.
- Fikseerige töödeldav detail. Võimaluse korral kasutage töödeldava detaili fikseerimiseks näpitsaid või kruustange. See on töödeldava detaili kääga kinni hoidmisest ohutum ning jätab tööriista kasutamiseks mõlemad käed vabaks.
- Kinnitage lõikeketas korralikult.
- Olge ettevaatlik, et mitte kahjustada võlli, äärikuid (eriti nende paigalduspinda) või polti, sest sel juhul võib lõikeketas puruneda.
- Hoidke piirdeid oma kohal ja töökorras.
- Hoidke kindlalt käepidemest.
- Hoidke käd pöörlevatest osadest eemal.
- Enne lüliti sisselülitamist veenduge, et lõikeketas ei oleks töödeldava detailiga kokkupuutes.
- Pöörake enne kasutamist tähelepanu võbelusele või tugevale vibratsioonile, mis võiks anda märku halvasti paigaldatud või tasakaalustatud kettast.
- Eemaldage tööpiirkonnast materjal või ehituspraht, mis võib sädemetest süttida. Veenduge, et sädemete levikupiirkonnas ei oleks inimesi. Hoidke läheduses kättesaadaval õiget tulekustutit.
- Kui lõikeketas seiskub töö käigus, tekitab eba-harilikku müra või hakkab vibreerima, lülitage tööriist viivitamatult välja.
- Enne töödeldava detaili eemaldamist või kinnitamist, kruustangide kasutamist, tööasendi ja nurga muutmist või lõikeketta vahetamist lülitage tööriist alati välja ning oodake, kuni lõikeketas on täielikult seiskunud.
- Ärge puudutage töödeldavat detaili vahetult pärast töötlemist. See võib olla väga kuum ja põhjustada põletushaavu.
- Hoidke kettaid ainult kuivades tingimustes.

HOIDKE JUHEND ALLES.

Akukassetiga seotud olulised ohutusjuhised

- Enne akukassetti kasutamist lugege (1) akulaadidial, (2) akul ja (3) seadmel olevad juhtnõidrid ja hoiatused läbi.
- Ärge võtke akukassetti lahti.
- Kui tööaeg järsult lüheneb, siis lõpetage kohe kasutamine. Edasise kasutamise tulemuseks võib olla ülekuumenemisoht, võimalikud põletused või isegi plahvatus.

- Kui elektrolüüti satub silma, siis loputage silma puhta veega ja pöörduge koheselt arsti poole. Selline õnnetus võib põhjustada pimedaksjäämist.
- Ärge tekitage akukassetis lühist:
 - Ärge puutuge klemme elektrijuhtidega.
 - Ärge hoidke akukassetti tööriistakastis koos metalliesemetega, nagu naelad, mündid jne.
 - Ärge tehke akukassetti märjaks ega jätke seda vilma kätte.
- Aku lühis võib põhjustada tugevat elektri-voolu, ülekuumenemist, põletusi ning ka seadet tõsiselt kahjustada.
- Ärge hoidke tööriista ja akukassetti kohtades, kus temperatuur võib tõusta üle 50 °C.
- Ärge põletage akukassetti isegi siis, kui see on saanud tõsiselt vigastada või on täiesti kulu-nud. Akukassett võib tules plahvatada.
- Olge ettevaatlik, ärge laske akul maha kukkuda ja vältige lööke.
- Ärge kasutage kahjustatud akut.
- Sisalduvatele liitium-ioonakudele võivad kohal-dunda ohtlike kaupade õigusaktide nõuded. Kaubanduslikul transportimisel, näiteks kolman-date poolte või transpordiettevõtete poolt, tuleb järgida pakendil ja siltidel toodud erinõudeid. Transportimiseks ettevalmistamisel on vajalik pidada nõu ohtliku materjali eksperdiga. Samuti tuleb järgida võimalike riiklike regulatsioonide üksikasjalikumaid nõudeid. Katke teibiga või varjake avatud kontaktid ja pakendage aku selliselt, et see ei saaks pakendis liikuda.
- Järgige kasutuskõlbatuks muutunud aku käitlemisel kohalikke eeskirju.
- Kasutage akusid ainult Makita heaks kiidetud toodetega. Akude paigaldamine selleks mitte ettenähtud toodetele võib põhjustada süttimist, ülemäärast kuumust, plahvatamist või elektrolüüdi lekkimist.

HOIDKE JUHEND ALLES.

⚠ETTEVAATUST: Kasutage ainult Makita originaalakusid. Mitte Makita originaalakude või muudetud akude kasutamine võib põhjustada akude süttimise, kehavigastuse ja kahjustuse. Samuti muu-dab see kehtetuks Makita tööriista ja laadija Makita garantii.

Vihjeid aku maksimaalse kasu-tusaja tagamise kohta

- Laadige akukassetti enne selle täielikku tühjenemist. Kui märkate, et tööriist töötab väiksema võimsusega, peatage töö ja laadige akukassetti.
- Ärge laadige täielikult laetud akukassetti. Ülelaadimine lühendab akude kasutusiga.
- Laadige akukassetti toatemperatuuril 10 °C - 40 °C. Enne laadimist laske kuumenenud aku-kassetil maha jahtuda.
- Kui te ei kasuta akukassetti kauem kui kuus kuud, laadige see.

PAIGALDAMINE

⚠ HOIATUS: See tööriist tekitab töödeldavat eset lõigates sädemeid. Ärge paigaldage tööriista kohta, kus tööriistalt lähtuvad sädeimed võivad süüdata kergsüttivaid ja/või plahvatusohtlikke materjale. Veenduge enne töötamise algust, et tööriista lähedal ei oleks selliseid materjale.

Aluse kinnitamine

Tööriist tuleks kahe poldi abil kinnitada tasasele ja stabiilsele pinnale, kasutades tööriista alusel olevaid poldiauke. See aitab vältida ümberminekut ja võimalikke kehavigastusi.

► **Joon.1:** 1. Poldiavad 2. Alus

FUNKTSIONAALNE KIRJELDUS

⚠ HOIATUS: Kandke alati hoolt selle eest, et tööriist oleks enne selle reguleerimist või funktsioonide kontrollimist välja lülitatud ning akukasett eemaldatud. Kui jätta tööriist välja lülitamata ja akukasett eemaldamata, võib selle tagajärjeks olla tööriista juhuslikust käivitumisest tingitud raske kehavigastus.

Tööriista pea vabastamine/lukustamine

Tööriista pead on võimalik lukustada. Kui seadet ei kasutata või siis seadme kandmisel peab tööriista pea olema alati lukustatud.

Vabastamiseks vajutage kergelt tööriista pead ja vajutage lukustustihvti. Lukustamiseks pange lukustustihvt tagasi oma kohale, hoides samal ajal tööriista pead all.

► **Joon.2:** 1. Lukustustihvt

Akukasetti paigaldamine või eemaldamine

⚠ ETTEVAATUST: Lülitage tööriist alati enne akukasetti paigaldamist või eemaldamist välja.

⚠ ETTEVAATUST: Akukasetti paigaldamisel või eemaldamisel tuleb tööriista ja akukasetti kindlalt paigal hoida. Kui tööriista ja akukasetti ei hoita kindlalt paigal, võivad need käest libiseda ning kahjustada tööriista ja akukasetti või põhjustada kehavigastusi.

► **Joon.3:** 1. Punane näidik 2. Nupp 3. Akukasett

Akukasetti eemaldamiseks libistage see tööriista küljest lahti, vajutades kasseti esiküljel paiknevat nuppu alla.

Akukasetti paigaldamiseks joondage akukasetti keel korpuse soonega ja libistage kassett oma kohale. Paigaldage akuadapter alati nii kaugele, et see lukustuks klõpsatusega oma kohale. Kui näete nupu ülaosas punast osa, pole kassett täielikult lukustunud.

⚠ ETTEVAATUST: Paigaldage akukasett alati täies ulatuses nii, et punast osa ei jääks näha.

Muidu võib adapter juhuslikult tööriistast välja kukkuda ning põhjustada teile või läheduses viibivatele isikutele vigastusi.

⚠ ETTEVAATUST: Ärge rakendage akukasetti paigaldamisel jõudu. Kui kassett ei lähe kergesti sisse, pole see õigesti paigaldatud.

MÄRKUS: Tööriist ei tööta ainult ühe akukasettiga.

Tööriista/aku kaitsesüsteem

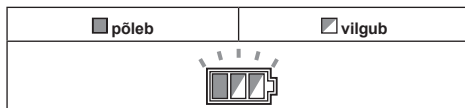
Tööriist on varustatud tööriista või aku kaitsesüsteemiga. Süsteem lülitab mootori automaatselt välja, et pikendada tööriista ja aku tööiga. Tööriist seiskub käitamise ajal automaatselt, kui tööriista või aku kohta kehtib üks järgmistest tingimustest. Teatud tingimustes hakkavad indikaatorid põlema.

Ülekoormuskaitse

Kui tööriist hakkab kasutamise käigus tarbima ebaharilikult palju voolu, seiskub see automaatselt. Sellisel juhul lülitage tööriist välja ja lõpetage kasutamine, mis põhjustas tööriista ülekoormuse. Pärast seda käivitage tööriist uuesti.

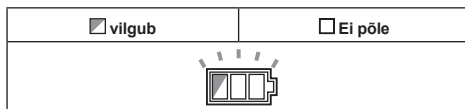
Ülekuumenemiskaitse

Kui tööriist on ülekuumenenud, seiskub see automaatselt ja aku indikaator vilgub umbes 60 sekundit. Sellises olukorras laske tööriistal enne uuesti sisselülitamist maha jahtuda.



Ülelaadimiskaitse

Kui aku jääkmahtuvus on ebapiisav, seiskub tööriist automaatselt ning tühjenenud akukasetti aku indikaator hakkab vilkuma. Kui seade ei hakka tööle ka lülitate kasutamisel, eemaldage tööriistast tühjenenud akukasett ja laadige seda.



Aku jääkmahutavuse näit

► **Joon.4:** 1. Akunäidik 2. Kontrollimise nupp

Aku järelejäänud mahutavuse kontrollimiseks vajutage kontrollimise nuppu. Kummalgi akul on oma akuindikaator.

Akunäidiku olek			Aku jääkmahutavus
Pöleb	Ei põle	Vilgub	
			50% kuni 100%
			20% kuni 50%
			0% kuni 20%
			Laadige akut

Aku jääkmahutavuse näit

Ainult näidikuga akukassettidele

► **Joon.5:** 1. Märkulambid 2. Kontrollimise nupp

Akukasseti järelejäänud mahutavuse kontrollimiseks vajutage kontrollimise nuppu. Märkulambid süttivad mõneks sekundiks.

Märkulambid			Jääkmahutavus
Pöleb	Ei põle	Vilgub	
			75 - 100%
			50 - 75%
			25 - 50%
			0 - 25%
			Laadige akut.
			Akul võib olla tõrge.

MÄRKUS: Näidatud mahutavus võib veidi erineda tegelikust mahutavusest olenevalt kasutustingimustest ja ümbritseva keskkonna temperatuurist.

Lüliti funktsioneerimine

▲HOIATUS: Kontrollige alati enne akukasseti tööriista külge paigaldamist, kas lüliti päästik funktsioneerib nõuetekohaselt ja liigub lahtilaskmisel tagasi väljalülitatud asendisse.

► **Joon.6:** 1. Lahtilukustusnupp 2. Lüliti päästik

Et vältida lüliti päästiku juhuslikku vajutamist, on tööriistal lahtilukustusnupp. Tööriista käivitamiseks vajutage lahtilukustusnuppu alla ja vajutage lüliti päästikut. Vabastage lüliti päästik tööriista seiskamiseks.

▲HOIATUS: Lahtilukustusnupu fikseerimine kleplindi vms-ga on KEELATUD. Inaktiveeritud lahtilukustusnupuga lüliti võib põhjustada masina soovimatu sisselülitumise, millega kaasnevad tõsised vigastused.

▲HOIATUS: ÄRGE kasutage KUNAGI masinat, kui see käivitus ka siis, kui lahtilukustusnuppu vajutama vajutate lihtsalt lüliti päästikut. Remonti vajav lüliti võib põhjustada masina soovimatu sisselülitumise, millega kaasnevad tõsised vigastused. ENNE edasist kasutamist viige masin parandamiseks Makita teeninduskeskusesse.

TÄHELEPANU: Ärge tõmmake lüliti päästikut tugevasti ilma lahtilukustusnuppu vajutamata. See võib põhjustada lüliti purunemise.

Koormuse indikaator

Koormuse indikaator osutab lõikamisaegsele mootori koormuse tasemele. Mootori koormuse tõustes suureneb valgustuvate tuled hulk.

► **Joon.7:** 1. Koormuse indikaator

Liigkoormuse hoiatus

Kui mootori koormus on käitamisel ülemäärane, hakkavad kõik koormuse indikaatori tuled vilkuma. Sellisel juhul vähendage mootori koormust. Kui jätkate mootori käitamist siis, kui koormuse indikaator vilgub, seiskub tööriist tänu liigkoormuskaitsele paari sekundi järel automaatselt.

MÄRKUS: Kui liigkoormust esineb vaid kord, seiskub tööriist automaatselt, ilma et koormuse indikaator vilkuma hakkaks.

Kinnitusrakise ja juhtplaadi vahekaugus

▲ETTEVAATUST: Kontrollige pärast kruustangide ja juhtplaadi vahekauguse kohandamist, kas juhtplaat on nõuetekohaselt fikseeritud. Ebapiisava fikseeritusega võivad kaasnededa kehavigastused.

Kruustangide vahekauguse kasutatavad seadistused on alljärgnevad.

- 0 - 170 mm (algsäte)
- 35 - 205 mm
- 70 - 240 mm

Kui töö eeldab teistsuguse seadistuse kasutamist, toimige vahekauguse muutmiseks alljärgnevalt.

Lõdvendage juhtplaadi kruvi. Viige juhtplaat soovitud kohta ja pingutage seejärel kruvi.

► **Joon.8:** 1. Kruvi 2. Juhtplaat

Lõikenurga reguleerimine

⚠ETTEVAATUST: Kontrollige pärast juhtplaadi nurga kohandamist, kas juhtplaat on nõuetekohaselt fikseeritud. Ebapiisava fikseeritusega võivad kaasna kehavigastused.

⚠ETTEVAATUST: Ärge kasutage tööriista, kui materjal ei ole lõikenurga tõttu kruustangidega korralikult fikseeritud.

Keerake hooba vastupäeva. Viige juhtplaat soovitud nurga alla ja keerake seejärel kruvi lõpuni kinni.

► **Joon.9:** 1. Juhtplaat 2. Hoob

MÄRKUS: Juhtplaadil olev skaala on ainult ligikaudne näit. Täpsema nurga saamiseks kasutage nurgamõõdikut või joonestuskolmnurka. Hoidke käepidet all niimoodi, et lõikeketas ulatuks alusesse. Samal ajal reguleerige juhtplaadi ja lõikeketta vahelist nurka, kasutades nurgamõõdikut või joonestuskolmnurka.

Sädemekaitsme reguleerimine

Riigiti erinev

Sädemekaits on tehases paigaldatud nii, et selle alumine serv puutub vastu tööriista alust. Kui tööriista kasutada sellises asendis, pääseb valla ohtralt sädemeid. Lõdvendage kruvi ja reguleerige sädemekaits selle sisse asendisse, mille puhul on õhku paiskuvate sädemete hulk minimaalne.

► **Joon.10:** 1. Kruvi 2. Sädemekaits

Elektrooniline funktsioon

Elektroonilise funktsiooniga varustatud tööriistu on tänu järgmistele omadustele lihtne kasutada.

Sujuvkäivituse funktsioon

Sujuvkäivituse tagab summutatud algtõuge.

KOKKUPANEK

⚠HOIATUS: Kandke alati hoolt selle eest, et tööriist oleks enne selle reguleerimist välja lülitatud ning akukassett eemaldatud. Kui jätate seadme välja lülitamata või aku eemaldamata, võib see lõppeda tõsise kehavigastusega.

Keskkatte tüüpi kaitsetõkke avamine

Riigiti erinev

Keskkatte tüüpi kaitsetõkkega tööriistade puhul lõdvendage esmalt kinnituskruvi ja tõstke tõke seejärel üles.

► **Joon.11:** 1. Kinnituskruvi

Euroopa tüüpi kaitsetõkke avamine

Riigiti erinev

Euroopa tüüpi kaitsetõkkega tööriistade puhul lõdvendage esmalt kinnituskruvi ja avage seejärel tõke näidatud moel.

► **Joon.12:** 1. Kinnituskruvi

► **Joon.13**

► **Joon.14**

Lõikeketta eemaldamine või paigaldamine

⚠ETTEVAATUST: Pingutage lisatarvikuklamber kindlasti korralikult. Ebapiisava pingutatusega võivad kaasna rasked vigastused.

⚠ETTEVAATUST: Kasutage alati ainult õigeid sise- ja välisäärikuid, mis on tööriistaga kaasas.

⚠ETTEVAATUST: Pärast lõikeketta vahetamist laske kaitsepiire alati alla.

⚠ETTEVAATUST: Kandke ketaste käsitsemisel kindaid.

Tõstke kaitsetõke üles. Keerake kinnitusklambrit vastupäeva, hoides völli lukku samas all. Seejärel eemaldage kinnitusklamber, välisäärik ja lõikeketas. Lõikeketta eemaldamisel ärge eemaldage siseäärikut, rõngast ega rõngastihendit.

► **Joon.15:** 1. Völli lukk 2. Kinnitusklamber

► **Joon.16:** 1. Siseäärik 2. Rõngas 3. Rõngastihend
4. Lõikeketas 5. Välisäärik
6. Lisatarvikuklamber

Lõikeketta paigaldamiseks tegutsuge eemaldamise protseduurile vastupidises järjekorras. Asetage lõikeketta ava kindlasti rõngale ja viige kaitsetõke tagasi oma kohale.

TÖÖRIISTA KASUTAMINE

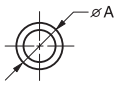
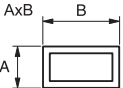
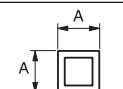
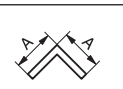
⚠ETTEVAATUST: Käepideme õige lõikamisegaegse surve ja maksimaalse lõiketõhususe määramiseks võib jälgida lõikamisel tekkivate sädemete hulka. Ärge tehke lõiget jõuga, avaldades käepidemele liiga suurt survet. Tagajärjeks võib olla lõiketõhususe vähenemine, ketta enneaegne kulumine ning tööriista, lõikeketta või töödeldava detaili kahjustus.

Hoidke kindlalt käepidemest. Lülitage tööriist sisse ja oodake, kuni lõikeketas saavutab täiskiruse, ning langetage see alles siis ettevaatlikult lõikekohale. Kui lõikeketas puutub vastu töödeldavat detaili, vajutage lõike tegemiseks käepidet järk-järgult alla. Kui lõige on tehtud, lülitage tööriist välja ja oodake, kuni lõikeketas on täielikult seiskunud, enne kui viite käepideme tagasi täielikult üles tõstetud asendisse.

Lõikejõudlus

Maksimaalne lõikejõudlus varieerub olenevalt lõikenurgast ja töödeldava detaili kujust.

Uue lõikeketta maksimaalne lõikejõudlus

Lõikenurk / töödeldava detaili kuju	90°	45°
	∅ 127 mm	∅ 127 mm
	115 x 130 mm 102 x 194 mm 70 x 233 mm	115 x 103 mm
	119 x 119 mm	106 x 106 mm
	137 x 137 mm	100 x 100 mm

MÄRKUS: Selle tööriistaga on soovitatav lõigata töödeldavaid detaile, mis on õhemad kui 1,6 mm.

Töödeldava detaili fikseerimine

ÄTTEVAATUST: Töödeldava detaili fikseerimisel pange varda keermetele alati keermeheidid. Selle juhise eiramisel ei pruugi töödeldav detail piisavalt fikseeritud olla. Selle tagajärjel võib töödeldav detail välja tulla või lõikeketas ohtlikult puruneda.

Keermehoidja tõstmisel saab kinnitusrakise plaati kiirelt sisse ja välja liigutada. Töödeldava eseme fikseerimiseks suruge käepide ettepoole, kuni kinnitusrakise plaat puutub vastu töödeldavat eset. Seejärel tooge keermehoidja tagasi. Pöörake käepidet päripäeva, kuni töödeldav ese on kindlalt kinnitatud.

► **Joon.17:** 1. Käepide 2. Keermehoidja 3. Kinnitusrakise plaat

Kui lõikeketas on märkimisväärselt kulunud, kasutage töödeldava detaili taga tödeldav tulekindlast materjalist distantsklotsi, nagu on joonisel näidatud. Kulunud kettaga saab tõhusamalt töötada, kui kasutada töödeldava detaili lõikamiseks ketta kaugemas osas asuvat keskpunkti. Kasutage distantsklotsina tugevat ja mittesüttivat materjali.

► **Joon.18:** 1. Distantsklots

Üle 85 mm laiuste detailide lõikamisel nurga all kinnitage juhtplaadi külge sirge puidutükk (vahetükk) pikkusega üle 190 mm ja laiusga üle 40 mm, nagu on joonisel näidatud. Kinnitage see vahetükk kruvidega läbi juhtplaadi olevate avade. Veenduge, et lõikeketas ei puutuks tööriista pea surumisel vastu vahetükki.

► **Joon.19:** 1. Juhtplaad 2. Distantsklots (üle 190 mm pikka ja üle40 mm lai) 3. Töödeldav ese (üle 85 mm lai) 4. Kinnitusrakise plaat

TÄHELEPANU: Distantsklotsi kasutamisel paigaldage juhtplaad tööriista pea kaelale võimalikult lähedale.

► **Joon.20**

Lõikeketta kulumisel tõstke lõikeasendit, kasutades selleks töödeldavat detailist veidi kitsamat distantsklotsi, nagu on näidatud joonisel. See võimaldab teil lõikeketast ökonoomselt kasutada.

► **Joon.21:** 1. Kinnitusrakise plaad 2. Töödeldava eseme läbimõõt 3. Juhtplaad 4. Distantsklotsi laius

Pikad töödeldavad detailid tuleb kummaltki poolt toetada klotsidega, et detail oleks aluspinnaga ühetasa. Kasutage mittesüttivat materjalist tugiklotsi.

► **Joon.22:** 1. Tugiklots

Tööriista kandmine

Enne transportimist eemaldage akud, klappige tööriista pea alla ja lukustage see. Hoidke transportimise ajal käepidemest.

► **Joon.23**

HOOLDUS

ÄTTEVAATUST: Enne kontrolli- või hooldustoimingute tegemist kandke alati hoolt selle eest, et tööriist oleks välja lülitatud ja akukassett korpuse küljest eemaldatud.

TÄHELEPANU: Ärge kunagi kasutage bensiini, vedeldit, alkoholi ega midagi muud sarnast. Selle tulemuseks võib olla luitumine, deformatsioon või pragunemine.

Toote OHUTUSE ja TÕÕKINDLUSE tagamiseks tuleb vajalikud remonttööd ning muud hooldus- ja reguleerimistööd lasta teha Makita volitatud teeninduskeskustes või tehase teeninduskeskustes. Alati tuleb kasutada Makita varuosi.

VALIKULISED TARVIKUD

ÄTTEVAATUST: Neid tarvikuid ja liseseadiseid on soovitatav kasutada koos Makita tööriistaga, mille kasutamist selles kasutusjuhendis kirjeldatakse. Muude tarvikute ja liseseadiste kasutamisega kaasneb vigastada saamise oht. Kasutage tarvikuid ja liseseadiseid ainult otstarbekohaselt.

Saate vajaduse korral kohalikust Makita teeninduskeskusest lisateavet nende tarvikute kohta.

- Abrasiivlõikekettad
- Makita algupärane aku ja laadija

MÄRKUS: Mõned nimekirjas loetletud tarvikud võivad kuuluda standardvarustusse ning need on lisatud tööriista pakendisse. Need võivad riigiti erineda.

ТЕХНИЧЕСКИЕ ХАРАКТЕРИСТИКИ

Модель:		DLW140
Диаметр диска		355 мм
Диаметр отверстия		25,4 мм
Макс. толщина диска		3 мм
Частота вращения без нагрузки		3 800 мин ⁻¹
Номинальное напряжение		36 В пост. тока
Размеры (Д × Ш × В)	С защитным кожухом европейского типа	537 мм × 290 мм × 640 мм
	С защитным кожухом другого типа	537 мм × 280 мм × 640 мм
	С защитным кожухом с центральной заглушкой	537 мм × 280 мм × 640 мм
Масса нетто	С защитным кожухом европейского типа	17,2 - 17,8 кг
	С защитным кожухом другого типа	15,6 - 16,3 кг
	С защитным кожухом с центральной заглушкой	15,4 - 16,0 кг

- Благодаря нашей постоянно действующей программе исследований и разработок указанные здесь технические характеристики могут быть изменены без предварительного уведомления.
- Технические характеристики могут различаться в зависимости от страны.
- Масса может отличаться в зависимости от дополнительного оборудования. Обратите внимание, что блок аккумулятора также считается дополнительным оборудованием. В таблице представлены комбинации с наибольшим и наименьшим весом в соответствии с процедурой ЕРТА 01/2014.
- Форма и масса различаются в зависимости от технических характеристик, различных в разных странах.

Подходящий блок аккумулятора и зарядное устройство

Блок аккумулятора	BL1815N / BL1820 / BL1820B / BL1830 / BL1830B / BL1840 / BL1840B / BL1850 / BL1850B / BL1860B
Зарядное устройство	DC18RC / DC18RD / DC18RE / DC18SD / DC18SE / DC18SF

- В зависимости от региона проживания некоторые блоки аккумуляторов и зарядные устройства, перечисленные выше, могут быть недоступны.

⚠ОСТОРОЖНО: Используйте только перечисленные выше блоки аккумуляторов и зарядные устройства. Использование других блоков аккумуляторов и зарядных устройств может привести к травме и/или пожару.

Назначение

Инструмент предназначен для резки цветных металлов с помощью подходящего абразивного отрезного диска. Соблюдайте все законы и нормативные акты, действующие в вашей стране, относительно безопасности и охраны здоровья во время пребывания на рабочих местах и запыленных территориях.

Шум

Типичный уровень взвешенного звукового давления (A), измеренный в соответствии с EN62841-3-10:
 Уровень звукового давления (L_{pA}): 103 дБ (A)
 Уровень звуковой мощности (L_{WA}): 115 дБ (A)
 Погрешность (K): 3 дБ (A)

⚠ОСТОРОЖНО: Используйте средства защиты слуха.

Вибрация

Суммарное значение вибрации (сумма векторов по трем осям), определенное в соответствии с EN62841-3-10:
 Распространение вибрации (a_h): 2,5 м/с²
 Погрешность (K): 1,5 м/с²

ПРИМЕЧАНИЕ: Заявленное значение распространения вибрации измерено в соответствии со стандартной методикой испытаний и может быть использовано для сравнения инструментов.

ПРИМЕЧАНИЕ: Заявленное значение распространения вибрации можно также использовать для предварительных оценок воздействия.

⚠ОСТОРОЖНО: Распространение вибрации во время фактического использования электроинструмента может отличаться от заявленного значения в зависимости от способа применения инструмента.

⚠ОСТОРОЖНО: Обязательно определите меры безопасности для защиты оператора, основанные на оценке воздействия в реальных условиях использования (с учетом всех этапов рабочего цикла, таких как выключение инструмента, работа без нагрузки и включение).

Декларация о соответствии ЕС

Только для европейских стран

Декларация о соответствии ЕС включена в руководство по эксплуатации (Приложение А).

МЕРЫ БЕЗОПАСНОСТИ

Общие рекомендации по технике безопасности для электроинструментов

⚠ОСТОРОЖНО: Ознакомьтесь со всеми представленными инструкциями по технике безопасности, указаниями, иллюстрациями и техническими характеристиками, прилагаемыми к данному электроинструменту. Несоблюдение каких-либо инструкций, указанных ниже, может привести к поражению электрическим током, пожару и/или серьезной травме.

Сохраните брошюру с инструкциями и рекомендациями для дальнейшего использования.

Термин "электроинструмент" в предупреждениях относится ко всему инструменту, работающему от сети (с проводом) или на аккумуляторах (без провода).

Техника безопасности при использовании отрезной машины

- Вы и сторонние наблюдатели должны находиться на максимально возможном расстоянии от плоскости вращения диска.** Ограждение помогает обезопасить оператора от отлетающих осколков поврежденного диска и случайного контакта с ним.
- Для работы с электроинструментом используйте только армированные отрезные диски.** Возможность установки принадлежности на инструмент сама по себе не гарантирует безопасной работы.
- Номинальная скорость принадлежности должна быть как минимум равна максимальной скорости, обозначенной на инструменте.** При превышении номинальной скорости принадлежности она может разломиться на части.
- Диски должны использоваться только по рекомендованному назначению.** Например: не шлифуйте край отрезного диска. Абразивные отрезные диски предназначены для периферийного шлифования, и боковые усилия, приложенные к таким дискам, могут вызвать их разрушение.
- Обязательно используйте неповрежденные фланцы соответствующего выбранному диску диаметра.** Подходящие фланцы поддерживают диск, снижая вероятность его повреждения.
- Внешний диаметр и толщина принадлежности должны соответствовать номинальной мощности инструмента.** Принадлежность, размер которых подобран неверно, не гарантируют безопасности и точности управления.
- Размер оправки дисков и фланцев должен в точности соответствовать параметрам шпинделя электроинструмента.** Несоответствие диаметра оправки дисков, фланцев и монтажного узла электроинструмента может привести к нарушению балансировки, сильной вибрации и потере контроля над инструментом.
- Не используйте поврежденные диски.** Перед каждым использованием осматривайте диски на предмет сколов и трещин. В случае падения электроинструмента или диска убедитесь в отсутствии повреждений или установите неповрежденный диск. После осмотра и установки диска отойдите сами и попросите отойти сторонних наблюдателей на безопасное расстояние от плоскости вращения диска, затем включите инструмент на максимальной мощности без нагрузки и дайте ему поработать в течение одной минуты. Поврежденные диски обычно разрушаются за время такой проверки.
- Надевайте индивидуальные средства защиты.** В зависимости от выполняемых операций используйте защитную маску или защитные очки. При необходимости используйте респиратор, средства защиты слуха, перчатки и передник, способный защитить от маленьких фрагментов абразива или заготовки. Средства защиты органов зрения должны предохранять от летящих фрагментов, появляющихся при выполнении различных операций. Пылезащитная маска или респиратор должны обеспечивать фильтрацию пыли, возникающей во время работы. Продолжительное воздействие сильного шума может стать причиной потери слуха.
- Посторонние лица должны находиться на безопасном расстоянии от рабочей зоны.** Любая приближающийся к рабочему месту человек должен предвзяточно надеть индивидуальные средства защиты. Фрагменты обрабатываемой детали или разрушенного диска могут разлететься и причинить травмы даже за пределами рабочей зоны.
- Регулярно прочищайте вентиляционные отверстия инструмента.** Вентилятор электродвигателя может засасывать пыль внутрь корпуса, а значительные отложения металлической пыли могут привести к поражению электрическим током.
- Не используйте инструмент вблизи горючих материалов.** Не применяйте электроинструмент, если он расположен на поверхности из легковоспламеняющихся материалов, например дерева. Эти материалы могут воспламениться от искр.
- Не используйте принадлежности, требующие жидкостного охлаждения.** Использование воды или других охлаждающих жидкостей может привести к поражению электротоком.

Отдача и соответствующие предупреждения

Отдача – это неожиданная реакция зажатого или застрявшего вращающегося диска. Застревание или застопоривание вызывает резкую остановку вращающегося диска, что, в свою очередь, приводит к неконтролируемому рыжку режущего инструмента в направлении оператора.

Например, если абразивный диск зажимается или прихватывается деталью, край диска, находящийся в точке заклинивания, может углубиться в поверхность детали, что приведет к выкачиванию или выскакиванию диска. Также в этих условиях абразивные диски могут сломаться.

Отдача – это результат неправильного использования электроинструмента и/или неправильных методов или условий работ, чего можно избежать, соблюдая нижеуказанные меры предосторожности.

1. **Крепко держите электроинструмент и располагайте свое тело и руки так, чтобы можно было сопротивляться силам отдачи.** Если принять необходимые меры предосторожности, оператор может контролировать силу отдачи.
2. **Не стойте в плоскости вращения диска.** В случае отдачи режущий инструмент будет направлен на оператора.
3. **Не устанавливайте на инструмент пильную цепь, принадлежность для резки по дереву, сегментированный алмазный диск с периферийным зазором более 10 мм или пильный диск.** Такие пилы часто дают отдачу и приводят к потере контроля.
4. **Не "заклинивайте" диск и не применяйте к нему чрезмерное давление. Не пытайтесь делать слишком глубокий разрез.** Перенапряжение диска увеличивает нагрузку и вероятность искривления или застревания диска в прорези, а также отдачи или поломки диска.
5. **Если диск застревает или процесс резания прерывается по другой причине, остановите режущий инструмент и держите его неподвижно до полной остановки диска. Не пытайтесь извлечь диск из разреза до полной остановки, в противном случае может возникнуть отдача.** Выясните и устраните причину застревания диска.
6. **Не перезапускайте отрезной диск, пока он находится в детали. Дождитесь, пока диск разовьет максимальную скорость, и осторожно погрузите его в разрез.** Диск может застрять, а отдача может отбросить его вверх или назад, если перезапустить электроинструмент непосредственно в детали.
7. **Устанавливайте опоры под большие детали, чтобы уменьшить риск застревания диска и отдачи.** Большие детали имеют тенденцию к прогибанию под собственным весом. При резании таких панелей необходимо поместить опоры под разрезаемой деталью рядом с линией разреза и рядом с краем детали с обеих сторон диска.

Дополнительные предупреждения о безопасности

1. **При работе следите за образующимися искрами.** Они могут привести к травме или воспламенению горючих материалов.
2. **Закрепляйте обрабатываемую деталь. Используйте зажимы или тиски для крепления детали.** Это безопаснее, чем держать ее руками, и освобождает обе руки для работы с инструментом.
3. **Будьте осторожны при креплении отрезного диска.**

4. **Будьте осторожны, чтобы не повредить шпindelь, фланцы (особенно установочную поверхность) или болт, иначе отрезной диск может сломаться.**
5. **Не снимайте щитки и следите, чтобы они были в рабочем состоянии.**
6. **Крепко держите ручку.**
7. **Руки должны находиться на расстоянии от вращающихся деталей.**
8. **Перед включением инструмента убедитесь в том, что отрезной диск не касается обрабатываемой детали.**
9. **Прежде чем приступить к работе, убедитесь в отсутствии пульсаций или чрезмерной вибрации, причиной которой может быть плохо установленный или плохо сбалансированный диск.**
10. **На рабочем месте уберите материалы или отходы, которые могут воспламениться от искр. Следите за тем, чтобы на траектории искр ничего не было. Держите под рукой надлежащий заряженный огнетушитель.**
11. **Если во время работы отрезной диск останавливается, издает странный шум или начинает вибрировать, немедленно выключите инструмент.**
12. **Обязательно отключите инструмент и дождитесь полной остановки отрезного диска перед его снятием, креплением обрабатываемой детали, работой с тисками, изменением рабочего положения, угла или заменой самого отрезного диска.**
13. **Не касайтесь обрабатываемой детали сразу же после работы; она очень горячая, вы можете получить ожог.**
14. **Храните диски только в сухом месте.**

СОХРАНИТЕ ДАННЫЕ ИНСТРУКЦИИ.

Важные правила техники безопасности для работы с аккумуляторным блоком

1. **Перед использованием аккумуляторного блока прочитайте все инструкции и предупреждающие надписи на (1) зарядном устройстве, (2) аккумуляторном блоке и (3) инструменте, работающем от аккумуляторного блока.**
2. **Не разбирайте аккумуляторный блок.**
3. **Если время работы аккумуляторного блока значительно сократилось, немедленно прекратите работу. В противном случае, может возникнуть перегрев блока, что приведет к ожогам и даже к взрыву.**
4. **В случае попадания электролита в глаза промойте их обильным количеством чистой воды и немедленно обратитесь к врачу. Это может привести к потере зрения.**
5. **Не замыкайте контакты аккумуляторного блока между собой:**
 - (1) **Не прикасайтесь к контактам какими-либо токопроводящими предметами.**
 - (2) **Не храните аккумуляторный блок в контейнере вместе с другими металлическими предметами, такими как гвозди, монеты и т. п.**
 - (3) **Не допускайте попадания на аккумуляторный блок воды или дождя.**

Замыкание контактов аккумуляторного блока между собой может привести к возникновению большого тока, перегреву, возможному ожогу и даже поломке блока.

6. Не храните инструмент и аккумуляторный блок в местах, где температура может достигать или превышать 50 °C (122 °F).
7. Не бросайте аккумуляторный блок в огонь, даже если он сильно поврежден или полностью вышел из строя. Аккумуляторный блок может взорваться под действием огня.
8. Не роняйте и не ударяйте аккумуляторный блок.
9. Не используйте поврежденный аккумуляторный блок.
10. Входящие в комплект литий-ионные аккумуляторы должны эксплуатироваться в соответствии с требованиями законодательства об опасных товарах. При коммерческой транспортировке, например, третьей стороной или экспедитором, необходимо нанести на упаковку специальные предупреждения и маркировку.
В процессе подготовки устройства к отправке обязательно проконсультируйтесь со специалистом по опасным материалам. Также соблюдайте местные требования и нормы. Они могут быть строже. Закройте или закрепите разомкнутые контакты и упакуйте аккумулятор так, чтобы он не перемещался по упаковке.
11. Выполняйте требования местного законодательства относительно утилизации аккумуляторного блока.
12. Используйте аккумуляторы только с продукцией, указанной Makita. Установка аккумуляторов на продукцию, не соответствующую требованиям, может привести к пожару, перегреву, взрыву или утечке электролита.

СОХРАНИТЕ ДАННЫЕ ИНСТРУКЦИИ.

ВНИМАНИЕ: Используйте только фирменные аккумуляторные батареи Makita. Использование аккумуляторных батарей, не произведенных Makita, или батарей, которые были подвергнуты модификациям, может привести к взрыву аккумулятора, пожару, травмам и повреждению имущества. Это также автоматически аннулирует гарантию Makita на инструмент и зарядное устройство Makita.

Советы по обеспечению максимального срока службы аккумулятора

1. Заряжайте блок аккумуляторов перед его полной разрядкой. Обязательно прекратите работу с инструментом и зарядите блок аккумуляторов, если вы заметили снижение мощности инструмента.
2. Никогда не подзаряжайте полностью заряженный блок аккумуляторов. Перезарядка сокращает срок службы аккумулятора.
3. Заряжайте блок аккумуляторов при комнатной температуре в 10 - 40 °C (50 - 104 °F). Перед зарядкой горячего блока аккумуляторов дайте ему остыть.
4. Зарядите ионно-литиевый аккумуляторный блок, если вы не будете пользоваться инструментом длительное время (более шести месяцев).

УСТАНОВКА

ОСТОРОЖНО: При выполнении резки детали инструментом могут образовываться искры. Не устанавливайте инструмент в помещении, в котором хранятся горючие и/или взрывоопасные материалы, способные загореться при попадании на них искр. Также прежде чем запустить инструмент убедитесь, что рядом с ним нет подобных материалов.

Фиксация основания

Данный инструмент необходимо прикрутить двумя болтами к ровной и устойчивой поверхности, используя отверстия для болтов в основании инструмента. Это поможет предотвратить опрокидывание и возможные травмы.

► **Рис.1:** 1. Отверстия под болты 2. Основание

ОПИСАНИЕ РАБОТЫ

ОСТОРОЖНО: Перед регулировкой или проверкой функций инструмента обязательно убедитесь, что он выключен и его аккумуляторный блок снят. Несоблюдение этого требования может стать причиной тяжелой травмы из-за случайного включения инструмента.

Блокировка/снятие блокировки головки инструмента

Головка инструмента может быть заблокирована. Всегда блокируйте головку инструмента, если не используете или транспортируете его.

Чтобы снять блокировку, слегка ослабьте головку инструмента и надавите на стопорный штифт. Для блокировки верните стопорный штифт в исходное положение, надавив на головку инструмента.

► **Рис.2:** 1. Стопорный штифт

Установка или снятие блока аккумуляторов

ВНИМАНИЕ: Обязательно выключайте инструмент перед установкой и извлечением аккумуляторного блока.

ВНИМАНИЕ: При установке и извлечении аккумуляторного блока крепко удерживайте инструмент и аккумуляторный блок. Если не соблюдать это требование, они могут выскользнуть из рук, что приведет к повреждению инструмента, аккумуляторного блока и травмированию оператора.

► **Рис.3:** 1. Красный индикатор 2. Кнопка 3. Блок аккумулятора

Для снятия аккумуляторного блока нажмите кнопку на лицевой стороне и извлеките блок.

Для установки аккумуляторного блока совместите выступ аккумуляторного блока с пазом в корпусе и задвиньте его на место. Устанавливайте блок до упора так, чтобы он зафиксировался на месте с небольшим щелчком. Если вы можете видеть красный индикатор на верхней части клавиши, адаптер аккумулятора не полностью установлен на месте.

ВНИМАНИЕ: Обязательно устанавливайте аккумуляторный блок до конца, чтобы красный индикатор не был виден. В противном случае аккумуляторный блок может выпасть из инструмента и нанести травму вам или другим людям.

ВНИМАНИЕ: Не прилагайте чрезмерных усилий при установке аккумуляторного блока. Если блок не двигается свободно, значит он вставлен неправильно.

ПРИМЕЧАНИЕ: Инструмент не будет работать с одним аккумуляторным блоком.

Система защиты инструмента/аккумулятора


На инструменте предусмотрена система защиты инструмента/аккумулятора. Она автоматически отключает питание двигателя для продления срока службы инструмента и аккумулятора. Инструмент автоматически остановится во время работы при возникновении указанных ниже ситуаций. В некоторых ситуациях загораются индикаторы.

Защита от перегрузки

Если из-за способа эксплуатации инструмент потребляет очень большое количество тока, произойдет автоматический останов. В этом случае выключите инструмент и прекратите работу, повлекшую перегрузку инструмента. Затем включите инструмент для перезапуска.


Защита от перегрева

При перегреве инструмент автоматически останавливается, а индикатор аккумулятора мигает около 60 секунд. В таком случае дайте инструменту остыть перед повторным включением.

<input checked="" type="checkbox"/> Вкл.	<input checked="" type="checkbox"/> Мигает
	

Защита от переразрядки



После разрядки аккумулятора инструмент автоматически останавливается, а индикатор заряда блока аккумулятора начинает мигать. Если устройство не работает даже после нажатия переключателей, снимите разряженный блок аккумулятора с инструмента и зарядите его.

<input checked="" type="checkbox"/> Мигает	<input type="checkbox"/> Выкл.
	

Индикация оставшегося заряда аккумулятора

► **Рис.4:** 1. Индикатор аккумулятора 2. Кнопка проверки

Нажмите кнопку проверки для проверки заряда аккумулятора. Индикаторы соответствуют каждому аккумулятору.
















Состояние индикатора аккумуляторной батареи			Уровень заряда аккумулятора
 Вкл.	 Выкл.	 Мигает	
			от 50% до 100%
			от 20% до 50%
			от 0% до 20%
			Зарядите аккумулятор

Индикация оставшегося заряда аккумулятора

Только для блоков аккумулятора с индикатором

► **Рис.5:** 1. Индикаторы 2. Кнопка проверки

Нажмите кнопку проверки на аккумуляторном блоке для проверки заряда. Индикаторы загорятся на несколько секунд.

Индикаторы			Уровень заряда
 Горит	 Выкл.	 Мигает	
			от 75 до 100%
			от 50 до 75%
			от 25 до 50%
			от 0 до 25%
			Зарядите аккумуляторную батарею.
			Возможно, аккумуляторная батарея неисправна.

ПРИМЕЧАНИЕ: В зависимости от условий эксплуатации и температуры окружающего воздуха индикация может незначительно отличаться от фактического значения.

Действие выключателя

⚠ ОСТОРОЖНО: Перед установкой аккумуляторного блока в инструмент обязательно убедитесь, что его триггерный переключатель нормально работает и возвращается в положение "OFF" (ВЫКЛ) при отпускании.

► **Рис.6:** 1. Кнопка разблокировки 2. Триггерный переключатель

Для предотвращения непреднамеренного включения триггерного переключателя имеется кнопка разблокировки. Для запуска инструмента, нажмите на кнопку разблокировки и затем нажмите на триггерный переключатель. Отпустите триггерный переключатель для остановки.

⚠ ОСТОРОЖНО: ЗАПРЕЩАЕТСЯ нарушать работу кнопки разблокировки, заклеивая ее скотчем или другими способами. Выключатель с неработающей кнопкой разблокировки может стать причиной случайного включения и причинения тяжелой травмы.

⚠ ОСТОРОЖНО: ЗАПРЕЩАЕТСЯ использовать инструмент, когда он работает при простом нажатии на триггерный переключатель без нажатия на кнопку разблокировки. Требующий ремонта инструмент может случайно включиться и причинить тяжелую травму. Верните инструмент в сервисный центр Makita для надлежащего ремонта ДО продолжения его эксплуатации.

ПРИМЕЧАНИЕ: Не нажимайте сильно на триггерный переключатель без нажатия на кнопку разблокировки. Это может привести к поломке переключателя.

Индикатор нагрузки

Индикатор нагрузки показывает уровень нагрузки, оказываемой на двигатель при резке. По мере роста нагрузки загораются новые световые индикаторы.

► **Рис.7:** 1. Индикатор нагрузки

Предупреждение о перегрузке

Если двигатель работает под избыточной нагрузкой, начинают мигать все индикаторы нагрузки. В таком случае нужно снизить нагрузку на двигатель. Если продолжать перегрузку двигателя при мигании индикаторов нагрузки, через несколько секунд сработает защитный механизм автоматического останова.

ПРИМЕЧАНИЕ: Если избыточная нагрузка возникает внезапно, инструмент автоматически остановится, и при этом индикатор нагрузки не будет мигать.

Зазор между тисками и направляющей пластиной

⚠ ВНИМАНИЕ: После регулировки зазора между тисками и направляющей пластиной убедитесь, что направляющая пластина надежно закреплена. Несоблюдение данной рекомендации может стать причиной травмы.

Допустимы следующие зазоры для тисков:

- 0 - 170 мм (исходная настройка)
- 35 - 205 мм
- 70 - 240 мм

Если для работы требуется изменение настройки, выполните следующее, чтобы изменить зазор:

Ослабьте винт на направляющей пластине. Переместите направляющую пластину в необходимое положение и затяните винт.

► **Рис.8:** 1. Винт 2. Направляющая пластина

Регулировка угла резки

⚠ ВНИМАНИЕ: По завершении регулировки угла наклона направляющей пластины убедитесь, что она надежно закреплена. Несоблюдение данной рекомендации может стать причиной травмы.

⚠ ВНИМАНИЕ: Не используйте инструмент, если обрабатываемый материал закреплен в тисках ненадежно из-за угла резки.

Поверните рычаг против часовой стрелки. Задайте желаемый угол наклона направляющей пластины и до упора затяните рычаг.

► **Рис.9:** 1. Направляющая пластина 2. Рычаг

ПРИМЕЧАНИЕ: Шкала на направляющей пластине дает только ориентировочное значение. Для более точной установки угла используйте транспортир или угольник. Удерживайте рукоятку в нижнем положении, чтобы отрезной диск входил в основание. Одновременно с этим с помощью транспортира или угольника отрегулируйте угол между направляющей пластиной и отрезным диском.

Регулировка искрозащитного кожуха

В зависимости от страны

Искрозащитный кожух устанавливается на заводе-изготовителе, при этом нижний край касается основания. Эксплуатация инструмента в таком положении приведет к тому, что вокруг будет разлетаться много искр. Открутите винт и отрегулируйте искрозащитный кожух так, чтобы обеспечить минимум разлетающихся вокруг искр.

► **Рис.10:** 1. Винт 2. Искрозащитный кожух

Электронная функция

Инструменты, в которых доступны электронные функции, просты в эксплуатации благодаря следующим характеристикам.

Функция плавного запуска

Плавный запуск благодаря подавлению начального удара.

СБОРКА

▲ОСТОРОЖНО: Перед выполнением каких-либо работ на инструменте обязательно убедитесь, что он выключен, а аккумуляторный блок извлечен. Несоблюдение этого требования может стать причиной тяжелой травмы.

Открывающийся защитный кожух с центральной заглушкой

В зависимости от страны

Если инструмент оснащен защитным кожухом с центральной заглушкой, ослабьте зажимные винты, затем поднимите кожух.

► Рис.11: 1. Зажимной винт

Открывающиеся защитные кожухи для стран Европы

В зависимости от страны

Если инструмент оснащен открывающимся защитным кожухом (для стран Европы), ослабьте зажимной винт, затем откройте кожух, как указано.

► Рис.12: 1. Зажимной винт

► Рис.13

► Рис.14

Снятие или установка отрезного диска

▲ВНИМАНИЕ: Убедитесь, что зажим, закрепляемый без использования инструментов, надежно затянут. Несоблюдение данной рекомендации может привести к тяжелой травме.

▲ВНИМАНИЕ: Всегда используйте только соответствующие внутренний и внешний фланцы, входящие в комплект поставки инструмента.

▲ВНИМАНИЕ: После замены отрезного диска всегда опускайте защитный кожух.

▲ВНИМАНИЕ: При работе с диском надевайте защитные перчатки.

Поднимите защитный кожух. Поверните зажим против часовой стрелки, надавив на фиксатор вала. Затем снимите зажим, внешний фланец и отрезной диск. При снятии отрезного диска не снимайте внутренний фланец, а также уплотнительные кольца.

► Рис.15: 1. Фиксатор вала 2. Зажим, не требующий использования инструментов

► Рис.16: 1. Внутренний фланец 2. Кольцо 3. Уплотнительное кольцо 4. Отрезной диск 5. Наружный фланец 6. Зажим, не требующий использования инструментов

Для установки отрезного диска повторите процедуру снятия в обратном порядке. Совместите отверстие отрезного диска с кольцом и установите обратно защитный кожух.

ЭКСПЛУАТАЦИЯ

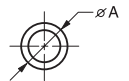
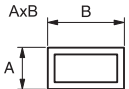
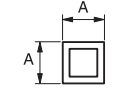

▲ВНИМАНИЕ: Соответствующее давление нажатия на рукоятку при резке и максимальную эффективность резки можно определить по количеству искр, вылетающих при резке. Не прилагайте чрезмерных усилий при резке, оказывая излишнее давление на рукоятку. Это может привести к снижению эффективности резки, преждевременному износу диска, а также возможному повреждению инструмента, отрезного диска или обрабатываемой детали.

Крепко держите ручку. Включите инструмент и подождите, пока отрезной диск наберет полную скорость, затем медленно опустите его в разрез. Когда отрезной диск касается обрабатываемой детали, постепенно нажимайте на рукоятку для выполнения резки. По завершении резки отключите инструмент и подождите, пока отрезной диск не остановится полностью, прежде чем вернуть рукоятку в полностью поднятое положение.

Режущая способность

Максимальная режущая способность изменяется в зависимости от угла резки и формы обрабатываемой детали.

Максимальная режущая способность с новым отрезным диском

Угол резки / форма обрабатываемой детали	90°	45°
	∅ 127 мм	∅ 127 мм
	115 x 130 мм 102 x 194 мм 70 x 233 мм	115 x 103 мм
	119 x 119 мм	106 x 106 мм
	137 x 137 мм	100 x 100 мм

ПРИМЕЧАНИЕ: Данный инструмент рекомендуется использовать для резки деталей толщиной менее 1,6 мм.

Крепление обрабатываемой детали

ВНИМАНИЕ: Всегда устанавливайте упор на резьбу вала, когда закрепляете обрабатываемую деталь. Несоблюдение данного требования может привести к ненадежному креплению обрабатываемой детали. Это может привести к отбрасыванию обрабатываемой детали или опасной поломке отрезного диска.

При поднятом упоре можно быстро перемещать пластину тисков. Чтобы закрепить деталь, нажимайте на ручку, пока пластина тисков не коснется обрабатываемой детали, затем верните упор на место. Поворачивайте ручку по часовой стрелке, пока деталь не будет надежно зафиксирована.

► **Рис.17:** 1. Ручка 2. Упор 3. Пластина тисков

При значительном износе отрезного диска поместите под обрабатываемую деталь распорный блок, как показано на рисунке. Вы можете более эффективно применять изношенный диск, используя средний наконечник на периферии диска для резки обрабатываемой детали. Для распорного блока используйте прочный и негорючий материал.

► **Рис.18:** 1. Распорный блок

При резке обрабатываемых деталей шириной свыше 85 мм под углом, закрепите прямой кусок дерева (распорку) размером более 190 мм в длину на 40 мм в ширину к направляющей пластине, как показано на рисунке. Закрепите проставку винтами через отверстия в направляющей пластине. Убедитесь, что отрезной диск не соприкасается с проставкой при зажатой головке инструмента.

► **Рис.19:** 1. Направляющая пластина
2. Распорный блок (более 190 мм в длину на 40 мм в ширину)
3. Обрабатываемая деталь (более 85 мм в ширину) 4. Пластина тисков

ПРИМЕЧАНИЕ: При использовании распорного блока установите направляющую пластину в положение, максимально близкое к горловине головки инструмента.

► **Рис.20**

Если отрезной диск изношен, поднимите положение резки, разместив распорный блок, как указано на рисунке. Блок должен быть чуть уже обрабатываемой детали. Это позволит максимально эффективно использовать ресурс отрезного диска.

► **Рис.21:** 1. Пластина тисков 2. Диаметр обрабатываемой детали 3. Направляющая пластина 4. Ширина распорного блока

Длинные обрабатываемые детали необходимо поддерживать блоками с одной из сторон, чтобы они были горизонтальными по отношению к верхней части основания. Опорные блоки должны быть изготовлены из негорючих материалов.

► **Рис.22:** 1. Опорный блок

Переноска инструмента

Перед переноской инструмента извлеките из него аккумулятор, а также сложите и заблокируйте его головку. Держите инструмент за ручку, когда переносите его.

► **Рис.23**

ОБСЛУЖИВАНИЕ

ВНИМАНИЕ: Перед проведением проверки или работ по техобслуживанию всегда проверяйте, что инструмент выключен, а блок аккумуляторов снят.

ПРИМЕЧАНИЕ: Запрещается использовать бензин, растворители, спирт и другие подобные жидкости. Это может привести к обесцвечиванию, деформации и трещинам.

Для обеспечения БЕЗОПАСНОСТИ и НАДЕЖНОСТИ оборудования ремонт, любое другое техобслуживание или регулировку необходимо производить в уполномоченных сервис-центрах Makita или сервис-центрах предприятия с использованием только сменных частей производства Makita.

ДОПОЛНИТЕЛЬНЫЕ ПРИНАДЛЕЖНОСТИ

ВНИМАНИЕ: Данные принадлежности или приспособления рекомендуются для использования с инструментом Makita, указанным в настоящем руководстве. Использование других принадлежностей или приспособлений может привести к получению травмы. Используйте принадлежность или приспособление только по указанному назначению.

Если вам необходимо содействие в получении дополнительной информации по этим принадлежностям, свяжитесь с вашим сервис-центром Makita.

- Абразивные отрезные диски
- Оригинальный аккумулятор и зарядное устройство Makita

ПРИМЕЧАНИЕ: Некоторые элементы списка могут входить в комплект инструмента в качестве стандартных приспособлений. Они могут отличаться в зависимости от страны.

Makita Europe N.V. Jan-Baptist Vinkstraat 2,
3070 Kortenberg, Belgium

Makita Corporation 3-11-8, Sumiyoshi-cho,
Anjo, Aichi 446-8502 Japan

www.makita.com

885648-982
EN, SV, NO, FI, LV,
LT, ET, RU
20180530