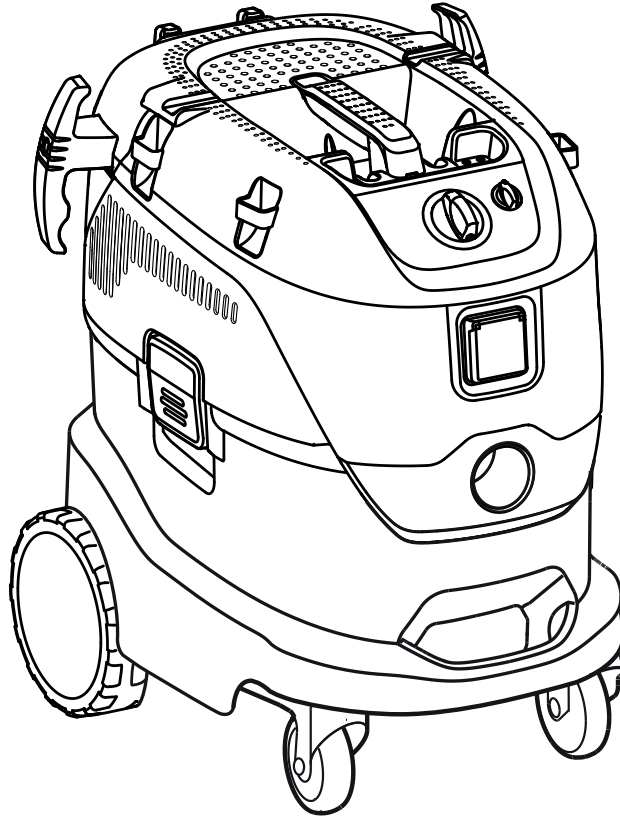




Makita[®]

VC4210L



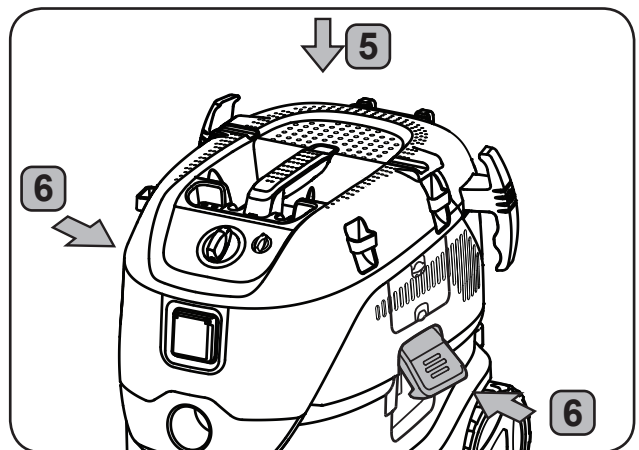
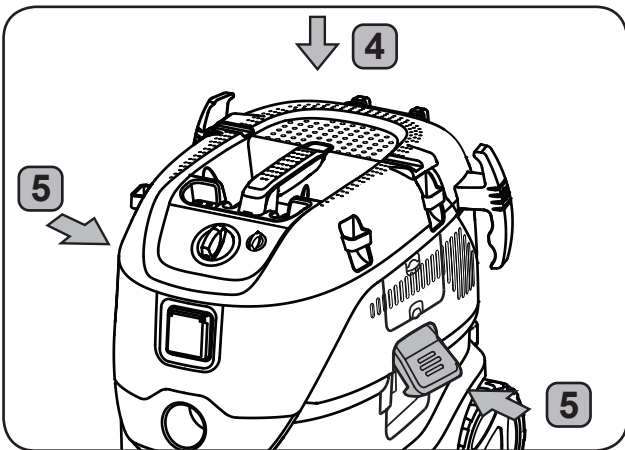
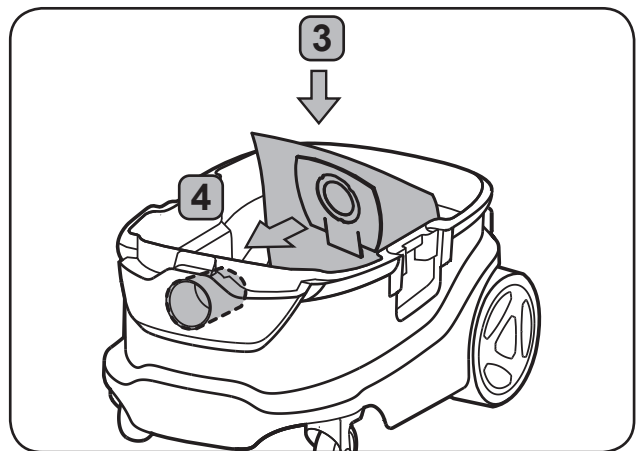
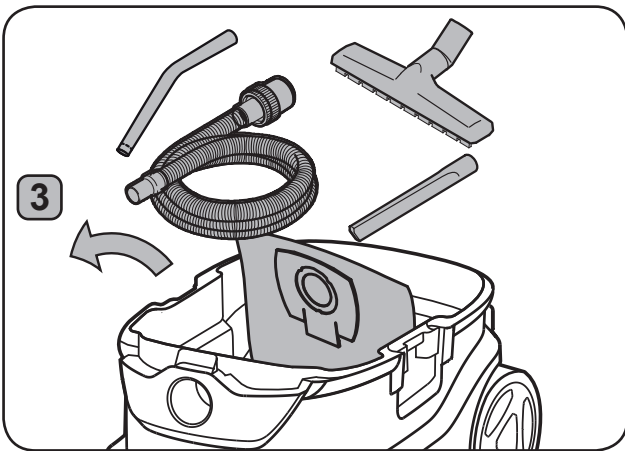
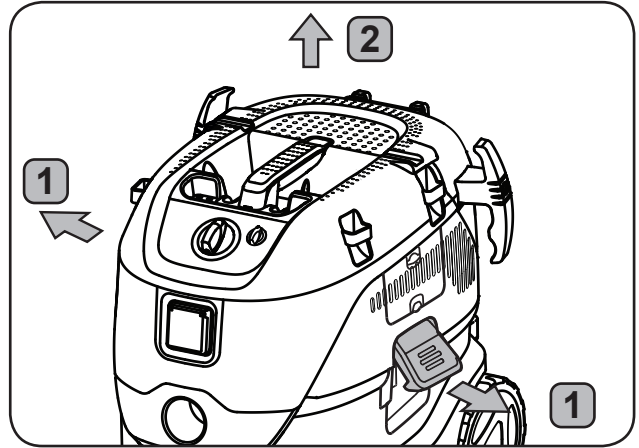
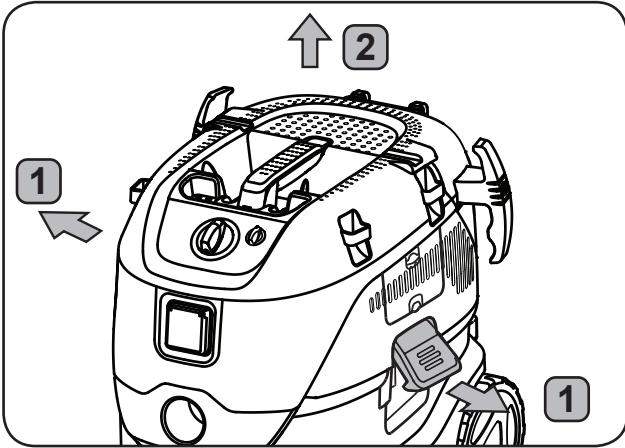
Originalbetriebsanleitung
Original Operating Instructions
Notice d'utilisation d'origine
Oorspronkelijke Gebruiksaanwijzing
Istruzioni originali
Original driftsinstruks
Bruksanvisning i original
Original brugsanvisning
Alkuperäiset ohjeet
Manual original
Instruções de operação original
Πρωτότυπο οδηγιών χρήσης
Orijinal talimatlar
Izvirna navodila
Izvorni upute

Pôvodný návod na použitie
Původní návod k používání
Instrukcja oryginalna
Eredeti használati utasítás
Original instructiuni
Оригинална инструкция
Оригинальные инструкции
Algupärane kasutusjuhend
Instrukcijas oriģinālvalodā
Originali instrukcija
Udhëzimet origjinale
Оригинално упатство за употреба
Првобитна упутства
Оригінальні інструкції

A1)



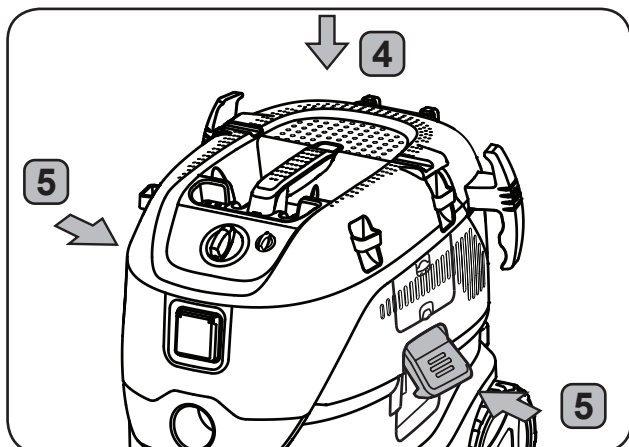
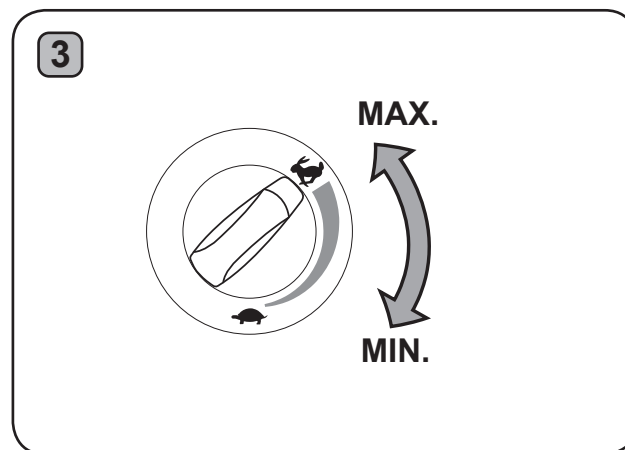
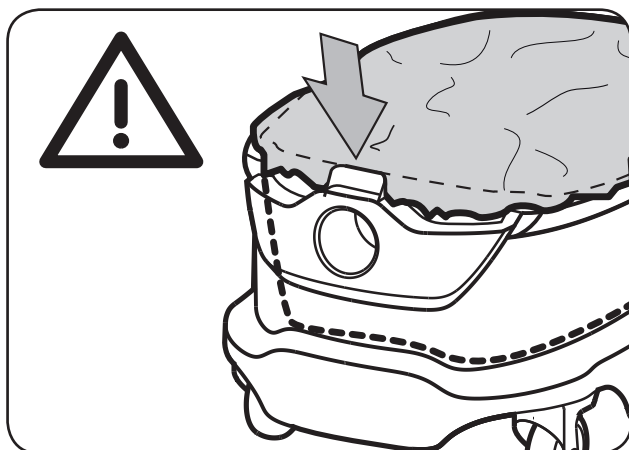
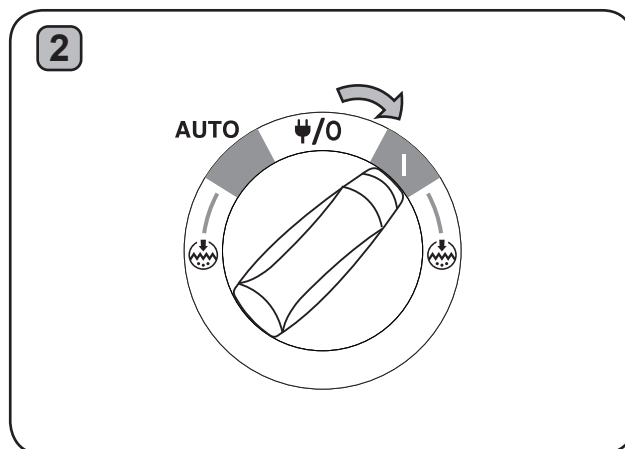
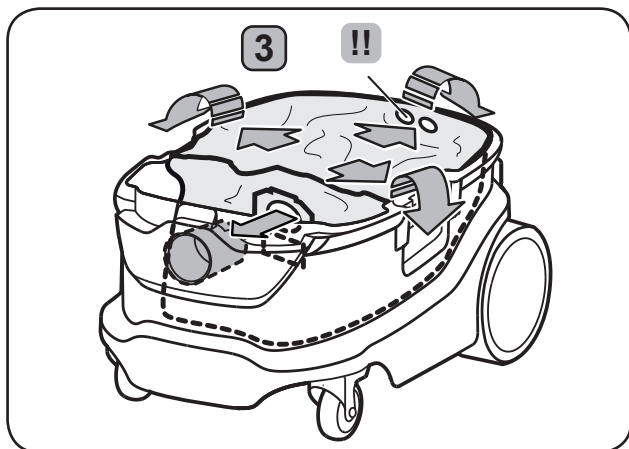
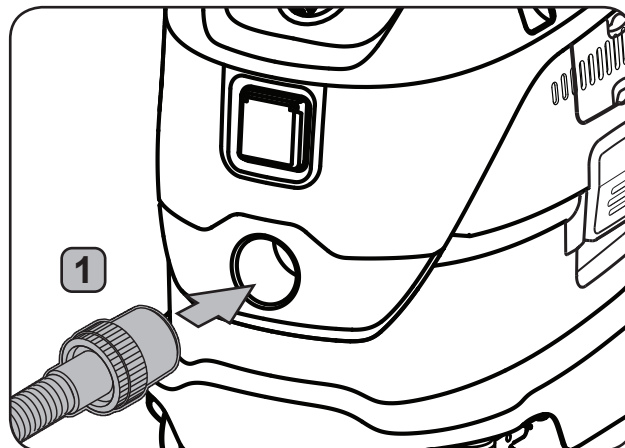
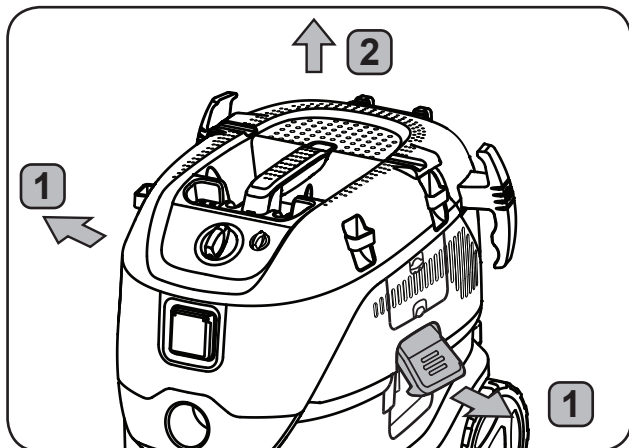
A2)



A3)



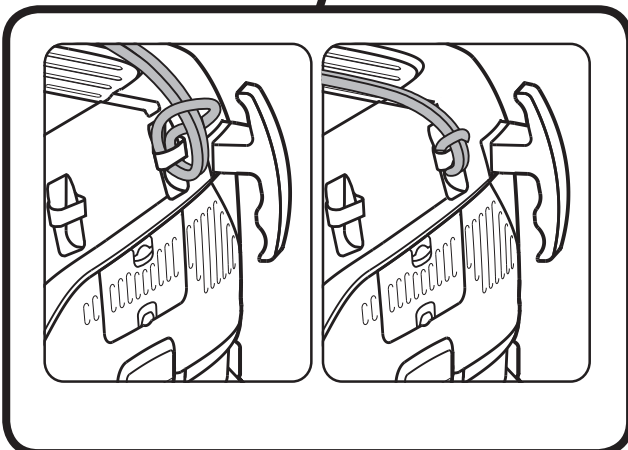
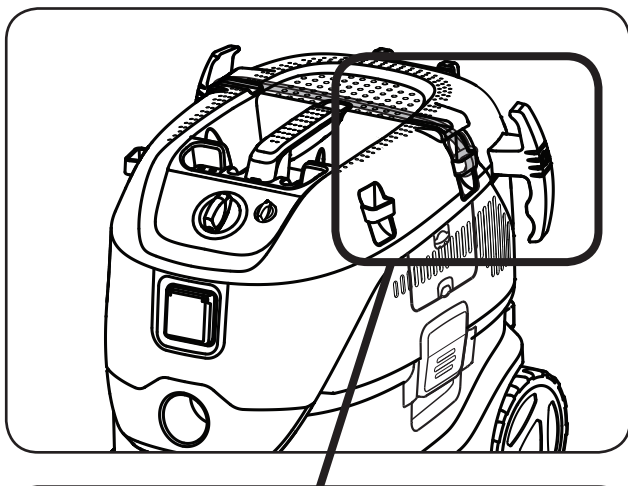
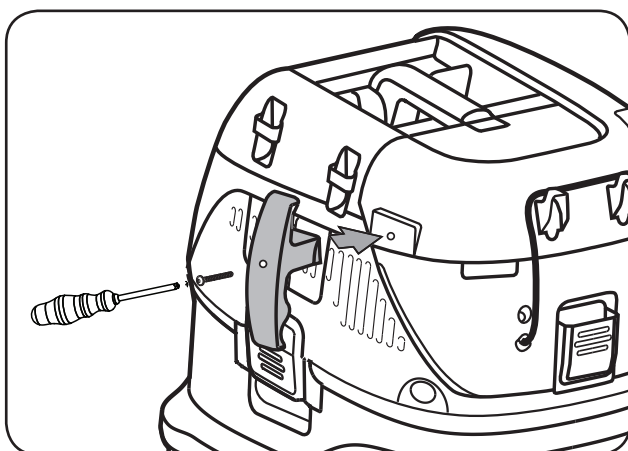
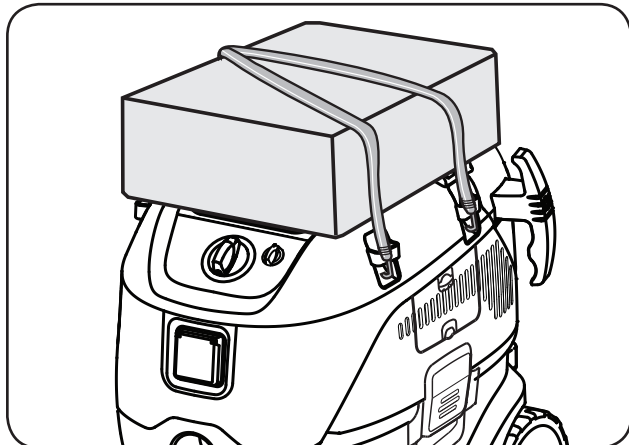
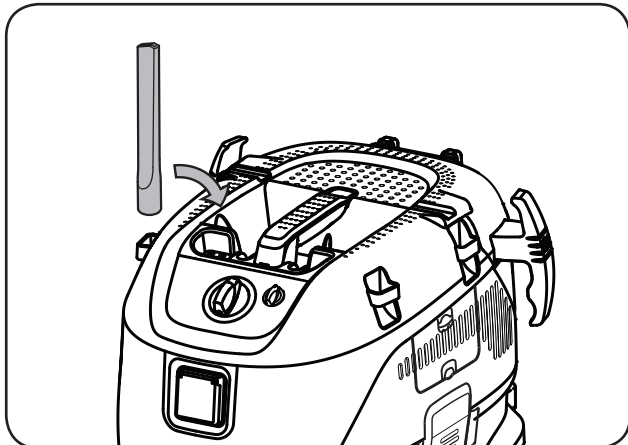
A4



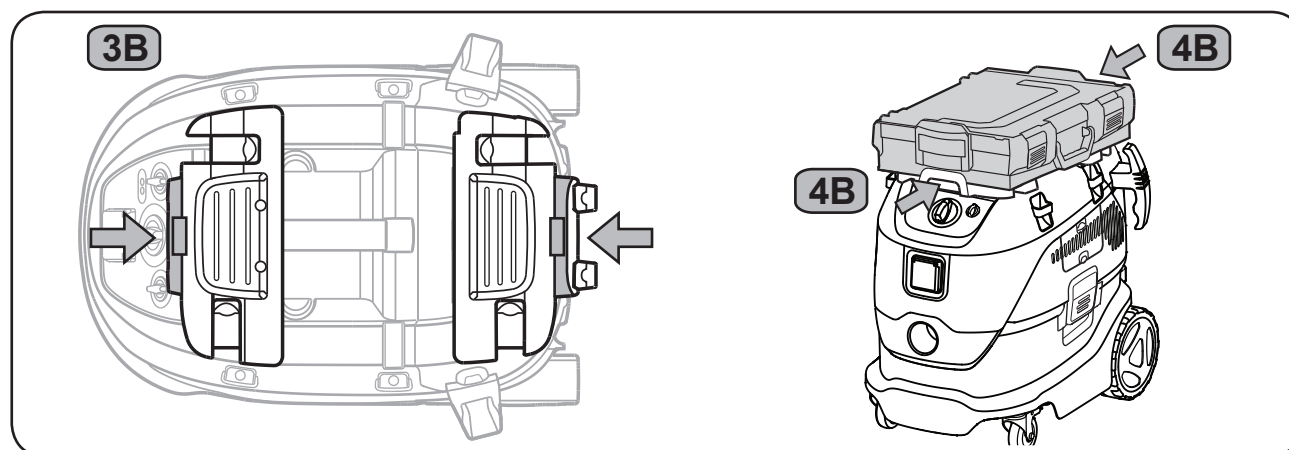
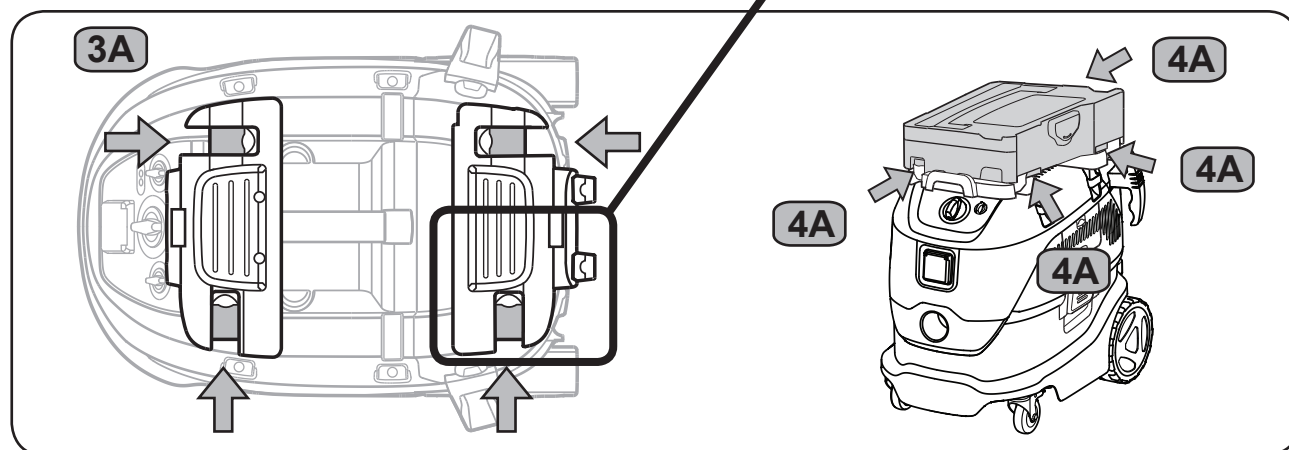
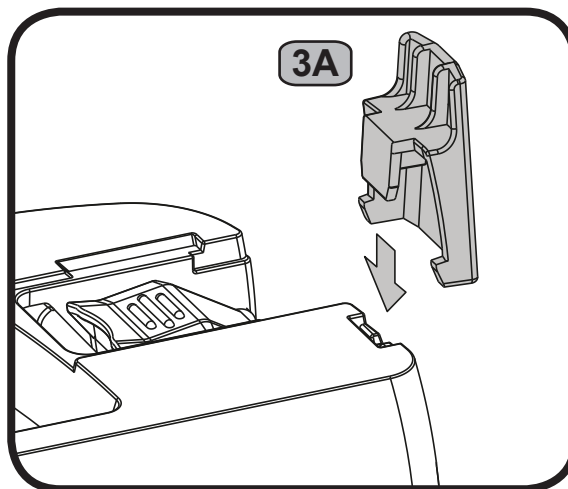
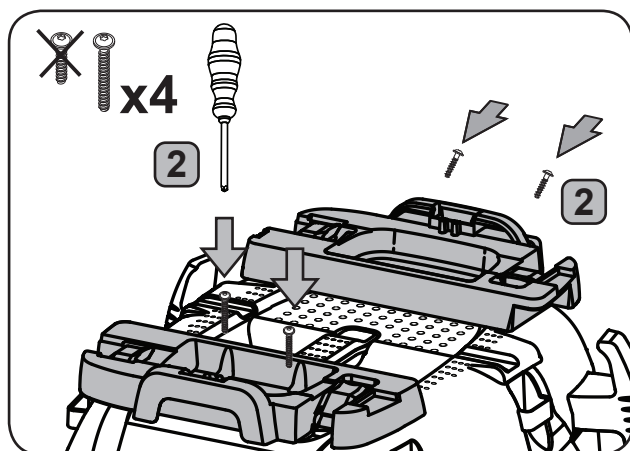
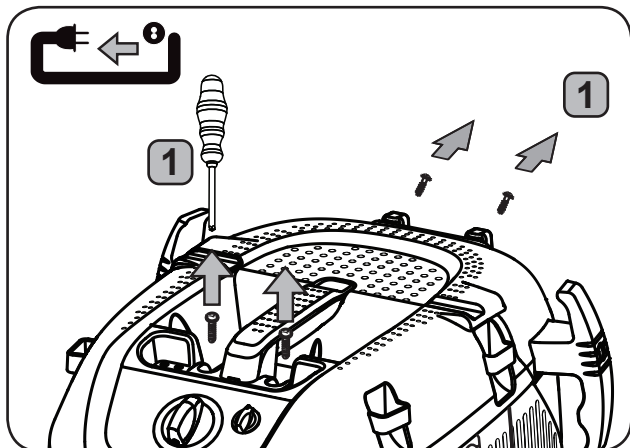
A5^{*)}



A6^{*)}



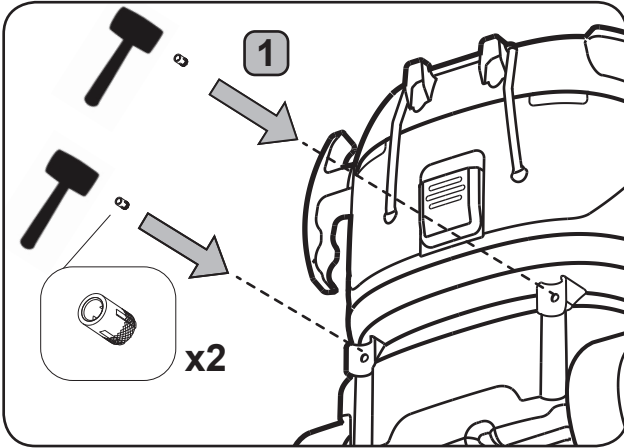
A6¹⁾



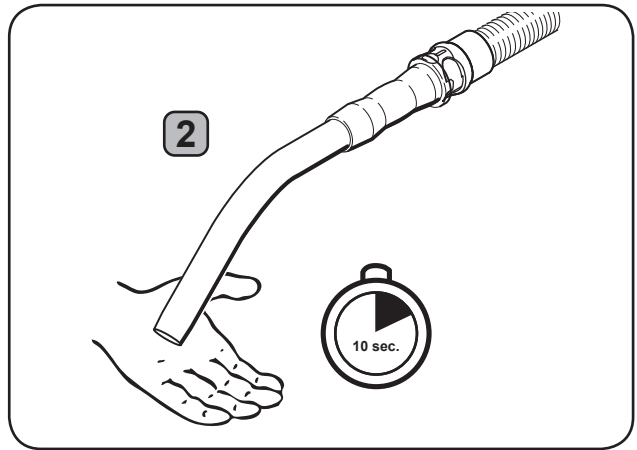
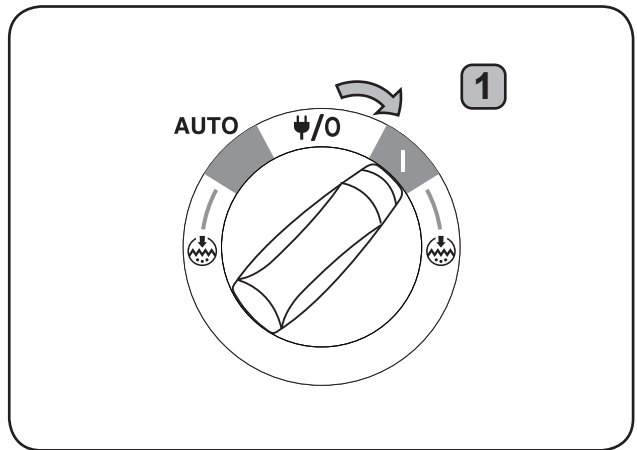
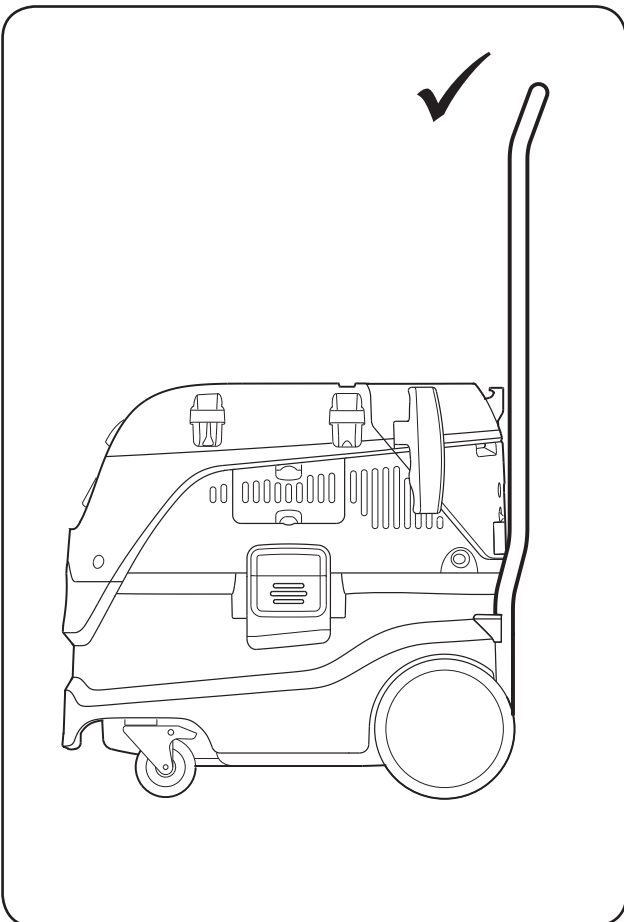
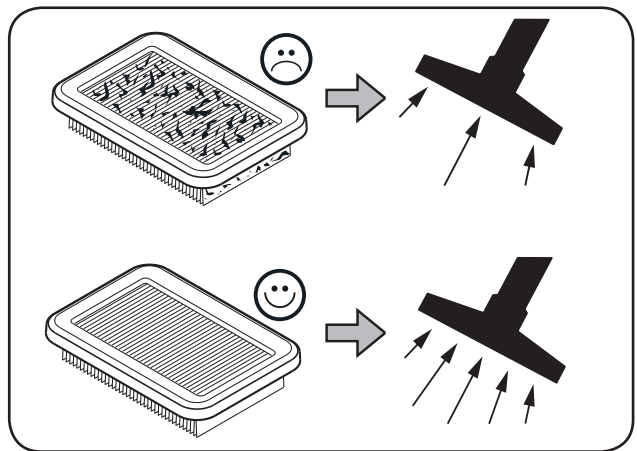
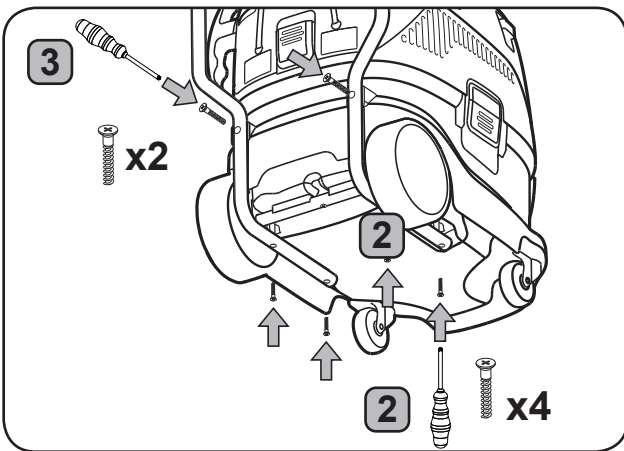
A7)



B1)



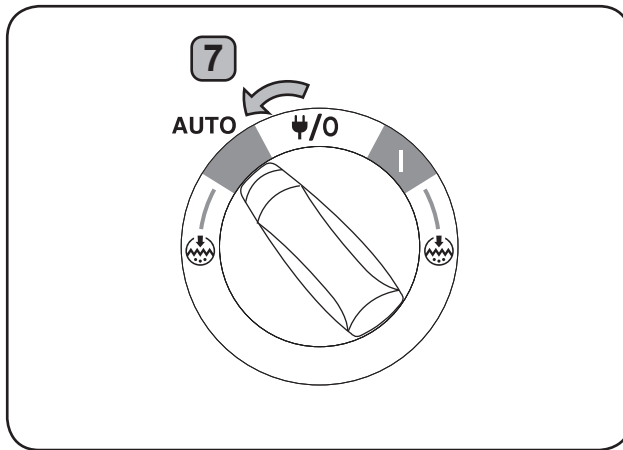
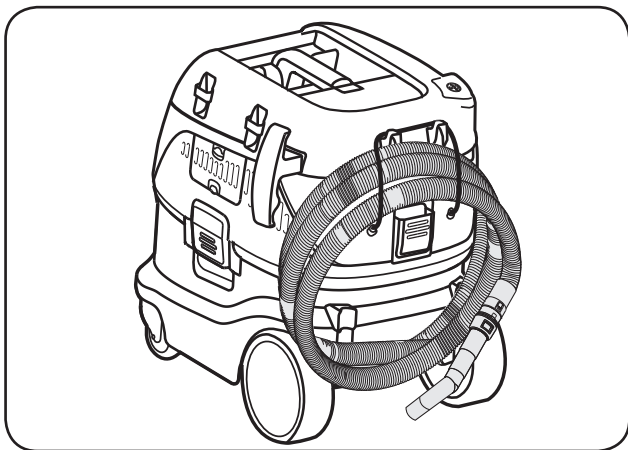
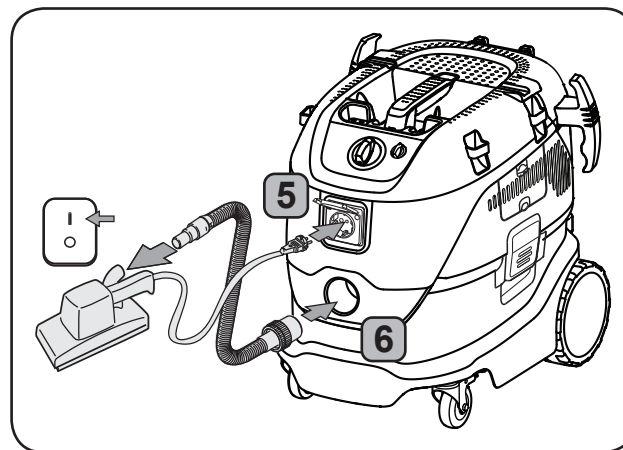
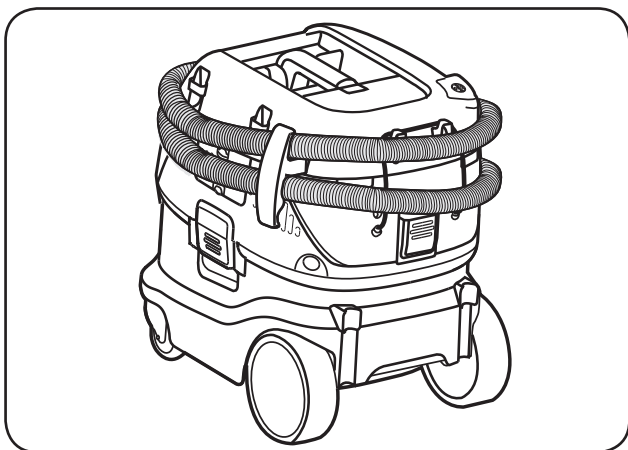
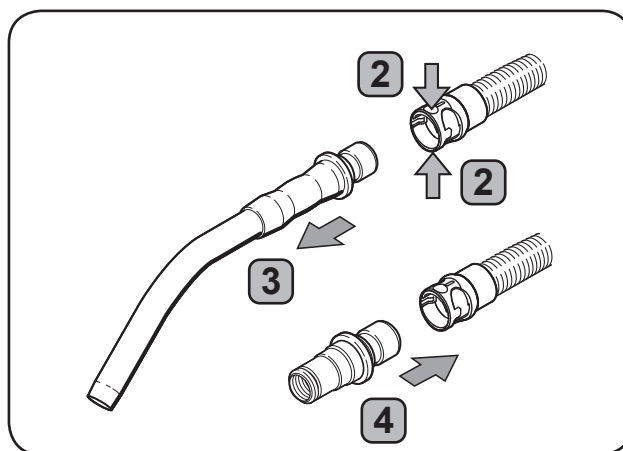
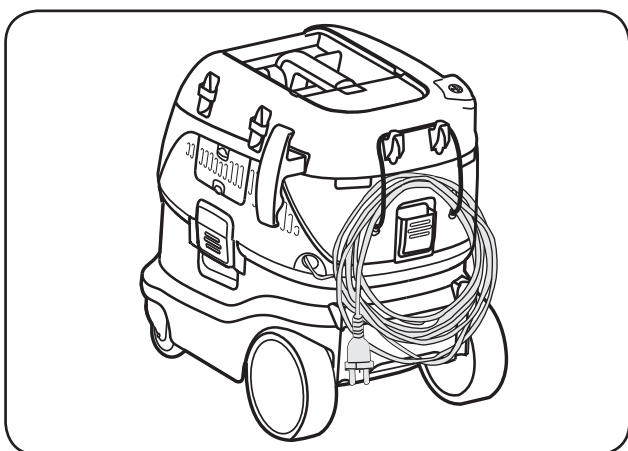
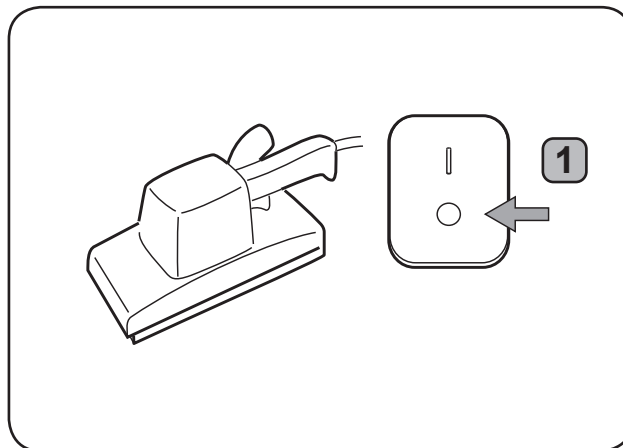
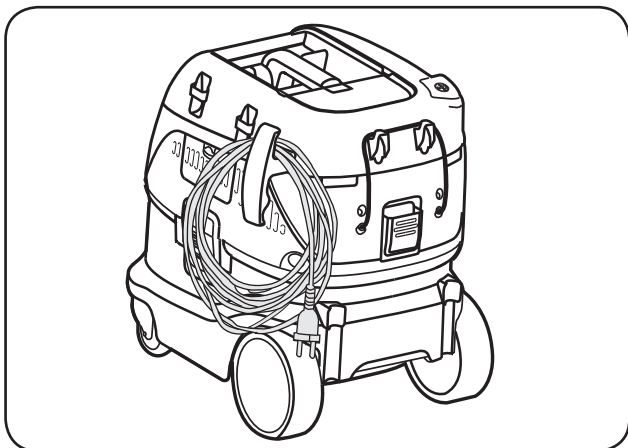
AutoClean



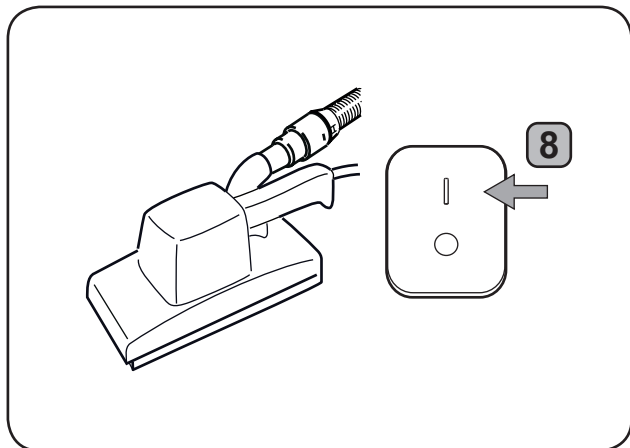
B2



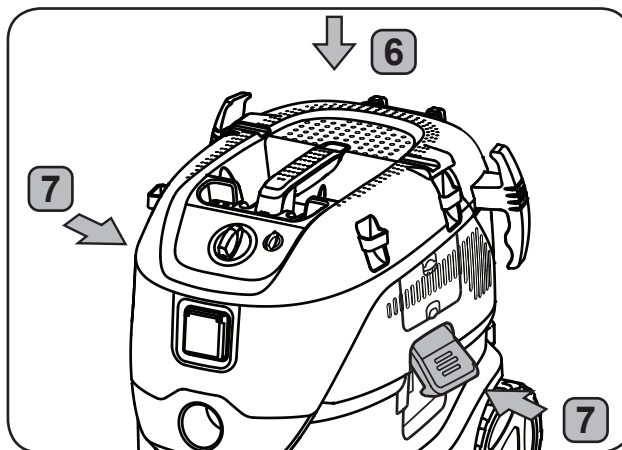
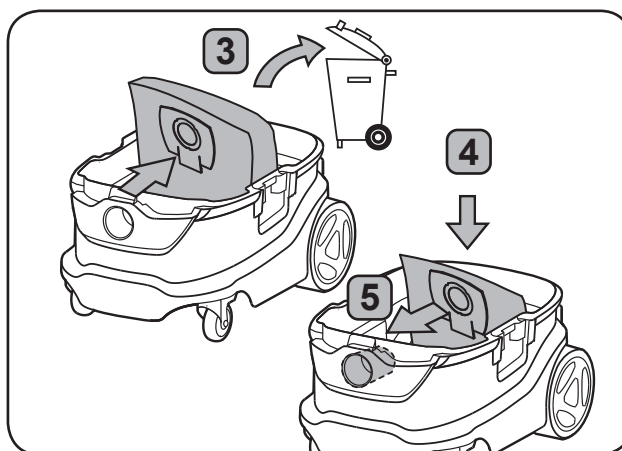
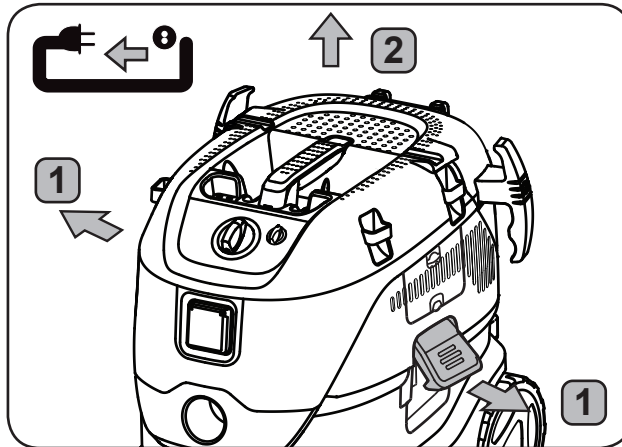
C1



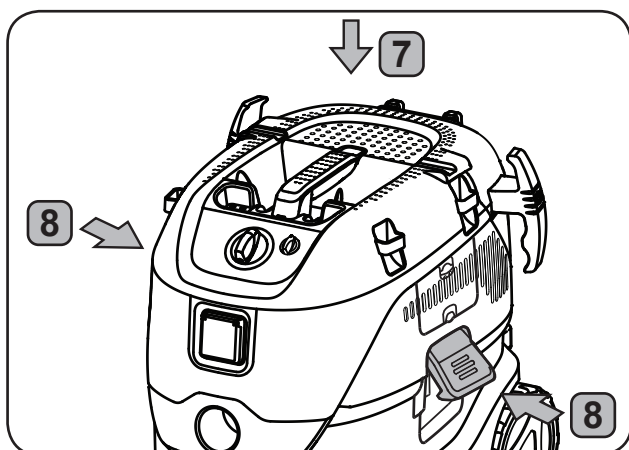
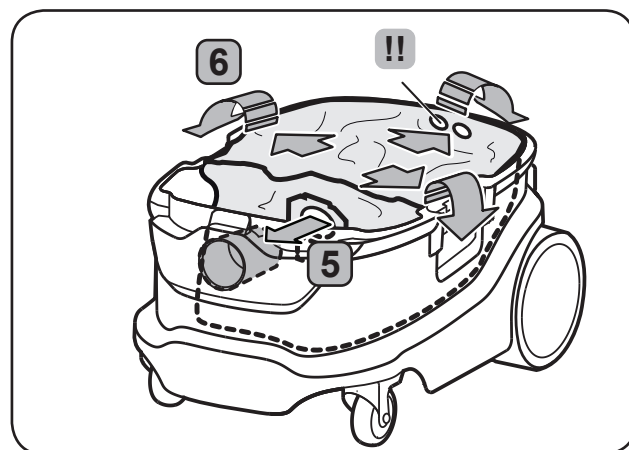
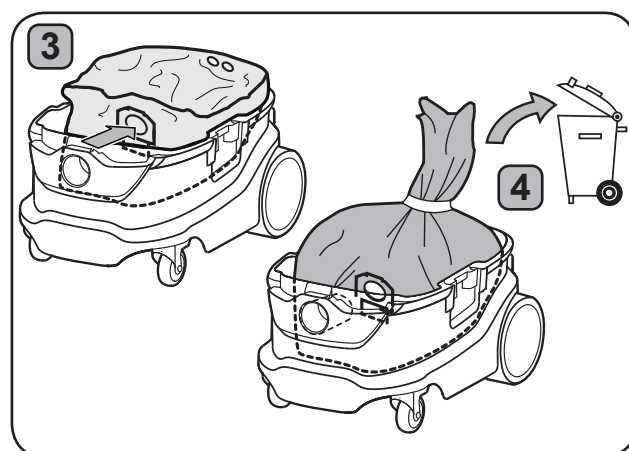
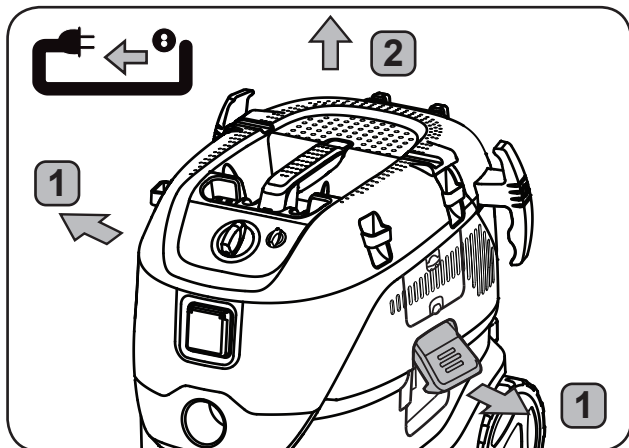
C1



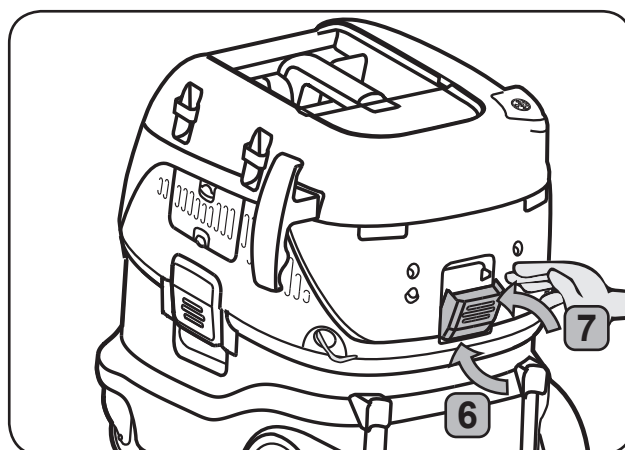
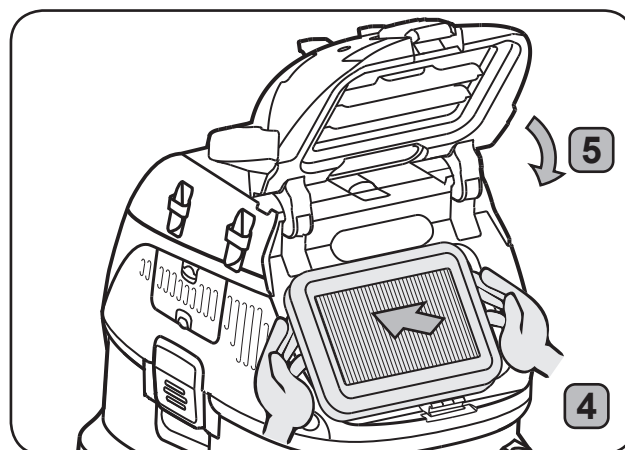
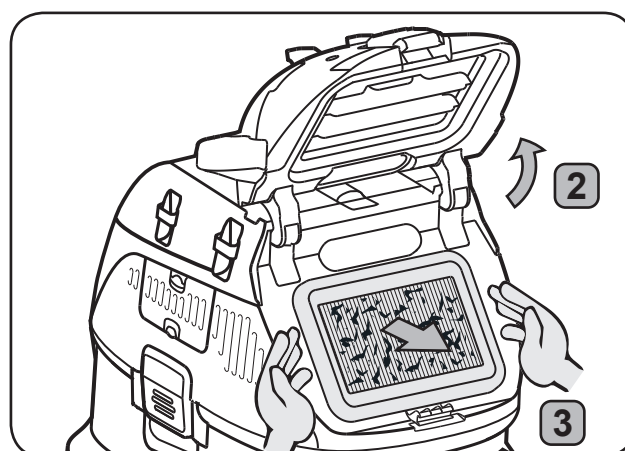
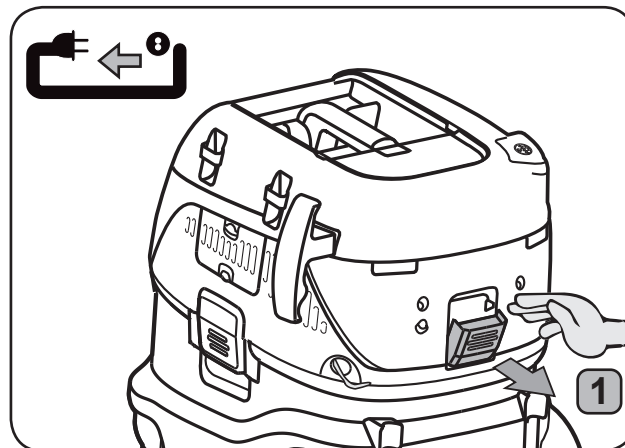
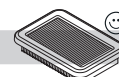
D1



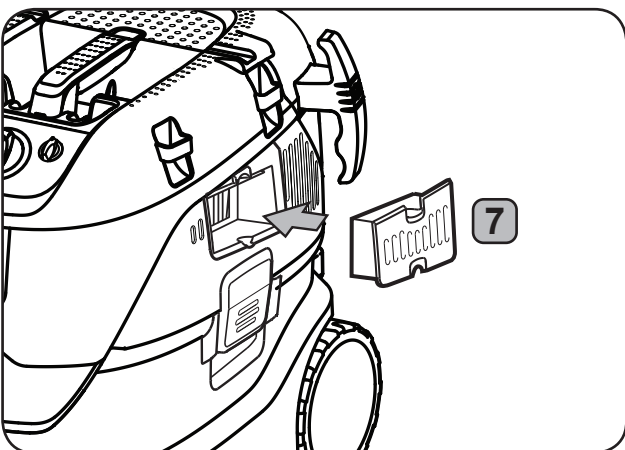
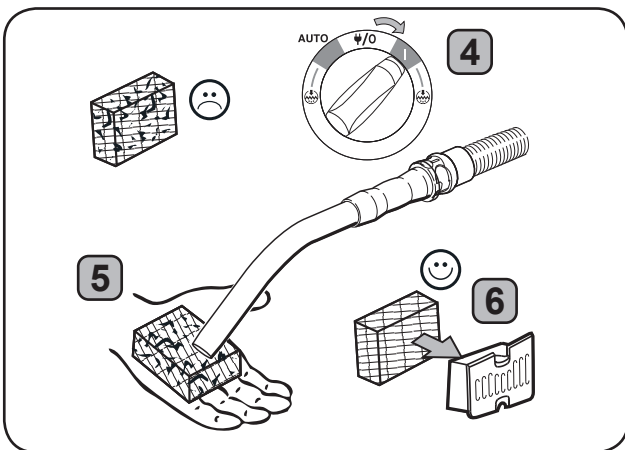
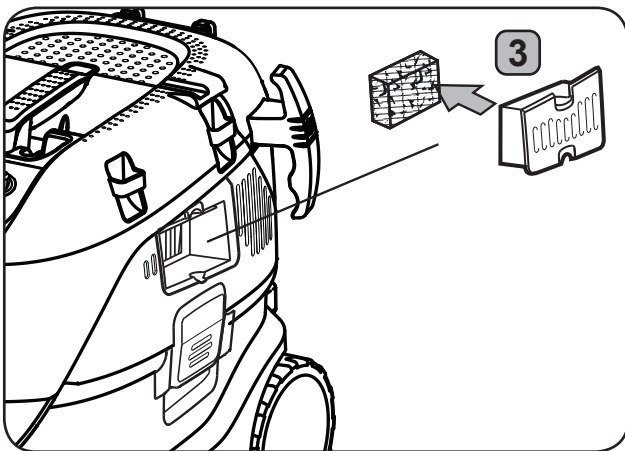
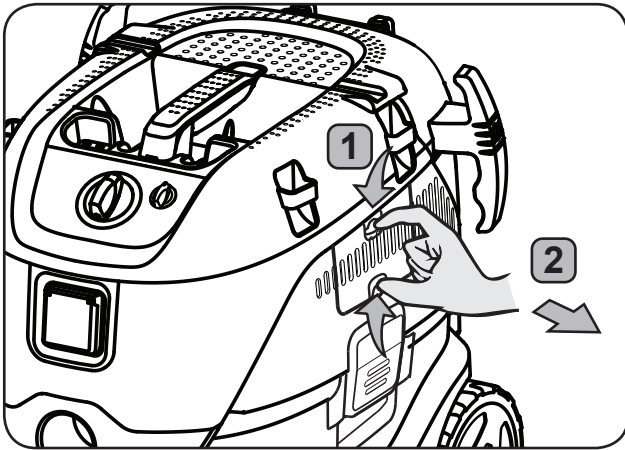
D2



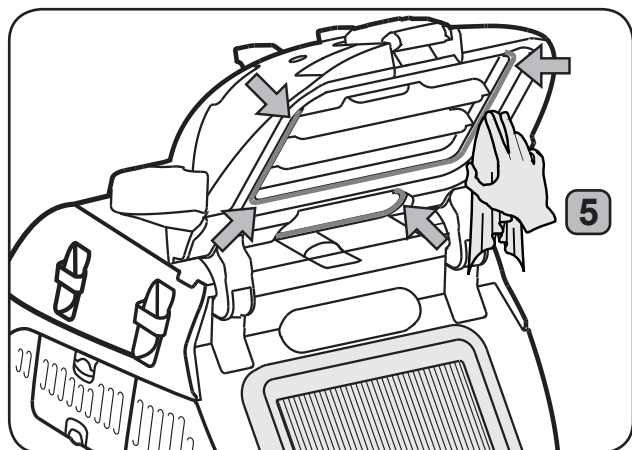
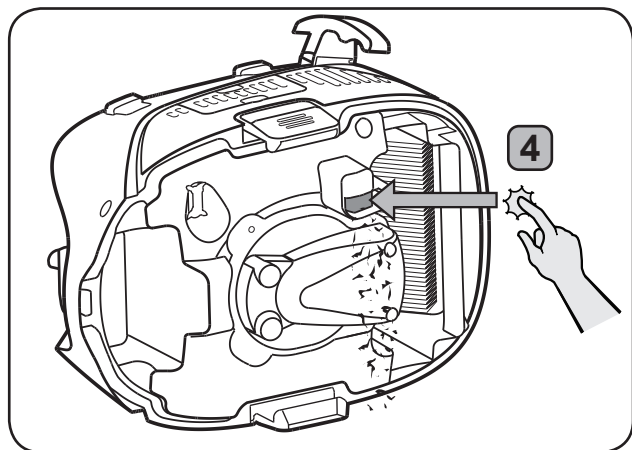
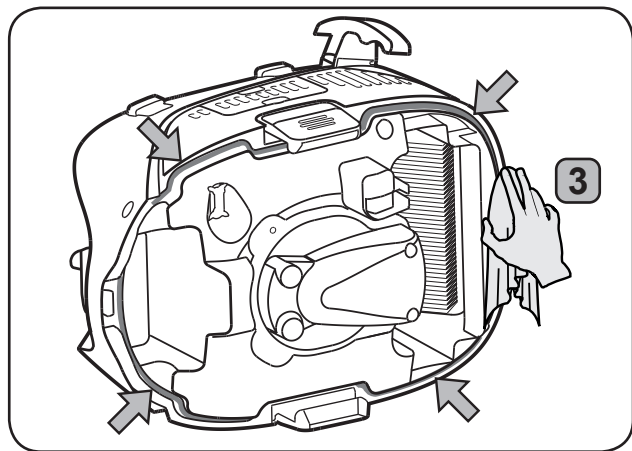
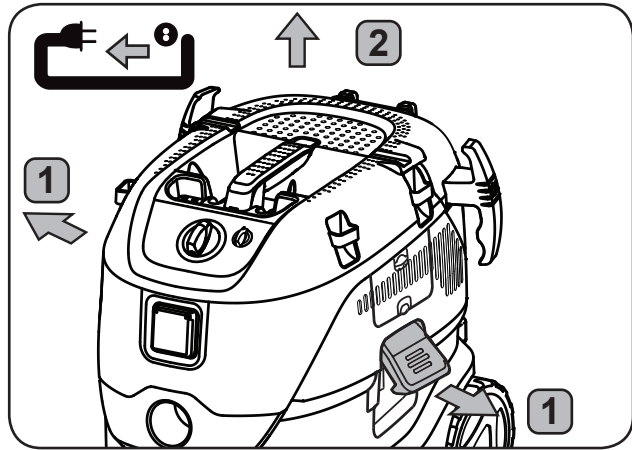
D3



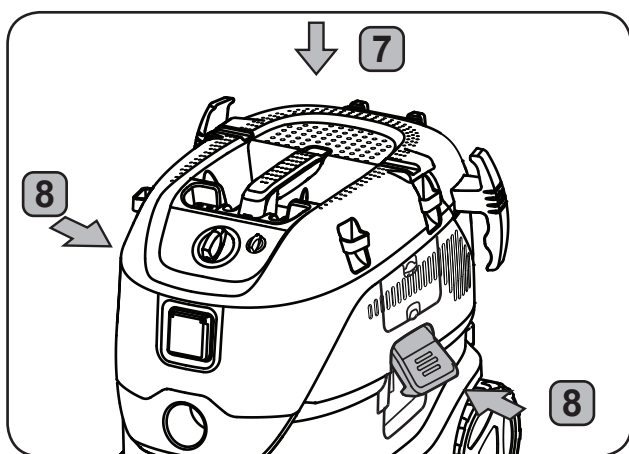
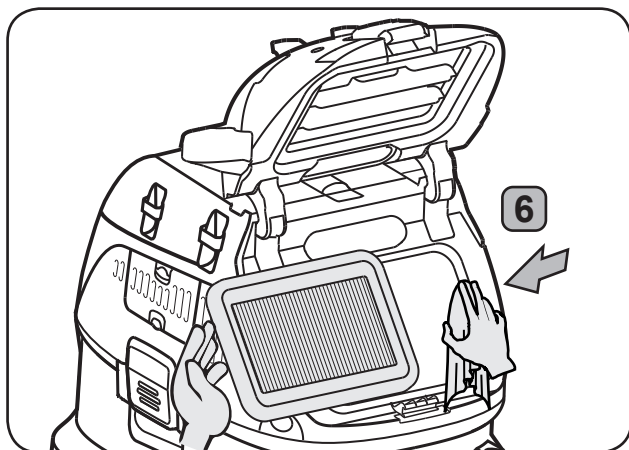
D4



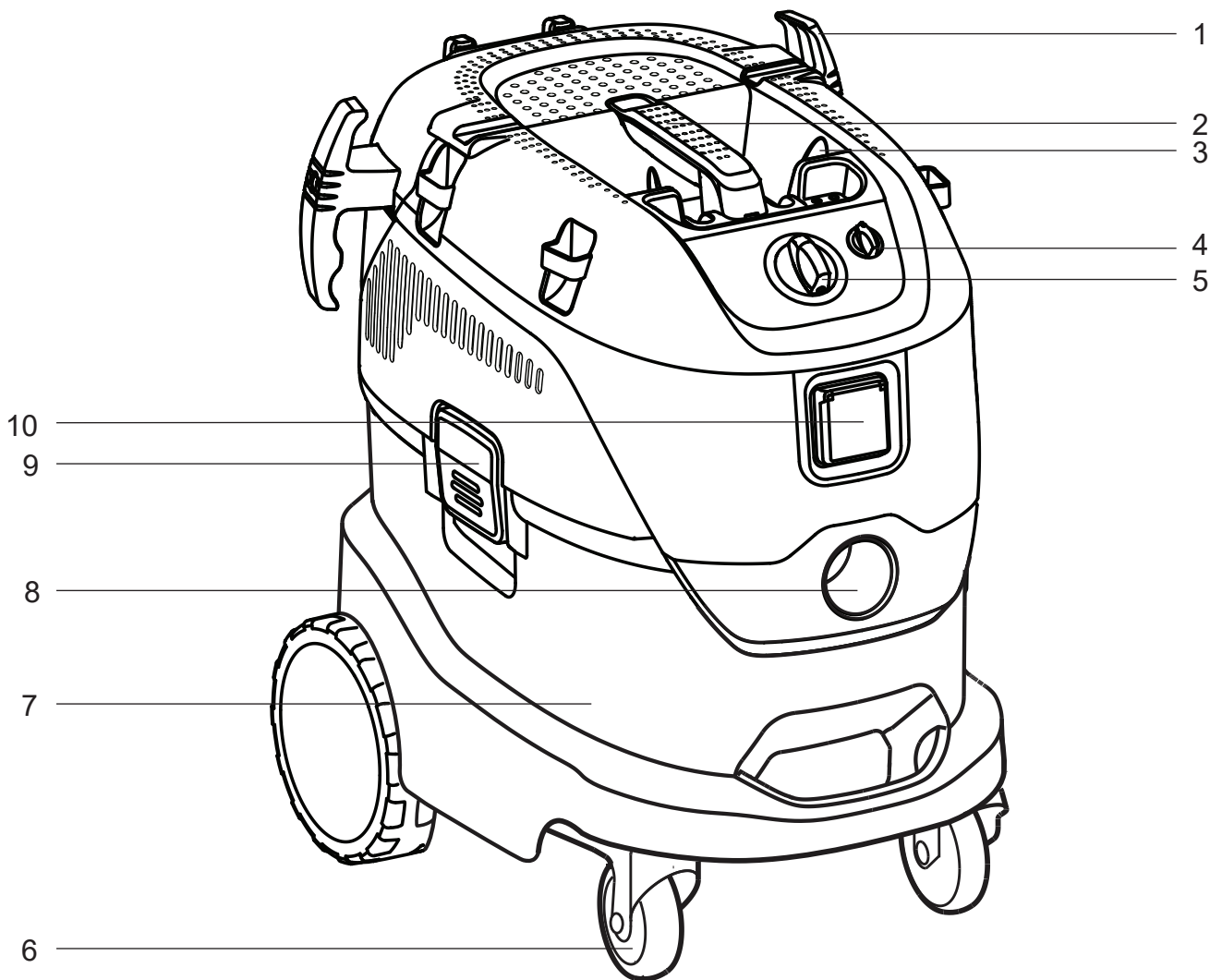
D5



D5



Bedienelemente



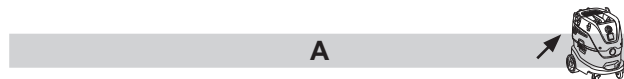
Quick reference guide

Operating elements

- 1 Hose hook
- 2 Handle
- 3 Accessory positions
- 4 Suction power control
- 5 Switch
- 6 Castor
- 7 Container
- 8 Inlet fitting
- 9 Latch
- 10 Appliance socket

The pictorial quick reference guide

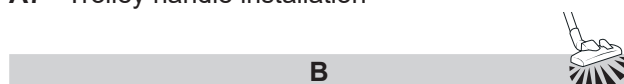
The pictorial quick reference guide is designed for helping you when starting up, operating and storing the unit. The guide are subdivided into 4 sections, which are represented by symbols:



Before starting

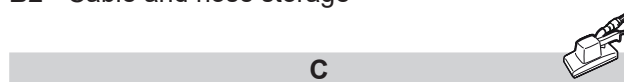
READ OPERATING INSTRUCTIONS BEFORE USE!

- A1** - Unpack accessories
- A2** - Filter bag installation
- A3** - Disposal bag installation
- A4** - Hose insert & operations
- A5** - Accessories placement
- A6** - Adaptor plate installation
- A7** - Trolley handle installation



Control/Operation

- B1** - AutoClean filter cleaning system
- B2** - Cable and hose storage



Connecting electrical appliances

- C1** - Power tool adaption



Maintenance

- D1** - Filter bag replacement
- D2** - Disposal bag replacement
- D3** - Filter replacement
- D4** - Motor cooling air diffuser cleaning
- D5** - Gaskets and floater cleaning

Contents

1 Safety instructions	11
1.1 Symbols used to mark instructions	11
1.2 Instructions for use	11
1.3 Purpose and intended use	11
1.4 Electrical connection	11
1.5 Extension lead	12
1.6 Guarantee	12
1.7 Important warnings	12
2 Risks	13
2.1 Electrical components	13
2.2 Hazardous dust	13
2.3 Spare parts and accessories	13
2.4 In explosive or inflammable atmosphere	13
3 Control / Operation	13
3.1 Starting and operating of the machine	13
3.2 Auto-On/Off socket outlet for power tools ...	14
3.3 AutoClean	14
3.4 Antistatic connection*)	14
3.5 Cooling air filter	14
3.6 Wet pick-up	15
3.7 Dry pick-up	15
4 After using the machine	15
4.1 After use	15
4.2 Transport	15
4.3 Storage	15
4.4 Accessory and tool storage	15
4.5 Recycling the machine	16
5 Maintenance	16
5.1 Regular servicing and inspection	16
5.2 Maintenance	16
6 Further information	16
6.1 EU Declaration of conformity	16
6.2 Specifications	17

1 Safety instructions



This document contains the safety information relevant for the appliance along with a quick reference guide. Before starting up your machine for the first time, this instruction manual must be read through carefully. Save the instructions for later use.

Further support

Further information on the appliance can be found on our web site at www.makita.com.

For further queries, please contact the Makita service representative responsible for your country.

See reverse of this document.

1.1 Symbols used to mark instructions

DANGER



Danger that leads directly to serious or irreversible injuries, or even death.

WARNING



Danger that can lead to serious injuries or even death.

CAUTION



Danger that can lead to minor injuries and damage.

1.2 Instructions for use

The appliance must:

- only be used by persons, who have been instructed in its correct usage and explicitly commissioned with the task of operating it
- only be operated under supervision

This appliance is not intended for use by persons (including children) with reduced physical, sensory or mental capabilities, or lack of experience and knowledge.

Children shall be supervised to make sure that they do not play with the appliance.

Do not use any unsafe work techniques.

Never use the appliance without a filter.

Switch off the appliance and disconnect the mains plug in the following situations:

- Prior to cleaning and servicing
- Prior to replacing components
- Prior to changing over the appliance
- If foam develops or liquid emerges

Besides the operating instructions and the binding accident prevention regulations valid in the country

of use, observe recognised regulations for safety and proper use.

Before starting work, the operating staff must be informed on and trained within:

- use of the machine
- risks associated with the material to be picked up
- safe disposal of the picked up material

1.3 Purpose and intended use

This mobile dust extractor is designed, developed and rigorously tested to function efficiently and safely when properly maintained and used in accordance with the following instructions.

This machine is suitable for industrial use, such as e.g. plants, construction sites and workshops.

This machine is also intended for commercial use, for example in hotels, schools, hospitals, factories, shops, offices and rental businesses.

Accidents due to misuse can only be prevented by those using the machine.

READ AND FOLLOW ALL SAFETY INSTRUCTIONS.

The appliance is suitable for picking up dry, non-flammable dust and liquids.

Any other use is considered as improper use. The manufacturer accepts no liability for any damage resulting from such use. The risk for such use is borne solely by the user. Proper use also includes proper operation, servicing and repairs as specified by the manufacturer.

The appliance is suitable for picking up dry, non-flammable dust and liquids, hazardous dusts with OEL (Occupational Exposure Limit) value > 1mg/m³. Dust Class L (IEC 60335-2-69).



For machines intended for the Dust Class L, the filter material is tested. The maximum degree of permeability is 1% and there is no special requirement for disposal.

For dust extractors, ensure adequate air change rate, when the exhaust air is returned to the room. Observe national regulations before use.

1.4 Electrical connection

It is recommended that the machine should be connected via a residual current circuit breaker.

Arrange the electrical parts (sockets, plugs and couplings) and lay down the extension lead so that the protection class is maintained.

Makita VC4210L

Connectors and couplings of power supply cords and extension leads must be watertight.

1.5 Extension lead

As an extension lead, only use the version specified by the manufacturer or one of a higher quality.

When using an extension lead, check the minimum cross-sections of the cable:

Cable length	Cross section	
	< 16 A	< 25 A
up to 20 m	1.5 mm ²	2.5 mm ²
20 to 50 m	2.5 mm ²	4.0 mm ²


1.6 Guarantee

Our general conditions of business are applicable with regard to the guarantee.

Unauthorized modifications to the appliance, the use of incorrect brushes in addition to using the appliance in a way other than for the intended purpose exempt the manufacturer from any liability for the resulting damage.

1.7 Important warnings

WARNING

 To reduce the risk of fire, electric shock, or injury, please read and follow all safety instructions and caution markings before use. This machine is designed to be safe when used for cleaning functions as specified. Should damage occur to electrical or mechanical parts, the machine and / or accessory should be repaired by a competent service center or the manufacturer before use in order to avoid further damage to the machine or physical injury to the user.

Do not leave the machine when it is plugged in. Unplug from the socket when not in use and before maintenance.

Outdoor use of the appliance shall be limited to occasional use.

Do not use with damaged cord or plug. To unplug grasp the plug, not the cord. Do not handle plug or machine with wet hands. Turn off all controls before unplugging.

Do not pull or carry by cord, use cord as a handle, close a door on cord, or pull cord around sharp edges or corners. Do not run

machine over cord. Keep cord away from heated surfaces.

Keep hair, loose clothing, fingers and all parts of the body away from openings and moving parts. Do not put any objects into openings or use with opening blocked. Keep openings free of dust, lint, hair, and anything else that could reduce the flow of air.

Do not use in outside areas at low temperature.

Do not use to pick up flammable or combustible liquids such as gasoline, or use in areas where they may be present.

Do not pick up anything that is burning or smoking, such as cigarettes, matches or hot ashes.

Use extra care when cleaning on stairs.

Do not use unless filters are fitted.

If the machine is not working properly or has been dropped, damaged, left outdoors, or dropped into water, return it to a service center or dealer.

If foam or liquid escapes from the machine, switch off immediately.

The machine may not be used as a water pump. The machine is intended for vacuuming air and water mixtures.

Connect the machine to a properly earthed mains supply. The socket outlet and the extension cable must have an operative protective conductor.

Provide for good ventilation at the working place.


Do not use the machine as a ladder or step ladder. The machine can tip over and become damaged. Danger of injury.

Only use the socket outlet on the machine for purposes specified in the instructions.

2 Risks

2.1 Electrical components


DANGER

 The upper section of the machine contains live components.

Contact with live components leads to serious or even fatal injuries.

1. Never spray water on to the upper section of the machine.

DANGER


 Electric shock due to faulty mains connecting lead.

Touching a faulty mains connecting lead can result in serious or even fatal injuries.

1. Do not damage the mains power lead (e.g. by driving over it, pulling or crushing it).
2. Regularly check whether the power cord is damaged or shows signs of ageing.
3. If the electric cable is damaged, it must be replaced by an authorized Makita distributor or similar qualified person in order to avoid a hazard.
4. In no circumstances should the power supply cord be wrapped around fingers or any part of the operators person.

2.2 Hazardous dust


WARNING

 Hazardous materials.
Vacuuming up hazardous materials can lead to serious or even fatal injuries.

1. The following materials must not be picked up by the machine:
 - hot materials (burning cigarettes, hot ash, etc.)
 - flammable, explosive, aggressive liquids (e.g. petrol, solvents, acids, alkalis, etc.)
 - flammable, explosive dust (e.g. magnesium or aluminium dust, etc.)

2.3 Spare parts and accessories

CAUTION

 Spare parts and accessories.


The use of non-genuine spare parts, brushes and accessories can impair the safety and or function of the appliance.

1. Only use original spare parts and accessories from Makita. Spare parts that can affect health and safety of the operator and or function of the appliance, are specified below:

Description	Order No.
Flat filter PTFE, 1 pcs.	W107418351
Fleece filter bag, 5 pcs.	W107418353
Disposal bag, 5 pcs.	W107418355
Motor cooling air filter PET, 1 pcs.	W107418352


2.4 In explosive or inflammable atmosphere

CAUTION

 This machine is not suitable for use in explosive or inflammable atmospheres or where such atmospheres are likely to be produced by the presence of volatile liquid or inflammable gas or vapour.

3 Control / Operation

CAUTION

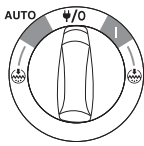



 Damage due to unsuitable mains voltage.
The appliance can be damaged as a result of being connected to an unsuitable mains voltage.

1. Ensure that the voltage shown on the rating plate corresponds to the voltage of the local mains power supply.

3.1 Starting and operating of the machine

1. Check that the electrical switch is switched off (in position 0).
2. Check that suitable filters are installed in the machine.
3. Connect the suction hose into the suction inlet at the machine by pushing the hose forward until it fits firmly in place at the inlet.
4. Connect the tubes with the hose handle, twist the tubes in order to ensure that they are properly fitted.

5. Attach suitable nozzle to the tube. Choose nozzle depending on what type of material that is to be picked-up.
6. If used for dust extraction in connection with dust producing tool then connect end of suction hose with appropriate adapter.
7. Connect the plug into a proper electrical outlet.
8. Put the electrical switch into position I in order to start the motor.

	Turn I: Activate the machine
	Turn I/O: Stop the machine. Permanent power on socket
	Turn AUTO : Activate Auto-On/Off operation
	Turn I +  : Activate the machine with deactivated automatic filter cleaning function
	Turn AUTO +  : Activate Auto-On/Off operation with deactivated automatic filter cleaning function
	Suction power control operation on separate turning knob

3.2 Auto-On/Off socket outlet for power tools

CAUTION



Appliance socket.

The appliance socket is designed for electrical auxiliary equipment; see technical data for reference.

1. Prior to plugging in an appliance, always switch off the machine and the appliance that is to be connected.
2. Read the operating instructions to the appliance to be connected and observe the safety notes contained in these.

An appliance socket with earthing contact is integrated in the machine. An external power tool can be connected there. The socket features permanent power on, when the electrical switch is in position I/O, i.e. the machine can be used as an extension cord.

In position AUTO the machine can be switched on and off by the power tool connected. Dirt is picked up from the source of dust immediately. To comply with regulations, only approved dust producing tools should be connected.

The maximum power consumption of the connected electrical appliance is stated in section "Specifications".

Before turning the switch to position AUTO ensure that the tool connected to the appliance socket is switched off.

3.3 AutoClean

The machine is equipped with an automatic filter cleaning system, AutoClean. A frequent cleaning cycle will automatically run during operation to ensure that suction performance is always at its best.

If suction performance decreases or in extensive dust applications a manually filter cleaning operation is recommended:

1. Switch off the machine.
2. Close the nozzles or suction hose opening with the palm of your hand.
3. Turn the switch to position „I“ and let the machine operate at full speed for approx. 10 seconds with the suction hose opening closed.

If suction power is still reduced take out the filter and clean mechanically or replace filter.

For certain applications, like wet pick up, it is recommended to turn off the automatic filter cleaning system. For details see chapter 3.1.

3.4 Antistatic connection^{*)}

CAUTION



The machine is equipped with an antistatic system to discharge any static electricity that may develop during dust pick-up.

The antistatic system is placed in front part of the motor top and creates an earth ground connection to the inlet fitting of the container.

For proper function the use of an electrical conductive or antistatic suction hose is recommended.


1. When inserting the optional disposal bag make sure the antistatic connection is kept.

3.5 Cooling air filter

To protect the electronics and motor, the machine is equipped with a cooling air diffusor. Clean the cooling air diffusor regularly.


For areas with a high concentration of fine dust in the surrounding air it is recommended to equip the machine with an optional cooling air filter cartridge to prevent dust from settling inside the air channels and motor. Contact your local sales representative.

CAUTION

 If cooling air filter is clogged by dust the overload protection switch in the motor can be activated.

1. In such case switch off the machine, clean cooling air filter and allow machine to cool for approx. 5 minutes.

3.6 Wet pick-up**CAUTION**

 The machine is equipped with a water level limit system which shuts off the machine when the maximum liquid level is reached.

1. When this occurs, switch off the machine.
2. Disconnect the machine from the socket and empty the container.
3. Never pick up liquids without the water level limit system and filter in place.
4. Do not pick up flammable liquids.
5. Before liquids are picked up, always remove the filter bag/wastebag and check that the water level limit works properly.
6. If foam appears, stop work immediately and empty the tank.
7. Clean the water level limiting device regularly and check for signs of damage.


Before emptying the container, unplug the machine. Disconnect the hose from the inlet by pulling out the hose. Release the latches by pulling them outwards so that the motor top is released. Lift up the motor top from container. Always empty and clean the container and water level limit system after picking-up liquids.

Empty by tilting the container backwards or sideways and pour the liquids into a floor drain or similar.

Put back the motor top to the container. Secure the motor top with the latches.

Heavy maneuvers can, by mistake, trigger the water level limiting device. Should this happen; turn off the machine and wait for 3 seconds to reset the device. Continue to operate the machine afterwards.

3.7 Dry pick-up**CAUTION**

 Picking up environmentally hazardous materials.

Materials picked up can present a hazard to the environment.

1. Dispose of the dirt in accordance with legal regulations.

Remove the electrical plug from the socket before emptying after dry pick-up. Release the latches by pulling them outwards so that the motor top is released. Lift up the motor top from container.

Filter: Check the filters. To clean the filter you can shake, brush or wash it. Wait until the filter is dry before re-starting dust pick-up.

Dust bag: check bag to ensure the fill factor. Replace dust bag if necessary. Remove the old bag. The new bag is fitted by passing the cardboard piece with the rubber membrane through the vacuum inlet. Make sure that the rubber membrane is passing past the heightening at the vacuum inlet.

After emptying: close motor top to the container and secure the motor top with the latches. Never pick up dry material without filter fitted in the machine. The suction efficiency of the machine depends on the size and quality of the filter and dust bag. Therefore – use only Original filter and dust bags.


4 After using the machine**4.1 After use**

Remove the plug from the socket when machine is not in use. Wind up the cord starting from the machine. The power cord can be wound up around the motor top or at the container or placed in the included hook, or fastening means. Some variants have special storage places for accessories.

4.2 Transport

1. Before transporting the machine, close all the latches.
2. Do not tilt the machine if there are liquids in the dirt tank.
3. Do not use a crane hook to lift the machine.
4. Do not lift the machine by the trolley handle^{*)} or the handle of the MAKPAC-Box^{*)}.

4.3 Storage**CAUTION**

 Store the appliance in a dry place, protected from rain and frost. The machine shall be stored indoors only.

4.4 Accessory and tool storage

For convenient transport and storage of accessories or tools, integrated rails are found on side of machine which allows fastening with straps or other means. A flexible strap and hooks are included on back of machine for attachment of suction hose or mains cable. For instruction see quick reference guide.

^{*)} Optional accessories / Option depending on model
Original instruction

Makita VC4210L

An optional adapter plate^{*)} with attachment system can be installed on top of machine for fastening of 2-point or 4-point storage cases.

Remove the electrical plug from the socket before installing the adapter plate.

CAUTION^{*)}



Do not lift machine in adapter plate without having storage case safely installed. Note the weight and balance of the appliance in case of storage. Maximum weight of storage cases is 30 kg.

4.5 Recycling the machine

Make the old machine unusable.

1. Unplug the machine.
2. Cut the power cord.
3. Do not discard of electrical appliances with household waste.



As specified in European Directive 2012/19/EU on old electrical and electronic appliances, used electrical goods must be collected separately and recycled ecologically.

5 Maintenance

5.1 Regular servicing and inspection

Regular servicing and inspection of your machine must be carried out by suitably qualified personnel in accordance with relevant legislation and regulations. In particular, electrical tests for earth continuity, insulation resistance, and condition of the flexible cord should be checked frequently.

In the event of any defect, the machine MUST be withdrawn from service, completely checked and repaired by an authorized service technician.

At least once a year, a Makita technician or an instructed person must perform a technical inspection including filters, air tightness and control mechanisms.

5.2 Maintenance

Remove the plug from the socket before performing maintenance. Before using the machine make sure that the frequency and voltage shown on the rating plate correspond with the mains voltage.

The machine is designed for continuous heavy work. Depending on the number of running hours – the dust filter should be renewed. Keep the machine clean with a dry cloth, and a small amount of spray polish.

During maintenance and cleaning, handle the machine in such a manner that there is no danger for maintenance staff or other persons.

In the maintenance area:

- Use filtered compulsory ventilation
- Wear protective clothing
- Clean the maintenance area so that no harmful substances get into the surroundings

During maintenance and repair work all contaminated parts that could not be cleaned satisfactorily must be:

- Packed in well sealed bags
- Disposed of in a manner that complies with valid regulations for such waste removal.

For details of after sales service contact your dealer or Makita service representative responsible for your country. See reverse of this document.

6 Further information

6.1 EU Declaration of conformity

We hereby declare that the machine described below complies with the relevant basic safety and health requirements of the EU Directives, both in its basic design and construction as well as in the version put into circulation by us. This declaration shall cease to be valid if the machine is modified without our prior approval.

Product: Wet and dry vacuum cleaner
Type: VC4210L

Relevant EU Directives:
2006/42/EC, 2014/30/EU, 2011/65/EU

Applied harmonized standards:
EN 60335-1:2012+A11:2014
EN 60335-2-69:2012
EN 55014-1:2006+A1:2009+A2:2011
EN 55014-2:1997+A1:2001+A2:2008
EN 61000-3-2:2014
EN 61000-3-3:2013
EN 50581:2012

Authorised Documentation Representative:
Makita Europe N.V., Jan-Baptist Vinkstraat 2,
3070 Kortenberg, Belgium

02.01.2017

Yasushi Fukaya, Director
Makita Europe N.V., Jan-Baptist Vinkstraat 2,
3070 Kortenberg, Belgium

6.2 Specifications

Makita VC4210L						
	EU / FR / RU	AU / NZ	CH	GB	CA / US / MX	
Mains Voltage	220-240	220-240	220-240	220-240	110-120	
Mains frequency		50/60			50/60	
Power consumption		1200			890 / 7.4 A	
Connected load for appliance socket	2400	1100	1100	1700	550 / 4.6 A	
Total connected load	3600	2300	2300	2900	1440 / 12 A	
Fuse	16	10		13	15	
Volume flow (air) max. ^{*)}		4500 (270)			4200 (252)	
Vacuum		250 (250)			230 (230)	
Sound pressure level (IEC 60335-2-69)			62 ±2			
Sound level			60 ±2			
Hand-arm vibration			<2.5			
Power cord length			7.5			
Power cord type	H07RN-F 3G1.5 mm ²	H05RN-F 3G1.00 mm ²		H07RN-F 3G1.5 mm ²	SJTW-A 3AWG16	
Protection class			I			
Type of protection			IPX4			
Radio interference suppression level			EN 55014-1			
Dust class			L			
Tank volume	l (UKgal)		42 (9.2)			
Width	mm (in)		385 (15.2)			
Depth	mm (in)		575 (22.6)			
Height	mm (in)		605 (23.8)			
Weight (net, most common application)	kg (lb)		16.0 (35.3)			

^{*)} measured at turbine
Specifications and details are subject to change without prior notice.

Hurtigguide

Betjeningsorganer

- 1 Krok til slange
- 2 Håndtak
- 3 Tilbehør posisjoner
- 4 Hastighetskontroll
- 5 Bryter
- 6 Trillehjul
- 7 Beholder
- 8 Inntaksflens
- 9 Lås
- 10 Apparatkontakt

Illustrert hurtigguide

Den illustrerte hurtigguiden er laget for å hjelpe deg når du starter opp, bruker og oppbevarer enheten. Guiden er delt opp i 4 seksjoner som identifiseres av symboler:

A



Før oppstart

LES SIKKERHETSINSTRUKSJONENE FOR BRUK!

- A1** - Pakk opp tilbehøret
- A2** - Montering av filterpose
- A3** - Montering av avfallspose
- A4** - Innsetting av slangen og drift
- A5** - Plassering av tilbehøret
- A6** - Montering av adapterplate
- A7** - Montering av trallehåndtak

B



Kontroll/bruk

- B1** - AutoClean filterrengjøringsystem
- B2** - Oppbevaring av kabel og slange

C



Tilkobling av elektriske apparater

- C1** - Tilpasning av elektrisk verktøy

D



Vedlikehold

- D1** - Utskifting av filterpose
- D2** - Utskifting av avfallspose
- D3** - Utskifting av filter
- D4** - Rengjøring av motorkjølt ventil
- D5** - Rengjøring av pakninger og flottør

Innhold

1	Sikkerhetsanvisninger	46
1.1	Symboler som er brukt for merking av instruksjoner	46
1.2	Bruksanvisning	46
1.3	Formål og tilsiktet bruk	46
1.4	Strømtilkobling	46
1.5	Skjøteledning	47
1.6	Garanti	47
1.7	Viktige advarsler.....	47
2	Farer	47
2.1	Elektriske komponenter.....	47
2.2	Farlig støv	48
2.3	Reservedeler og tilbehør.....	48
2.4	I eksplosiv eller brannfarlig atmosfære	48
3	Kontroll/bruk	48
3.1	Start og bruk av maskinen	48
3.2	Auto-På/Av kontakt for elektriske verktøy ...	49
3.3	AutoClean	49
3.4	Antistatisk kobling*)	49
3.5	Kjøleluftfilter	49
3.6	Oppsamling av væske.....	49
3.7	Oppsamling av tørt materiale	50
4	Etter bruk av maskinen	50
4.1	Etter bruk.....	50
4.2	Transport	50
4.3	Oppbevaring.....	50
4.4	Lagring av tilbehør og verktøy.....	50
4.5	Resirkulering av maskinen	50
5	Vedlikehold	51
5.1	Regelmessig service og inspeksjon	51
5.2	Vedlikehold	51
6	Ytterligere informasjon	51
6.1	EU samsvarserklæring	51
6.2	Spesifikasjoner	52

1 Sikkerhetsanvisninger



Dette dokumentet inneholder sikkerhetsinformasjon som er relevant for apparatet sammen med hurtig-guiden. Les denne bruksanvisningen nøye før du starter maskinen for første gang. Ta vare på bruksanvisningen til senere bruk.

Ytterligere støtte

Ytterligere informasjon om apparatet finner du på vår nettside www.makita.com.

For ytterligere spørsmål bes du ta kontakt med servicerepresentanten for Makita i ditt land.

Se baksiden av dette dokumentet.

1.1 Symboler som er brukt for merking av instruksjoner

FARE



Fare som fører til alvorlige eller irreversible personskader, eller død.

ADVARSEL



Fare som kan føre til alvorlig personskade eller død.

FORSIKTIG



Fare som kan føre til mindre personskader og annen skade.

1.2 Bruksanvisning

Apparatet må:

- kun brukes av personer som har fått opplæring i korrekt bruk og som er uttrykkelig gitt oppgaven med å bruke det
- bare brukes under oppsyn

Denne maskinen er ikke beregnet på bruk av personer (deriblant barn) med reduserte fysiske, sansemessige eller mentale evner eller mangel på erfaring og kunnskap.

Barn må være under oppsyn for å sikre at de ikke leker med apparatet.

Ikke bruk utrygge arbeidsteknikker.

Bruk aldri apparatet uten filter.

Slå av maskinen og trekk ut støpselet i følgende situasjoner:

- Før rengjøring og service
- Før utskifting av komponenter
- Før omstilling av maskinen
- Hvis det utvikler seg skum eller det kommer ut væske

I tillegg til bruksanvisningen og de obligatoriske ulykkesforebyggende reglene som gjelder i landet apparatet brukes i, må vanlige regler for sikkerhet og korrekt bruk følges.

Før arbeidet settes i gang, må medarbeiderne bli informert om og læres opp innen følgende områder:

- bruk av maskinen
- risikoer knyttet til materiale som samles opp
- sikker avfallshåndtering av oppsamlet materiale

1.3 Formål og tilsiktet bruk

Denne mobile støvavsugeren er utformet, utviklet og strengt testet for å fungere effektivt og sikkert når den vedlikeholdes og brukes i samsvar med følgende anvisninger.

Denne maskinen er egnet for industrielt bruk, som f.eks. på anlegg, byggeplasser og verksteder.

Denne maskinen er også egnet for profesjonell bruk, for eksempel på hoteller, skoler, sykehus, fabrikker, kontorer, i butikker og utleievirksomheter.

Ulykker som skyldes misbruk kan bare forhindres av dem som bruker maskinen.

LES OG FØLG ALLE SIKKERHETSANVISNINGER.

Maskinen egner seg for å ta opp tørt, ikke-brennbart støv og væsker.

All annen bruk regnes som feilaktig bruk. Produsenten påtar seg ikke ansvar for eventuelle skader som følge av feilaktig bruk. Risikoen hviler i disse tilfeller ene og alene på brukeren. Riktig bruk omfatter riktig betjening, vedlikehold og reparasjoner som angitt av produsenten.

Maskinen egner seg for å ta opp tørt, ikke-brennbart støv og væsker, farlig støv med OEL-verdi (Eksponeeringsgrenseverdi) $> 1 \text{ mg/m}^3$. Støvklasse L (IEC 60335-2-69).



Filteret i maskiner ment for støvklasse L er testet. Maksimal gjennomtrengelighet er 1 %, og uten spesielle krav til avfallshåndtering.

For støvavsugere må adekvat luftfaktor være L når avtrekksluften returneres til rommet. Les nasjonale bestemmelser før bruk.

1.4 Strømtilkobling

Det anbefales at maskinen kobles til via en jordfeilbryter.

Organiser de elektriske delene (kontakter, plugg og koblinger) og legg ned skjøteledninger slik at beskyttelsesklassen opprettholdes.

Kontakter og koblinger til apparatkabelen og skjøteledningene må være vanntette.

1.5 Skjøteledning

Bruk bare slik skjøteledning som er angitt av produsenten eller en av høyere kvalitet.

Når du bruker skjøteledning må du kontrollere tverrsnittet på lederne:

Kabellengde	Tverrsnitt	
	< 16 A	< 25 A
opp til 20 m	1,5 mm ²	2,5 mm ²
20 til 50 m	2,5 mm ²	4,0 mm ²


1.6 Garanti

Våre generelle forretningsvilkår gjelder med hensyn til garantien.

Uautoriserte modifikasjoner som er utført på dette apparatet, bruk av feil børster i tillegg til å bruke apparatet på andre måter enn det det er tiltenkt fritar produsenten fra ethvert erstatningsansvar for eventuelle skader som måtte oppstå.

1.7 Viktige advarsler

ADVARSEL

 For å redusere faren for brann, elektrisk støt eller personskade ber vi deg lese og følge alle sikkerhetsanvisninger for forsiktighetsmerking før bruk. Denne maskinen er konstruert for å være sikker når den brukes til rengjøringsfunksjoner slik det er angitt. Skulle det oppstå skade på de elektriske eller mekaniske delene må maskinen og/eller tilbehøret repareres av et kompetent serviceverksted eller produsenten før bruk for å unngå ytterligere skade på maskinen eller fysisk skade på brukeren.

Ikke etterlat maskinen når den er pluggert inn. Trekk pluggen ut av kontakten når den ikke er i bruk og før vedlikehold.

Utendørs bruk av apparatet skal begrenses til bruk av og til.

Må ikke brukes med skadd kabel eller plugg. For å trekke ut pluggen må du ta tak i pluggen, ikke kablen. Ikke håndter pluggen eller maskinen med våte hender. Slå av alle kontroller før du trekker ut pluggen.

Ikke trekk eller bær den etter kablen, bruk kablen som håndtak, lukk døren over kablen, eller trekk kablen rundt skarpe hjørner. Ikke kjør maskinen over kablen. Hold apparatkablen borte fra varme overflater.

Hold hår, løstsittende klær, fingre og alle kroppsdeler unna åpningene og bevegelige deler. Ikke plasser gjenstander i åpninger eller bruk støvsugeren med åpningene blokkert. Hold åpningene fri for støv, lo, hår og alt annet som kan redusere luftstrømmen.

Må ikke brukes utendørs ved lave temperaturer.

Må ikke brukes til å ta opp brennbare eller brannfarlige væsker som bensin, eller brukes i områder der slikt kan være tilstede.

Ikke ta opp noe som brenner eller som avgir røyk, som sigaretter, fyrstikker eller varm aske.

Vær ekstra forsiktig når du rengjør trapper.

Må ikke brukes hvis filtrene ikke er montert.

Hvis maskinen ikke fungerer korrekt eller har falt ned, blitt skadet, etterlatt utendørs eller har falt ned i vann må den leveres inn til et serviceverksted eller forhandleren.

Hvis det kommer skum eller væske ut av maskinen må du slå den av med en gang.

Maskinen må ikke brukes som vannpumpe. Maskinen er konstruert for å ta opp luft- og vannblandinger.

Koble maskinen til en korrekt jordet stikkontakt. Stikkontakten og skjøteledningen må ha en fungerende beskyttelsesleder.


Sikre god ventilasjon på arbeidsstedet.

Ikke bruk maskinen som stige eller gardintrapp. Maskinen kan velte og bli skadet. Fare for personskade.

2 Farer

2.1 Elektriske komponenter


FARE

 Maskinens øvre del inneholder strømførende komponenter.

Kontakt med strømførende komponenter fører til alvorlige skader eller til og med livsfarlige skader.

1. Ikke sprøyt vann på den øvre delen av maskinen.

FARE


 Elektrisk støt på grunn av feil i apparatkabelen.

Berøring av en defekt apparatkabel kan føre til alvorlig eller til og med livsfarlige skader.

1. Ikke skade apparatkabelen (f.eks. ved å kjøre over den, trekke i den eller klemme den).
2. 2. Kontroller regelmessig om apparatledningen er skadet eller viser tegn på aldring.
3. 3. Hvis strømledningen er skadet, må den skiftes av en autorisert Makita-forhandler eller tilsvarende kvalifisert person, for å unngå at det oppstår farlige situasjoner.
4. 4. Apparatkabelen må ikke under noen omstendighet tvinnes rundt fingrene eller noen del av operatøren.

2.2 Farlig støv


ADVARSEL

 Farlige materialer.
Oppsuging av farlige materialer kan føre til alvorlige og til og med livstruende skader.

1. Følgende materialer skal ikke samles opp med maskinen:
 - varme materialer (brennende sigaretter, varm aske, osv.)
 - brennbare, eksplosive eller aggressive væsker (det vil si bensin, løsemidler, syrer, alkalier, osv.)
 - brennbart, eksplosivt støv (det vil si magnesium- eller aluminiumstøv, osv.)

2.3 Reservedeler og tilbehør

FORSIKTIG


 Reservedeler og tilbehør.
Bruk av uoriginale reservedeler, børster og tilbehør kan skade sikkerheten og/eller funksjonaliteten i apparatet.

1. Bruk bare originale reservedeler og tilbehør fra Makita. Reservedeler som kan påvirke operatørens helse og sikkerhet, og/eller funksjonaliteten til apparatet, er spesifisert nedenfor:

Beskrivelse	Bestillingsnr.
Flatt filter PTFE, 1 stk.	W107418351
Fleece-filterpose, 5 stk.	W107418353
Avfallspose, 5 stk.	W107418355
Motorkjølt luftfilter PET, 1 stk.	W107418352


2.4 I eksplosiv eller brannfarlig atmosfære

FORSIKTIG

 Denne maskinen egner seg ikke for bruk i eksplosive eller ildsfarlige atmosfærer eller der slike atmosfærer kan utvikles når det finnes flyktige væsker eller ildsfarlige gasser eller damp.

3 Kontroll/bruk

FORSIKTIG

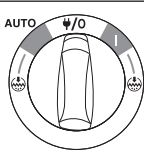



 Skader på grunn av feil spenning.
Apparatet kan bli ødelagt hvis det kobles til feilaktig spenning.

1. Kontroller at spenningen som vises på typeskiltet tilsvarer spenningen i den lokale strømforsyningen.

3.1 Start og bruk av maskinen

1. Kontroller at bryteren er slått av (i posisjon 0).
2. Kontroller at de korrekte filtrene er installert i maskinen.
3. Koble så til sugeslangen i sugerørsinntaket på maskinen ved å skyve slangen fram til den sitter godt på plass i inntaket.
4. Koble deretter de to slangene til slangehåndtaket, vri slangene for å sikre at de sitter korrekt.
5. Monter et egnet munnstykke/dyse til røret. Kontroller munnstykket/dysen avhengig av hva slags materiale som skal samles opp.

6. Hvis den brukes for støvavsuging i forbindelse med støvproduserende verktøy, skal enden av sugeslangen kobles til riktig adapter.
7. Koble pluggen til en korrekt stikkontakt.
8. Sett bryteren til posisjon I for å starte motoren.

	Vri til posisjon I: Aktiver maskinen
	Vri til posisjon I/O: Stopp maskinen. Permanent strømtilførsel med støpsel
	Vri til posisjon AUTO : Aktiver Auto-På/Av drift
	Vri til posisjon I+  : Aktiver maskinen med deaktivert automatisk filter rengjøring
	Vri til posisjon AUTO +  : Aktiver Auto-På/Av med deaktivert automatisk filterrengjøring. Hastighetskontroll på separat bryter
	Hastighetskontroll på separat bryter

3.2 Auto-På/Av kontakt for elektriske verktøy

FORSIKTIG



Apparatkontakt.

Apparatkontakten er utformet for elektrisk utstyr, se tekniske data for referanse.

1. Før du plugger inn et apparat må maskinen og apparatet som skal kobles til alltid slås av.
2. Les bruksanvisningene for apparatet som skal kobles til og overhold sikkerhetsmerkningene som finnes i dem.

Det er montert en jordet kontakt på maskinen. Et eksternt elektrisk verktøy kan kobles til her. Kontakten har en permanent strømtilførsel^{*)}, og når strømbryteren står i f.eks., posisjon I/O, kan maskinen brukes som skjøteledning.

I posisjon AUTO kan maskinen slås av og på med det elektriske verktøyet som er tilkoblet. Materialet samles opp fra støvkilden umiddelbart. For å overholde regelverket må bare godkjent støvproduserende verktøy kobles til.

Maksimal effekt for det tilkoblede elektriske apparatet er oppgitt i avsnittet "Spesifikasjoner".

Før du vrir bryteren til posisjon AUTO må du sikre at verktøyet som er koblet til apparatkontakten er slått av.

3.3 AutoClean

Maskinen er utstyrt med et automatisk filterrengjøringssystem kalt AutoClean. Det vil alltid kjøres

en rensesyklus under drift for å sikre at sugelytelsen alltid er optimal.

Hvis sugelytelsen reduseres eller ved omfattende støvapplikasjoner, anbefales manuell filterrengjøring.

1. Slå av maskinen.
2. Lukk munnstykkene eller åpningen til sugeslangen med håndflaten.
3. Vri bryteren til posisjon I og la maskinen kjøre på full hastighet i ca. 10 sekunder med sugeslangeåpningen lukket.

Hvis sugekraften fortsatt er redusert, ta ut filteret og rengjør manuelt eller skift ut filteret.

For visse applikasjoner, som oppsamling av væske, anbefales det å slå av det automatiske filterrengjøringssystemet. Se kapittel 3.1 for mer informasjon.

3.4 Antistatisk kobling^{*)}

FORSIKTIG



Maskinen er utstyrt med et antistatisk system for å fjerne statisk elektrisitet som kan utvikles under støvoppsamling.

Det antistatiske systemet er plassert foran på motortoppen og har en jordet kobling i beholderens inntaksflens.

Bruk av en elektrisk ledende eller antistatisk sugeslange anbefales.

1. Når avfallsposen settes inn må den antistatiske koblingen opprettholdes.

3.5 Kjøleluftfilter

For å beskytte elektronikken og motoren er maskinen utstyrt med en motorkjølt ventil. Rengjør den motorkjølte ventilen regelmessig.

For områder med høy konsentrasjon av fint støv i omgivelsesluften, anbefales det å utstyre maskinen med en kjøleluftfilterpatron for å hindre at støvet setter seg på innsiden av luftkanalene og i motoren. Ta kontakt med din lokale salgsrepresentant.

FORSIKTIG



Hvis kjøleluftfilteret er tilstoppet av støv, kan overlastbryteren i motoren aktiveres. I slike tilfeller må du slå av maskinen, rengjøre kjøleluftfilteret og la maskinen kjøles ned i ca. 5 minutter.

3.6 Oppsamling av væske

FORSIKTIG



Maskinen er utstyrt med en vannivåspærre som slår av maskinen når toppnivået er nådd.

1. Når dette skjer, slår du av maskinen.
2. Trekk ut støpselet og tøm beholderen.

^{*)} Tilvalgstilbehør / Tilbehør avhengig av modell
Oversettelse av den opprinnelige anvisningen

3. Du må aldri samle opp væske uten vannivåsperre og filter.
4. Ikke samle opp brennbare væsker.
5. Før du samler opp væsker, må du alltid kontrollere at flottøren eller vannivåsperran fungerer tilfredsstillende.
6. Hvis det forekommer skum, må du straks stanse arbeidet og tømme beholderen.
7. Rengjør jevnlig utstyret som begrenser vannivået og kontrollerer det for skader.

Før du tømmer beholderen må du plugge ut maskinen. Koble slangen fra inntaket ved å trekke slangen ut. Åpne låsen ved å trekke dem ut slik at motortoppen frigjøres. Løft av motortoppen fra beholderen. Tøm og rengjør alltid beholderen og vannivåsperran etter at du etter at du har samlet opp væsker.


Tøm beholderen ved å tippe den bakover eller sideveis, og tøm væsken i et gulvsluk eller liknende.

Sett motortoppen på plass på beholderen. Sikre motoren med låsene.

Tunge manøvre kan utløse vannivåsperranheten. Hvis dette skulle skje, må du slå av maskinen og vente i 3 sekunder før å tilbake stille enheten. Du kan nå fortsette å bruke maskinen.

3.7 Oppsamling av tørt materiale

FORSIKTIG

 Oppsamling av miljøfarlige materialer.

Materialer som samles opp kan utgjøre en fare for miljøet.

1. Kvitt deg med avfallet i overensstemmelse med lovforskriftene.

Ta ut den elektriske pluggen fra stikkkontakten før du tømmer etter oppsamling av tørt materiale. Åpne låsen ved å trekke dem ut slik at motortoppen frigjøres. Løft av motortoppen fra beholderen.

Filter: Kontroller filterene. For å rengjøre filteret kan du enten riste, børste eller vaske det. Vent til filteret er tørt før du starter støvoppsamlingen på nytt.

Støvpose: kontroller posen for å sikre fyllingsfaktoren. Bytt ut støvsugerposen ved behov. Fjern den gamle posen. Den nye posen monteres ved å plassere pappstykket med gummimembranen gjennom støvsugerinntaket. Pass på at gummimembranen går gjennom opphøyningen ved støvsugerinntaket.

Etter tømning: lukk motortoppen på beholderen og lås motortoppen med låsene. Samle aldri opp tørt materiale uten at filteret er montert i maskinen. Maskinens sugeseffekt avhenger av størrelsen og kvaliteten på filteret og støvposen. Derfor - bruk bare originalt filter og støvsugerposer.

4 Etter bruk av maskinen

4.1 Etter bruk


Ta pluggen ut av stikkkontakten når maskinen ikke er i bruk. Rull opp apparatkabelen og start fra maskinen. Strømkabelen kan ruller opp rundt motortoppen eller ved beholderen, eller festes i den medfølgende kroken eller andre festeordninger. Noen varianter har egne oppbevaringsrom for tilbehør.

4.2 Transport

1. Før transport av maskinen, må alle låser sikres.
2. Ikke tipp maskinen hvis det er væske i avfallsbeholderen.
3. Ikke bruk krok for å løfte maskinen.
4. Ikke løft maskinen med trallehåndtaket^{*)} eller håndtaket på MAK-PAC-Box^{*)}.

4.3 Oppbevaring

FORSIKTIG

 Oppbevar apparatet på et tørt sted beskyttet mot regn og frost. Maskinen må kun oppbevares innendørs.


4.4 Lagring av tilbehør og verktøy

Maskinen har integrerte skinner som tillater festing med stropper eller andre festeordninger for praktisk transport og oppbevaring av tilbehør eller verktøy. Det sitter en fleksibel stropp og flere kroker på maskinens bakside for festing av sugeslangen eller hovedkabelen. For instruksjoner, se hurtigreferanseveiledningen.

En adapterplate^{*)} med festesystem kan monteres øverst på maskinen for festing av 2-/4-punkts oppbevaringskasser.

Ta ut den elektriske pluggen fra stikkkontakten før du installerer adapterplaten.

FORSIKTIG^{*)}

 Ikke løft maskinen i adapterplaten uten at oppbevaringskassen er forsvarlig montert. Merk deg apparatets vekte og balanse ved oppbevaring. Maksimal vekt på oppbevaringskassene er 30 kg.

4.5 Resirkulering av maskinen

Gjør den gamle maskinen ubrukelig.

1. Trekk ut støpselet.
2. Kutt av apparatkabelen.
3. Ikke kast elektrisk utstyr sammen med husholdningsavfallet.



Som angitt i EU-direktivet 2012/19/EU vedrørende elektrisk og elektronisk utstyr, må brukte elektriske artikler samles inn for seg og resirkuleres på en miljøvennlig måte.

5 Vedlikehold

5.1 Regelmessig service og inspeksjon

Maskinen må kontrolleres og vedlikeholdes regelmessig av kvalifisert personell i samsvar med aktuelle lover og regler. Dette gjelder særlig for elektriske tester for jording, isolasjonsmotstand og tilstanden til den fleksible apparatkabelen som må kontrolleres ofte.

Ved eventuelle feil MÅ maskinen tas ut av drift, kontrolleres og repareres av en autorisert servicetekniker.

Minst en gang i året må en Makita-tekniker eller annen opplært person gjennomføre teknisk inspeksjon av bl.a. filtre, lufttetthet og kontrollmekanismer.

5.2 Vedlikehold

Ta pluggen ut av kontakten før du utfører vedlikehold. Før du bruker maskinen må du passe på at frekvensen og spenningen som framgår av merkeskiltet tilsvarer spenningen i det elektriske anlegget.

Maskinen er konstruert for kontinuerlig hard bruk. Avhengig av antallet driftstimer må støvfilteret skiftes ut. Hold maskinen ren med en tørr klut og litt spray-polish.

Under vedlikehold og rengjøring må maskinen håndteres på en slik måte at den ikke er til fare for hverken vedlikeholdspersonale eller andre personer.

I vedlikeholdsområdet:

- Bruk filtrert, obligatorisk ventilasjon
- Bruk verneklær
- Rengjør vedlikeholdsområdet slik at ingen skadelige substanser lekker ut i omgivelsene

Under vedlikehold og reparasjonsarbeid må alle forurensede deler som ikke kan rengjøres tilfredsstillende være:

- Pakket i forseglede poser
- Avfallshåndtert på en måte som oppfyller gjeldende lovgivning for slikt avfall.

Kontakt forhandleren eller din Makita-representant for spørsmål vedrørende service. Se baksiden av dette dokumentet.

6 Ytterligere informasjon

6.1 EU samsvarserklæring

Vi erklærer hermed at maskinen angitt nedenfor oppfyller de grunnleggende sikkerhets- og helsekravene i de relevante EFdirektivene, med hensyn til både design, konstruksjon og type markedsført av oss. Ved endringer på maskinen som er utført uten vårt samtykke, mister denne erklæringen sin gyldighet.

Produkt: Suger for tørt og vått materiale
Type: VC4210L

Relevante EU-direktiver:
2006/42/EU, 2014/30/EU, 2011/65/EU

Anvendte overensstemmende normer:
EN 60335-1:2012+A11:2014
EN 60335-2-69:2012
EN 55014-1:2006+A1:2009+A2:2011
EN 55014-2:1997+A1:2001+A2:2008
EN 61000-3-2:2014
EN 61000-3-3:2013
EN 50581:2012

Dokumentasjonsansvarlig:
Makita Europe N.V., Jan-Baptist Vinkstraat 2,
3070 Kortenberg, Belgium

02.01.2017

Yasushi Fukaya, Director
Makita Europe N.V., Jan-Baptist Vinkstraat 2,
3070 Kortenberg, Belgium

6.2 Spesifikasjoner

Makita VC4210L					
	EU / FR / RU	AU / NZ	CH	GB	CA / US / MX
Nettspenning	220-240	220-240	220-240	220-240	110-120
Nettfrekvens		50/60			50/60
Effektøktak		1200			890 / 7,4 A
Tilkoplingsverdi for apparatstikkontakt	2400	1100	1100	1700	550 / 4,6 A
Total tilkoplingsverdi	3600	2300	2300	2900	1440 / 12 A
Nettsikring	16	10		13	15
Luft-volumstrøm max. ¹⁾		4500 (270)			4200 (252)
Undertrykk		250 (250)			230 (230)
Måleflate-lydtrykknivå (IEC 60335-2-69)			62 ±2		
Arbeidsstøy			60 ±2		
Hånd-arm vibrasjon			<2,5		
Nettilkoplingsledning: Lengde			7,5		
Nettilkoplingsledning: Type	H07RN-F 3G1,5 mm ²	H05RN-F 3G1,00 mm ²		H07RN-F 3G1,5 mm ²	SJTW-A 3AWG16
Beskyttelsesklasse			I		
Beskyttelsestype			IPX4		
Radiostøydempingsgrad			EN 55014-1		
Støvklasser			L		
Beholdervolum	I (UKgal)		42 (9,2)		
Bredde	mm (in)		385 (15,2)		
Dybde	mm (in)		575 (22,6)		
Høyde	mm (in)		605 (23,8)		
Vekt inkl. tilbehør (netto, mest vanlig applikasjon)	kg (lb)		16,0 (35,3)		

* målt på turbin
 Spesifikasjoner og opplysninger kan endres uten forutgående varsel.

Snabbguide

Manöverelement

- 1 Slangkrok
- 2 Handtag
- 3 Tillbehörens placering
- 4 Hastighetsreglage
- 5 Brytare
- 6 Transporthjul
- 7 Behållare
- 8 Inloppsstos
- 9 Bygel
- 10 Apparatuttag

Titta närmare på snabbguiden

Snabbguiden är utformad för att underlätta uppstart, användning och förvaring av maskinen. Guiden är indelad i fyra underavsnitt som är försedda med symboler:

A



Före uppstart

LÄS BRUKSANVISNINGEN INNAN MASKINEN ANVÄNDS!

- A1** - Packa upp tillbehör
- A2** - Montering av filterpåse
- A3** - Montering av avfallspåse
- A4** - Ansluta slangen och användning
- A5** - Placering av tillbehör
- A6** - Montering av adapterplatta
- A7** - Montering av vagnhandtag

B



Reglage/drift

- B1** - AutoClean filterrengöringssystem
- B2** - Kabel- och slangförvaring

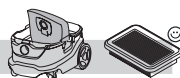
C



Anslutning av el-apparater

- C1** - Förberedelse för el-verktyg

D



Underhåll

- D1** - Byte av filterpåse
- D2** - Byte av avfallspåse
- D3** - Byte av filter
- D4** - Rengöring av motorkylarens luftdiffusorer
- D5** - Rengöring av packningar och flottör

Innehåll

1	Säkerhetsanvisningar	54
1.1	Symboler som används för att markera instruktioner	54
1.2	Bruksanvisning	54
1.3	Användningsändamål och föreskriven användning	54
1.4	Elektrisk anslutning	54
1.5	Förlängningskabel	55
1.6	Garanti	55
1.7	Viktiga varningar	55
2	Risker	56
2.1	El-komponenter	56
2.2	Hälsosamt damm	56
2.3	Reservdelar och tillbehör	56
2.4	I explosiva eller eldfarliga miljöer	56
3	Manövrering/Drift	56
3.1	Starta och använda maskinen	56
3.2	Automatisk On/Off för strömförsörjning till el-verktyg	57
3.3	AutoClean	57
3.4	Antistatisk anslutning ¹⁾	57
3.5	Kylluftfilter	57
3.6	Uppsugning av vätska	58
3.7	Torr-dammsugning	58
4	Efter avslutat arbete	58
4.1	Efter användning	58
4.2	Transport	58
4.3	Förvaring	58
4.4	Förvaring av tillbehör och verktyg	58
4.5	Lämna in maskinen för återvinning	59
5	Underhåll	59
5.1	Regelbunden service och inspektion	59
5.2	Underhåll	59
6	Mer information	59
6.1	EU-försäkran om överensstämmelse	59
6.2	Specifikationer	60

1 Säkerhetsanvisningar



Detta dokument innehåller säkerhetsföreskrifter för den aktuella maskinen, tillsammans med en snabbguide. Läs igenom bruksanvisningen noga innan du startar högtryckstvätten för första gången. Spara instruktionerna för senare bruk.

Mer information

Du hittar mer information om maskinen på vår webbsida www.makita.com.

Är det något du undrar över kan du kontakta den lokala Makita serviceavdelningen.

Se dokumentets baksida.

1.1 Symboler som används för att markera instruktioner

FARA



Fara som kan leda till allvarliga eller permanenta personskador eller dödsolycka.

VARNING



Fara som kan leda till allvarliga personskador eller dödsolycka.

VARNING



Fara som kan leda till smärre person- eller saksador.

1.2 Bruksanvisning

Apparaten får:

- endast användas av personer som har undervisats i dess användning och som uttryckligen fått i uppdrag att använda den
- endast användas under överinseende

Denna apparat är inte avsedd att användas av personer (inklusive barn) med reducerad fysisk, sensorisk eller mental förmåga, eller bristande erfarenhet och kunskap.

Barn bör hållas under uppsikt för att säkerställa att de inte leker med apparaten.

Undvik arbetstekniker som innebär säkerhetsrisker.

Använd aldrig maskinen utan filter.

I följande situationer ska apparaten stängas av och stickkontakten ska dras ur:

- Före rengöring och service
- Före byte av komponenter
- Före byte av omändring av apparaten
- Vid det bildas skum eller om vätska tränger ut

Vid sidan om bruksanvisningen och de obligatoriska bestämmelserna beträffande förebyggande av

olycksfall som gäller i användarlandet, skall vedertagna regler för säker och korrekt användning beaktas.

Innan arbetet inleds måste driftspersonalen informeras om och utbildas inom:

- användning av maskinen
- risker förknippade med materialet som ska sugas upp
- säker bortskaffning av det uppsugna materialet

1.3 Användningsändamål och föreskriven användning

Denna mobila dammsugare är designad, utvecklad och rigoröst testad för bästa funktion och säkerhet, apparaten ska underhållas och användas på rätt sätt, i enlighet med dessa anvisningar.

Denna maskin är lämplig för industriell användning, som t.ex. på fabriker, byggarbetsplatser och verkstäder.

Denna maskin är även lämplig för kommersiellt bruk, t.ex. på hotell, skolor, sjukhus, fabriker, butiker, kontor och uthyrningsföretag.

Olyckor som orsakas av felaktig användning kan endast förhindras av den som använder produkten.

LÄS OCH FÖLJA ALLA SÄKERHETSINSTRUKTIONER.

Maskinen är avsedd för att suga upp torrt, icke lättantändligt damm och vätskor.

Alla annan användning betraktas som felaktig. Tillverkaren åtar sig inget ansvar för skador som uppstår av felaktig användning. Ansvaret för denna typ av fel är helt och hållet användarens. Korrekt användning innebär även korrekt handhavande, underhåll och reparation i enlighet med tillverkarens anvisningar.

Maskinen är avsedd för att suga upp torrt, icke lättantändligt damm och vätskor, farligt damm med OEL-värde (Yrkeshygieniska gränsvärden) > 1 mg/m³. Dammklass L (IEC 60335-2-69).



Filtermaterialet är testat för maskiner som är avsedda för dammklass L. Maximalt genomträngningsvärde är 1 % och det finns inget speciellt krav rörande avfallshantering.

För dammsugare där utloppsluften återförs till rummet ska man säkerställa att luftutväxlingsgraden uppfyller klass L. Före användning ska man säkerställa att nationella bestämmelser uppfylls.

1.4 Elektrisk anslutning

Vi rekommenderar att maskinen ansluts via en jordfelsbrytare.

Håll ordning på alla elektriska delar (uttag, kontakter och kopplingar) och placera förlängningskablar på sådant sätt att skyddsklassen upprätthålls.

El-kablarnas och förlängningskablarnas kontakter och kopplingar måste vara vattentäta.

1.5 Förlängningskabel

Använd endast förlängningskabel av samma klass, eller högre, som tillverkaren rekommenderar.

När man använder förlängningskabel ska man kontrollera att kabelarean är korrekt:

Kabellängd	Kabelarea	
	< 16 A	< 25 A
upp till 20 m	1,5 mm ²	2,5 mm ²
20 till 50 m	2,5 mm ²	4,0 mm ²


1.6 Garanti

För garanti gäller våra allmänna affärsvillkor.

Obehöriga förändringar av apparaten, användning av felaktiga borstar samt användning på annat sätt än vad som anges i bruksanvisningen fritar tillverkaren från allt ansvar rörande uppkomna skador.

1.7 Viktiga varningar

VARNING

 För att minska risken för eldsvåda, el-stötar eller skador ska alla instruktioner och varningar läsas och förstås innan maskinen används. Denna maskin är konstruerad för att vara säker om den används för rengöring i enlighet med anvisningarna. Om elektriska eller mekaniska delar skulle skadas ska maskin och/eller tillbehör repareras av en behörig servicetekniker eller tillverkarens representant, detta för att undvika ytterligare skador på maskinen eller personskador.

Lämna aldrig maskinen utan uppsikt när den är inkopplad. Koppla bort från vägguttaget när den inte används och innan underhåll.

Maskinen får endast sporadiskt användas utomhus.

Om el-kabel/kontakt är skadad får maskinen inte användas. Ta tag i stickkontakten, dra aldrig i nätkabeln. Hantera aldrig kontakt eller maskin med våta/fuktiga händer. Stäng av alla reglage innan maskinen kopplas från.

Dra eller lyft aldrig maskinen med hjälp av kabeln, kabeln får inte användas som handtag, kläm inte kabeln i dörröppningar, dra inte kabeln runt skarpa kanter eller hörn. Kör inte över kabeln med maskinen. Håll kabeln borta från uppvärmda ytor.

Hår, löst sittande kläder, fingrar och alla andra kroppsdelar ska hållas borta från öppningar och rörliga delar. Stick inte in föremål i öppningarna, maskinen får inte användas om öppningarna är igensatta. Maskinens öppnar ska hållas rena från damm, ludd, hår och annat som kan hindra luftflödet.

Maskinen får inte användas utomhus när det är kallt.

Maskinen får inte användas för upptagning av eldfarliga eller brännbara vätskor, som t.ex. bensin, den får inte heller användas där dessa vätskor kan förekomma.

Använd inte maskinen för att ta upp brinnande eller rykande föremål, som t.ex. cigaretter, tändstickor eller het aska.

Var extra uppmärksam vid rengöring av trappor.

Får ej användas utan monterade filter.

Om maskinen inte fungerar på korrekt sätt eller om den tappats, skadats, lämnats utomhus eller fallit i vatten ska den omgående lämnas in för service.

Stäng genast av maskinen om det tränger ut skum eller vätska från den.

Maskinen får inte användas som vattenpump. Maskinen är avsedd för uppsugning av luft och vätskeblandningar.

Anslut maskinen till ett jordat vägguttag. Vägguttag och förlängningskabel ska vara utrustade med skyddskontakt.

Se till att arbetsplatsen är väl ventilerad.

Använd aldrig maskinen som stege eller arbetsplattform. Maskinen kan välta och skadas. Risk för skador.

El-uttaget på maskinen får endast användas till de ändamål som anges i bruksanvisningen.

2 Risker

2.1 El-komponenter


FARA

 Maskinens överdel innehåller strömförande komponenter.

Att röra vid strömförande komponenter kan leda till allvarliga personskador eller i värsta fall dödsolyckor.

1. Spola aldrig av maskinens överdel med vatten.

FARA

 El-stöt orsakat av felaktig strömkabel. Att vidröra en defekt el-kabel kan orsaka allvarliga personskador eller dödsfall.

1. Skada inte el-kabeln (t.ex. genom att köra över, dra i eller klämma sönder den).
2. Kontrollera regelbundet om elkabeln är skadad eller visar tecken på åldrande.
3. Om el-kabeln är skadad måste den bytas ut av Makitas servicerepresentant eller person med motsvarande behörighet för att undvika fara.
4. Under inga omständigheter får el-kabeln lindas runt fingrarna eller annan kroppsdel.

2.2 Hälsosfarligt damm

VARNING

 Farliga material.

Uppsugning av farliga material kan orsaka allvarliga personskador eller i värsta fall dödsolyckor.

1. Följande material får inte sugas upp med maskinen:
 - hett material (t.ex. brinnande cigaretter, het aska etc.)
 - brandfarliga, explosiva, frätande vätskor (t.ex. bensen, lösningsmedel, syror, alkaliska lösningar, etc.)

- brandfarligt, explosivt damm (t.ex. magnesium- eller aluminiumdamm etc.)

2.3 Reservdelar och tillbehör

VARNING

 Reservdelar och tillbehör.


Apparatens säkerhet och funktion kan försämrats om man använder annat än originalreservdelar, borstar och tillbehör.

1. Använd endast reservdelar och tillbehör från Makita. Nedan anges reservdelar som kan påverka operatörens hälsa och säkerhet och/eller maskinens funktion:

Beskrivning	Artikelnr
Plant filter PTFE, 1 st.	W107418351
Dammsugarpåse i fleece, 5 st.	W107418353
Avfallspåse, 5 st.	W107418355
Lufffilter för motorkylning, PET, 1 st.	W107418352


2.4 I explosiva eller eldfarliga miljöer

VARNING

 Denna maskin är inte avsedd att användas i explosiva eller eldfarliga miljöer eller där det är troligt att sådana miljöer kan uppstå, vid t.ex. flyktiga vätskor eller brandfarlig gas eller ånga.

3 Manövrering/Drift

VARNING

 Skador orsakade av felaktig nätspänning.

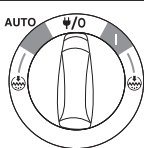



Apparaten kan skadas om den ansluts till ett uttag med felaktig nätspänning.

1. Förvissa dig om att den spänning som är angiven på typskylten överensstämmer med den lokala nätspänningen.

3.1 Starta och använda maskinen

1. Kontrollera att strömbrytaren är i avstängt läge (position 0).
2. Kontrollera att avsedda filter har monterats i maskinen.
3. Anslut sedan sugslangen till suginloppet på maskinen genom att trycka slangen framåt tills den sitter ordentligt fast i inloppet.

- Anslut därefter rören med slanghandtaget, rotera rören för att kontrollera att de sitter ordentligt samman.
- Montera lämpligt munstycke på röret. Välj munstycke efter vilken typ av material som ska sugas upp.
- Vid användning för dammupptagning i kombination med dammproducerande verktyg ska slangänden anslutas med avsedd adapter.
- Anslut kontakten i avsett vägguttag.
- Placera strömbrytaren i läge I för att starta motorn.

	Vrid till I: Aktivera maskinen
	Vrid till I/O: Stäng av maskinen. Permanent strömförsörjning via uttaget
	Vrid till AUTO : Aktivera automatisk On/Off- drift
	Vrid till I +  : Aktivera maskinen med inaktiverad automatisk filterrengöring
Vrid till AUTO +  : Aktivera automatisk On/Off-drift med inaktiverad automatisk filterrengöring.	
	Hastighetsinställningen görs med separat reglage

3.2 Automatisk On/Off för strömförsörjning till el-verktyg

VARNING



Apparatuttag.

Apparatuttaget är avsett för extern elektrisk utrustning, mer information finns under tekniska data.

- Innan apparaten ansluts ska man stänga av maskinen och den apparat som ska anslutas.
- Läs bruksanvisningen noga (för apparaten som ska anslutas) och följ de säkerhetsföreskrifter som finns där.

På maskinen finns ett inbyggt, jordat el-uttag. Här kan ett extra el-verktyg anslutas. Apparatuttaget har konstant strömförsörjning när reglaget är placerat i läge I/O, dvs. maskinen kan användas som förlängningskabel.

I läge AUTO kan maskinen startas och stängas av via det anslutna el-verktyget. Smuts sugas upp direkt från dammkällan. I enlighet med bestämmelserna får endast godkända, dammskapande verktyg anslutas.

I avsnittet "Specifikationer" anges max effektförbrukning för det anslutna el-verktyget.

Innan reglaget vrids till läge AUTO ska du kontrollera att el-verktyget som anslutits via uttaget är avstängt.

3.3 AutoClean

Denna maskin är utrustad AutoClean automatisk filterrengöring. Under drift körs automatiskt en regelbunden rengöringscykel som säkerställer bästa möjliga sugkapacitet.

Om sugkapaciteten sjunker eller vid mycket dammiga arbeten rekommenderas att man utför manuell filterrengöring:

- Stäng av maskinen.
- Täpp till munstyckets eller sugslangens öppning med handflatan.
- Vrid reglaget till läge "I" och kör maskinen i full hastighet i ungefär 10 sekunder, öppningen till sugslangen ska vara stängd.

Om sugkapaciteten fortfarande är försämrad ska man ta ut filtret och rengöra det mekaniskt, alternativt byta filter.

Under vissa arbetsförhållanden, t.ex. uppsugning av vätska, bör man stänga av den automatiska filterrengöringen. Mer information finns i kapitel 3.1.

3.4 Antistatisk anslutning^{*)}

VARNING



Maskinen är utrustad med ett antistatiskt system för att avleda statisk elektricitet som kan uppkomma under dammsugning.

Det antistatiska systemet är placerat i motorns övre främre del och skapar en jordanslutning till behållarens inlopp.

För bästa funktion bör man använda en elektriskt ledande eller antistatisk sugslang.

- Om man använder tillvalet avfallspåse ska man se till att inte bryta den antistatiska kopplingen.

3.5 Kylluftfilter

För att skydda elektroniken och motorn är maskinen utrustad med kylluftsdiffusor. Kylluftsdiffusorn ska rengöras regelbundet.

På platser med mycket damm i luften bör man utrusta maskinen med tillvalet kylluftfilterkassett för att förhindra att damm tränger in i dammkanalerna och in i motorn. Kontakta din lokala säljare.

VARNING

Om kyl Luftfiltret sätts igen med damm kan överbelastningsskyddet i motorn lösa ut.

1. I sådant fall ska man stänga av maskinen, rengöra kyl Luftfiltret och låta maskinen svalna i ungefär 5 minuter.

3.6 Uppsugning av vätska**VARNING**

Maskinen är utrustad med vätskenivåmätare som stänger av luftflödet när maximal vätskenivå har uppnåtts.

1. Om detta inträffar ska man stänga av maskinen.
2. Koppla bort maskinen från vägguttaget och töm behållaren.
3. Sug aldrig upp vätska utan monterat vätskenivåsystem och filter.
4. Sug inte upp lättantändliga vätskor.
5. Innan du suger upp vätska ska du ta bort filterpåsen och kontrollera att vattennivåmätaren fungerar ordentligt.
6. Vid skumbildning ska arbetet omedelbart avslutas och behållaren tömmas.
7. Rengör vattennivåregulatorn regelbundet och kontrollera om det finns tecken på skador.

Innan behållaren töms ska maskinen kopplas bort från vägguttaget. Koppla från slangen från insuget genom att dra slangen utåt. Lossa bygeln genom att dra i den nedre delen utåt, så att motorns överdel frigörs. Lyft upp motorlocket från behållaren. Behållaren och vätskenivåmätare ska alltid tömmas och rengöras efter uppsugning av vätska.

Töm behållaren genom att luta den bakåt eller åt sidan och håll ut vätskan i ett golvvlopp eller liknande.

Sätt tillbaka motors övre del på behållaren. Spärra motorns lock med byglarna.

Häftiga rörelser kan av misstag utlösa vätskenivåmätaren. Om detta skulle inträffa ska maskinen stängas av och vänta tre sekunder tills enheten återställts. Därefter kan maskinen användas igen.

3.7 Torr-dammsugning**VARNING**

Uppsugning av miljöfarliga material.

Uppsugget material kan utgöra en miljöfara.

1. Avyttra avfallet i enlighet med gällande bestämmelser.

Ta ur stickkontakten från vägguttaget innan du tömmer efter torr-dammsugning. Lossa bygeln genom att dra i den nedre delen utåt, så att motorns överdel frigörs. Lyft upp motorlocket från behållaren.

Filter: Kontrollera filtren. Filtret kan göras rent genom att man skakar det, borstar det eller tvättar det. Vänta tills filtret är torrt innan dammsugningen återupptas.

Dammsugarpåse: kontrollera påsen för att se hur full den är. Byt dammsugarpåse vid behov. Ta ur den gamla påsen. Den nya påsen monteras genom att trycka pappskivan med gummimembran genom dammsugarens inlopp. Se till att gummimembranet passerar förbi dammsugarinloppets förhöjning.

Efter tömning: stäng motorlocket mot behållaren och spärra locket med byglarna. Vid uppsugning av torrt material ska maskinen alltid vara utrustad med filter och dammsugarpåse. Maskinens effektivitet beror på filtrets och dammsugarpåsens kvalitet och storlek. Använd därför endast originaldammsugarpåse och -filter.

4 Efter avslutat arbete**4.1 Efter användning**

Ta ur stickkontakten från vägguttaget när maskinen inte ska användas. Linda upp kabeln, börja inne vid maskinen. El-kabeln kan lindas upp runt motordelen eller på behållaren eller placeras på den tillhörande kroken/fästannordning. Vissa modeller har en speciell förvaringsplats för tillbehör.

4.2 Transport

1. Stäng alla hakar innan maskinen ska transporteras.
2. Stäng inloppet med hjälp av inloppslocket.
3. Luta inte maskinen om det finns vätska i behållaren.
4. Använd inte krankrok för att lyfta maskinen.
5. Lyft inte maskinen i vagnhandtaget^{*)} eller i handtaget på MAKPAC-Box^{*)}.

4.3 Förvaring**VARNING**

Förvara dammsugaren på en torr, frostskyddad plats. Denna maskin får endast förvaras inomhus.

4.4 Förvaring av tillbehör och verktyg

På sidan av maskinen finns inbyggda spår som gör det enklare att transportera och förvara tillbehör eller verktyg, som enkelt kan spännas fast med remmar eller liknande. På maskinens baksida finns en flexi-

bel rem och krokar för upphängning av sugslang och strömkabel. Anvisningarna finns i "Snabbguide".

En extra adapterplatta^{*)} med fästsystem kan monteras upp på maskinen, för fästsättning av förvaringslådor med 2 eller 4 fästpunkter.

Ta ur kontakten från vägguttaget innan adapterplattan monteras.

WARNING^{*)}



Lift inte maskinen i adapterplattan utan att förvaringslådan monterats på rätt sätt. För bästa förvaring ska man kontrollera maskinens vikt och balans. Maximalt tillåtna vikt på förvaringslådor är 30 kg.

4.5 lämna in maskinen för återvinning

Den uttjänta maskinen ska göras oanvändbar.

1. Koppla från maskinen.
2. Kapa el-kabeln.
3. Elektriska apparater får aldrig kastas tillsammans med hushållsavfall.



Enligt EU-direktiv 2012/19/EC om gamla elektriska och elektroniska produkter, måste uttjänta elektriska produkter inlämnas separat och återvinnas på ett miljövänligt sätt.

5 Underhåll

5.1 Regelbunden service och inspektion

En behörig servicetekniker ska regelbundet serva och kontrollera maskinen, i enlighet med gällande lagar och bestämmelser. Speciellt ska man regelbundet kontrollera maskinens elektriska kopplingar, att jordning, isolering och kabel är intakt.

Om defekter påträffas SKA maskinen tas ur drift, därefter ska en behörig servicetekniker kontrollera maskinen och åtgärda eventuella fel.

Minst en gång om året måste en Makita-tekniker eller en instruerad person utföra en teknisk inspektion som inkluderar filter, lufttäthets- och styrmekanismer.

5.2 Underhåll

Ta bort kontakten från vägguttaget innan underhåll påbörjas. Innan maskinen används ska man kontrollera att frekvens och spänning som anges på märkplåten motsvarar nätspänningen.

Maskinen är konstruerad för långvarigt, tungt arbete. Det är antalet drifttimmar som styr när dammfilter ska ersättas. Håll maskinen ren med en torr trasa och små mängder sprayrengöring.

Vid underhåll och rengöring ska maskinen hanteras på sådant sätt att det inte föreligger risk för underhållspersonal eller andra personer.

På underhållsplatsen

- Använd obligatoriskt filtrerad ventilation
- Använd skyddskläder
- Rengör underhållsplatsen så att skadliga ämnen inte kan komma ut i miljön

Förorenade delar som inte kan rengöras på rätt sätt vid underhåll och reparation ska:

- Packas in ordentligt i tätslutande påsar
- Avfallshanteras i enlighet med bestämmelserna för det aktuella avfallet

Kontakta återförsäljaren eller den lokala Makita-representanten för information om serviceverkstäder. Se dokumentets baksida.

6 Mer information

6.1 EU-försäkran om överensstämmelse

Härmed försäkras vi att nedanstående betecknade maskin i ändamål och konstruktion samt i den av oss levererade versionen motsvarar EU-direktivens tillämpliga grundläggande säkerhets- och hälsokrav. Vid ändringar på maskinen som inte har godkänts av oss blir denna överensstämmelseförklaring ogiltig.

Produkt: Dammsugare för våt och torr användning
Typ: VC4210L

Tillämpliga EU-direktiv:
2006/42/EG, 2014/30/EU, 2011/65/EU

Tillämpade harmoniserade normer:
EN 60335-1:2012+A11:2014
EN 60335-2-69:2012
EN 55014-1:2006+A1:2009+A2:2011
EN 55014-2:1997+A1:2001+A2:2008
EN 61000-3-2:2014
EN 61000-3-3:2013
EN 50581:2012

Dokumentationsbefullmäktigad:
Makita Europe N.V., Jan-Baptist Vinkstraat 2,
3070 Kortenberg, Belgium

02.01.2017

Yasushi Fukaya, Director
Makita Europe N.V., Jan-Baptist Vinkstraat 2,
3070 Kortenberg, Belgium

6.2 Specifikationer

Makita VC4210L						
	EU / FR / RU	AU / NZ	CH	GB	CA / US / MX	
Nätspänning	220-240	220-240	220-240	220-240	110-120	
Nätfrekvens		50/60			50/60	
Anslutningseffekt		1200			890 / 7,4 A	
Anslutningsvärde för apparatuttag	2400	1100	1100	1700	550 / 4,6 A	
Anslutningseffekt	3600	2300	2300	2900	1440 / 12 A	
Nätsäkring	16	10		13	15	
Lufflöde max. ¹⁾		4500 (270)			4200 (252)	
Undertryck		250 (250)			230 (230)	
Ljudtrycksnivå på måtyta (IEC 60335-2-69)			62 ±2			
Ljudnivå vid arbete			60 ±2			
Hand-arm vibrationer			<2,5			
Nätanslutningskabel: Längd			7,5			
Nätanslutningskabel: Typ	H07RN-F 3G1,5 mm ²	H05RN-F 3G1,00 mm ²		H07RN-F 3G1,5 mm ²	SJTW-A 3AWG16	
Skyddsklass			I			
Kapslingsklass			IPX4			
Avstörningsgrad			EN 55014-1			
Dammklass			L			
Behållarens volym			42 (9,2)			
Bredd			385 (15,2)			
Djup			575 (22,6)			
Höjd			605 (23,8)			
Vikt inkl. tillbehör (netto, vanligaste användningsområdet)			16,0 (35,3)			

* uppmätt vid turbinen
Specifikationer och information kan ändras utan föregående meddelande.

Pikaopas

Osat

- 1 Letkukoukku
- 2 Kädensija
- 3 Lisävarusteiden paikat
- 4 Nopeuden säätäminen
- 5 Kytkin
- 6 Pyörä
- 7 Säiliö
- 8 Liitäntä
- 9 Salpa
- 10 Pistorasia

Kuvitettu pikaopas

Kuvitetusta pikaoppaasta on apua, kun laite käynnistetään, sitä käytetään ja se asetetaan säilytykseen. Ohje on jaettu neljään symboleilla merkittyyn osaan:

A



Ennen käynnistämistä

LUE KÄYTTÖOHJEET ENNEN KÄYTTÄMISTÄ!

- A1** - Lisävarusteiden purkaminen pakkauksesta
- A2** - Suodatinpussin asentaminen
- A3** - Kertakäyttöpussin asentaminen
- A4** - Letkun kiinnittäminen ja käyttäminen
- A5** - Lisävarusteiden paikat
- A6** - Sovitinlevyn asentaminen
- A7** - Vetoaisan asentaminen

B



Ohjaaminen ja käyttäminen

- B1** - AutoClean-suodattimen puhdistusjärjestelmä
- B2** - Johdon ja letkun säilyttäminen

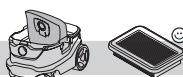
C



Sähkölaitteiden yhdistäminen

- C1** - Käyttäminen sähkötyökalun yhteydessä

D



Hoito

- D1** - Suodatinpussin vaihtaminen
- D2** - Kertakäyttöpussin vaihtaminen
- D3** - Suodattimen vaihtaminen
- D4** - Moottorin jäähdytys - ilmastimen puhdistaminen
- D5** - Tiivisteiden ja kohon puhdistaminen

Sisältö

1	Turvallisuusohjeet	70
1.1	Ohjeissa käytetyt symbolit.....	70
1.2	Käyttöohjeet	70
1.3	Käyttötarkoitus	70
1.4	Sähköliitäntä.....	70
1.5	Jatkojohto	70
1.6	Takuu.....	71
1.7	Tärkeät varoitukset.....	71
2	Vaarat	72
2.1	Sähköosat	72
2.2	Vaarallinen pöly	72
2.3	Varaosat ja lisävarusteet	72
2.4	Mahdollisesti räjähdysherkkä tai syttyvä kaasuseos	72
3	Hallinta ja käyttäminen	72
3.1	Laitteen käynnistäminen ja käyttäminen	72
3.2	Automaattisesti käynnistävä ja sammuttava pistorasia sähkötyökaluille	73
3.3	AutoClean	73
3.4	Antistaattinen kytkentä ¹⁾	73
3.5	Jäähdytysilmasuodatin	73
3.6	Märkäimurointi.....	74
3.7	Kuivaimurointi.....	74
4	Laitteen käyttämisen jälkeen	74
4.1	Käytön jälkeen.....	74
4.2	Kuljettaminen	74
4.3	Säilytys	74
4.4	Lisävarusteiden ja työkalujen säilytyspaikka	74
4.5	Laitteen kierrättäminen.....	75
5	Hoito	75
5.1	Säännöllinen huolto ja tarkastaminen	75
5.2	Hoito.....	75
6	Lisätietoja	75
6.1	EU-vaatimustenmukaisuusvakuutus	75
6.2	Tekniset tiedot	76

¹⁾ valinnaisia lisävarusteita / mallikohtainen varuste, Tämä on alkuperäisen käyttöohjeen käännös

1 Turvallisuusohjeet



Tämä asiakirja sisältää tärkeitä tietoja laitteesta ja pikaohjeen. Lue tämä käyttöohje perusteellisesti ennen laitteen käynnistämistä ensimmäistä kertaa. Säilytä nämä ohjeet myöhempää käyttöä varten.

Tuki

Laitteesta on lisätietoja verkkosivuillamme osoitteessa www.makita.com.

Saat lisätietoja maassasi toimivasta Makita-huolto-korjaamosta.

Lisätietoja on tämän asiakirjan lopussa.

1.1 Ohjeissa käytetyt symbolit

VAARA



Vakavan tai pysyvän loukkaantumisen tai hengenvaaran aiheuttava vaara.

VAROITUS



Vakavan loukkaantumisen tai hengenvaaran aiheuttava vaara.

HUOMAUTUS



Lievän loukkaantumisen tai vaurion aiheuttava vaara.

1.2 Käyttöohjeet

Tätä laitetta

- saavat käyttää vain sen käyttökoulutuksen saaneet ja sen käyttämiseen perehtyneet henkilöt
- saa käyttää vain valvotusti.

Laitetta ei ole tarkoitettu sellaisten henkilöiden (mukaan lukien lasten) käyttöön, joiden aisteissa tai fyysisissä tai henkisissä kyvyissä on puutteita tai joiden kokemus ja tietämys eivät riitä laitteen käyttöön.

Lapsia tulee valvoa, jotta he eivät leiki laitteella.

Älä käytä vaarallisia työskentelymenetelmiä.

Laitetta ei saa koskaan käyttää ilman suodatinta.

Katkaise virta ja irrota pistoke pistorasiasta

- ennen puhdistamista ja huoltoa
- ennen osien vaihtamista
- ennen lisälaitteen vaihtamista
- jos muodostuu vaahtoa tai laitteesta vuotaa nestettä.

Käyttöohjeiden ja työturvallisuusmääräysten lisäksi on noudatettava yleisiä turvallisuusmääräyksiä.

Käyttäjille on annettava seuraavat tiedot ja koulutus ennen käyttämisen aloittamista:

- laitteen käyttäminen

- kerättävään materiaaliin liittyvät vaarat
- kerätyn materiaalin turvallinen hävittäminen.

1.3 Käyttötarkoitus

Tämä siirrettävä pölynkeräin on suunniteltu, kehitetty ja testattu huolellisesti, jotta se toimii tehokkaasti ja turvallisesti, kun se pidetään kunnossa ja sitä käytetään seuraavia ohjeita noudattaen.

Tämä laite on tarkoitettu ammattikäyttöön esimerkiksi sairaaloissa, kouluissa, hotelleissa, tehtaissa, myymälöissä ja toimistoissa sekä vuokrattavaksi.

Tämä laite sopii myös teolliseen käyttöön, kuten tuotantolaitoksissa, rakennustyömailla ja työpajoissa.

Vain laitteen käyttäjät voivat estää väärinkäytön aiheuttamat onnettomuudet.

LUE KAIKKI TURVALLISUUSOHJEET JA NOUDATA NIITÄ.

Laite on tarkoitettu vain kuivan syttymättömän pölyn ja nesteiden imurointiin.

Muunlainen käyttäminen on kielletty. Valmistaja ei vastaa virheellisen käyttämisen aiheuttamista vahingoista. Käyttäjä on vastuussa virheellisen käyttämisen seurauksista. Lisäksi oikea käyttäminen edellyttää huoltamista ja korjaamista valmistajan ohjeita noudattaen.

Laitteella saa imuroida vain kuivaa syttymätöntä pölyä ja nesteitä sekä vaarallisia pölyjä, joiden OEL-arvo (työpaikkasäteilytyksen raja) on $> 1 \text{ mg/m}^3$. Pölyluokka L (IEC 60335-2-69).



Pölyluokalle L tarkoitettujen koneiden suodatinmateriaali on testattu. Läpäisevyys saa olla enintään 1 % eikä hävittämiseen liity erityisvaatimuksia.

Pölynkeräimissä on varmistettava riittävä ilmanvaihtomäärä L, kun poistoilma palautetaan huoneeseen. Paikalliset säädökset on otettava huomioon ennen käyttöä.

1.4 Sähköliitäntä

Laitekytkennässä kannattaa käyttää vikavirtakytkintä.

Aseta sähköiset osat (kiinnikkeet, pistokkeet ja liitokset) paikoilleen. Jatkojohto on valittava siten, että suojausluokka säilyy.

Virtajohdon ja jatkojohtojen liitäntöjen tulee olla veistiiviitä.

1.5 Jatkojohto

Käytä jatkojohtona vain valmistajan vaatimukset täyttävää tai ylittävää jatkojohtoa.

Jos yhdistät tämän laitteen verkkovirtaan jatkojohdon avulla, tarkista sen johtimien poikkipinta-ala:

Johdon pituus	Poikkipinta-ala	
	< 16 A	< 25 A
Enintään 20 m	1,5 mm ²	2,5 mm ²
20 - 50 metriä	2,5 mm ²	4,0 mm ²


1.6 Takuu

Takuuseen sovelletaan yleisiä liiketoimintaperiaatteitamme.

Valmistaja ei vastaa vahingoista, jos laitteeseen on tehty luvattomia muutoksia, jos siinä on käytetty virheellisiä harjoja tai jos sitä on käytetty käyttötarkoituksen vastaisesti.

1.7 Tärkeät varoitukset

VAROITUS

 Voit vähentää tulipalon, sähköiskun ja loukkaantumisen vaaraa lukemalla kaikki turvallisuusohjeet ja varoitusmerkinät ennen käyttämistä sekä noudattamalla niitä. Tämä laite on turvallinen, kun sitä käytetään siivoamiseen ohjeissa kuvatulla tavalla. Jos sähköisiä tai mekaanisia osia vaurioituu, laite ja/tai lisävaruste on korjattava valtuutetussa huoltokorjaamossa tai valmistajalla ennen sen käyttämistä, jotta laite ei vaurioidu enempää eikä käyttäjä loukkaannu.

Laitetta ei saa jättää ilman valvontaa, kun sen pistoke on pistorasiassa. Irrota pistoke pistorasiasta, kun laite ei ole käytössä tai ennen sen kunnossapitoa.

Laitetta saa käyttää ulkona vain satunnaisesti.

Älä käytä laitetta, jos sen virtajohto tai pistoke on vaurioitunut. Vedä aina pistokkeesta, älä johdosta. Laitetta tai pistoketta ei saa käsitellä märin käsin. Poista kaikki toiminnot käytöstä ennen pistokkeen irrottamista pistorasiasta.

Laitetta ei saa vetää eikä kantaa verkkojohdosta. Verkkojohtoa ei saa käyttää kahvana. Verkkojohtoa ei saa jättää oven väliin. Verkkojohtoa ei saa vetää terävien kulmien yli. Laitetta ei saa vetää sen verkkojohdon yli. Varo, ettei johto joudu kosketukseen kuumien pintojen kanssa.

Pidä sormet, hiukset, löysät vaatteet ja kaikki kehon osat kaukana aukoista ja liikkuvista osista. Aukkoihin ei saa työntää mitään. Laitetta ei saa käyttää, jos jokin sen aukoista on tukossa. Pidä aukot puhtaana pölystä, nukasta ja karvoista ja kaikesta ilman virtausta haittaavasta.

Laitetta ei saa käyttää ulkona kylmässä.

Laitteella ei saa imuroida syttyviä nesteitä, kuten bensiiniä. Laitetta ei saa käyttää tällaisten nesteiden lähellä.

Laitteella ei saa imuroida mitään savuavaa tai palavaa, kuten savukkeiden natsoja, tilitikkua tai kuumaa tuhkaa.

Ole erityisen varovainen imuroidessasi portaita.

Älä käytä laitetta, jos suodattimet eivät ole paikallaan.

Jos laitteessa on toimintahäiriö, jos se on pudonnut tai vahingoittunut, jos se on jätetty ulos tai jos se on pudonnut veteen, toimita se huoltoon huoltokorjaamolle tai jälleenmyyjälle.

Jos laitteesta vuotaa vaahtoa tai nestettä, katkaise virta heti.

Laitetta ei saa käyttää vesipumppuna. Laite on suunniteltu ilman ja veden seosten imurointiin.

Yhdistä laite maadoitettuun pistorasiaan. Pistorasiassa ja jatkojohdossa on oltava riittävä suojaus.

Työskentelypaikassa on oltava hyvä ilmanvaihto.

Laitteen päällä ei saa seisoa. Tällöin laite voi kaatua ja vaurioitua. Tapaturman vaara.

Laitteen pistorasiaa saa käyttää vain käyttöohjeessa kuvatulla tavalla.

2 Vaarat

2.1 Sähköosat

VAARA



Laitteen yläosa sisältää jännitteisiä osia.

Niihin koskettaminen aiheuttaa vakavia vammoja tai hengenvaaran.

1. Laitteen yläosaan ei saa koskaan ruis-
kuttaa vettä.

VAARA



Viallinen sähköjohto aiheuttaa sähköiskun vaaran.

Siihen koskettaminen voi aiheuttaa vakavia vammoja tai hengenvaaran.

1. Älä vaurioita virtajohtoa esimerkiksi ajamalla sen yli tai vetämällä tai murskaamalla sitä.
2. Tarkista säännöllisesti, ettei sähköjohto ole kulunut tai vahingoittunut.
3. Jos virtajohto on vaurioitunut, se on vaaran välttämiseksi vaihdettava Makitain valtuuttamassa huoltokorjaamossa tai valtuutetulla ammattilaisella.
4. Virtajohtoa ei saa kiertää sormen tai muun kehonosan ympärille.

2.2 Vaarallinen pöly

VAROITUS



Vaaralliset aineet

Vaarallisten aineiden imuroiminen voi aiheuttaa vakavia vammoja tai hengenvaaran.

1. Koneella ei saa imuroida seuraavia aineita:
 - Kuumat aineet, kuten palavat savukeet tai kuuma tuhka
 - Syttyvät, räjähtävät tai syövyttävät nesteet, kuten bensiini, liuottimet, hapot tai emäkset
 - Syttyvä tai räjähtävä pöly, kuten magnesium- tai alumiinipöly

2.3 Varaosat ja lisävarusteet

HUOMAUTUS

Varaosat ja lisävarusteet

Muiden kuin alkuperäisten varaosien, harjojen ja lisävarusteiden käyttäminen voi heikentää laitteen turvallisuutta ja/tai toimintaa.

1. Käytä vain Makitain varaosia ja lisävarusteita. Seuraavat varaosat voivat vaikuttaa käyttäjän turvallisuuteen ja/tai laitteen toimintaan:

Kuvaus	Tilausnro
Litettä suodatin PTFE, 1 kpl.	W107418351
Fleecesuodatinpussi, 5 kpl.	W107418353
Kertakäyttöpusi, 5 kpl.	W107418355
Moottorin jäähdytysilmansuodatin PET, 1 kpl.	W107418352

2.4 Mahdollisesti räjähdysherkkä tai syttyvä kaasuseos

HUOMAUTUS



Tämä laite ei sovellu käytettäväksi räjähdysherkässä tai syttyvässä ympäristössä tai jos haihtuvat nesteet tai syttyvät kaasut tai höyryt aiheuttavat räjähtämisen tai syttymisen vaaran.

3 Hallinta ja käyttäminen

HUOMAUTUS



Vaurioituminen yhteensopimattoman verkkovirran vuoksi.

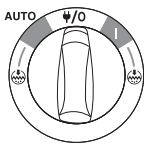



Tämä laite voi vaurioitua, jos se yhdistetään yhteensopimattomaan verkkovirtaan.

1. Varmista, että jännite vastaa laitteen tyyppikilvessä näkyvää merkintää.

3.1 Laitteen käynnistäminen ja käyttäminen

1. Tarkista, että virtakytkin on pois (0) -asennossa.
2. Tarkista, että laitteeseen on asennettu sopivat suodattimet.
3. Yhdistä imuletku sitten sille tarkoitettuun liitäntään painamalla se kunnolla paikalleen.
4. Yhdistä putket letkun kahvaan. Kääntelee putkia, jotta ne asettuvat kunnolla paikoilleen.
5. Yhdistä putkeen suutin. Valitse suutin imuroitavan materiaalin tyyppin mukaan.
6. Jos konetta käytetään pölyn keräämiseen pölyä tuottavasta koneesta, liitä imuletkun päähän asianmukainen sovitin.
7. Työnnä virtapistoke toimivaan pistorasiaan.

8. Käynnistä moottori asettamalla virtakytkin asentoon 1.

	<p>Käännä I: Laitte käynnistyy</p>
	<p>Käännä I/O: Laitte pysähtyy. Jatkuva virransyöttö pistorasiassa</p>
	<p>Käännä AUTO: Automaattinen käynnistys/pysäytys tulee käyttöön</p>
	<p>Käännä I+ : Käynnistä laite: laitteen automaattinensuodattimen puhdistustoiminto on poistettu käytöstä</p>
<p>Käännä AUTO+ : Laitteen automaattinen käynnistys ja pysäytys on käytössä sekä automaattinen suodattimen puhdistustoiminto on poistettu käytöstä</p>	
	<p>Nopeutta säädetään erillisellä kääntönupilla</p>

3.2 Automaattisesti käynnistävä ja sammuttava pistorasia sähkötyökaluille

HUOMAUTUS



Liitäntä lisävarustetta varten.

Lisävarustepistorasia on suunniteltu sähkölaitteille. Lisätietoja on teknisissä tiedoissa.

- Katkaise virta laitteesta ja yhdistettävästä varusteesta ennen varusteen yhdistämistä liitäntään.
- Lue yhdistettävän laitteen käyttöopas ja ota turvallisuusohjeet huomioon.

Laitteessa on maadoitettu pistorasia. Siihen voidaan yhdistää ulkoinen sähkötyökalu. Pistorasiassa on aina virta^{*)}, kun virtakytkin on asennossa I/O. Laitetta voi siis käyttää jatkojohtona.

Asennossa AUTO laitteen voi käynnistää ja pysäyttää siihen yhdistetyn sähkötyökalun avulla. Tällöin pöly ja lika imuroidaan talteen heti kun niitä alkaa muodostua. Määräysten noudattaminen edellyttää, että imuriin yhdistetään vain hyväksytyjä pölyä muodostavia laitteita.

Yhdistetyn sähkölaitteen suurin sallittu virrankulutus on ilmoitettu Tekniset tiedot -osassa.

Ennen kytkimen siirtämistä asentoon AUTO varmista, että laitteen pistorasiaan kytketystä työkalusta on katkaistu virta.

3.3 AutoClean

Laitteessa on automaattinen suodattimen puhdistusjärjestelmä (AutoClean). Laitte puhdistaa suodatinta säännöllisesti, jotta imuteho pysyy aina mahdollisimman hyvänä.

Jos imuteho heikkenee tai käyttökohteessa on runsaasti pölyä, suodatin kannattaa puhdistaa käsin:

- Sammuta laite.
- Sulje suutin tai imuletku kämmenellä.
- Käännä kytkin I-asentoon ja anna laitteen toimia täydellä teholla noin 10 sekuntia imuletkun aukko suljettuna.

Jos imuteho on edelleen huono, irrota suodatin ja puhdista se mekaanisesti tai vaihda se uuteen.

Märkäimuroinnin tapaisissa käyttökohteissa automaattinen suodattimen puhdistustoiminto kannattaa poistaa käytöstä. Lisätietoja on luvussa 3.1.

3.4 Antistaattinen kytkentä^{*)}

HUOMAUTUS

Laitteessa on antistaattinen järjestelmä, joka purkaa pölyä imuroitaessa mahdollisesti muodostuvan staattisen sähkövarauksen.

Antistaattinen järjestelmä on moottorikannen etuosassa. Se muodostaa maayhteyden säiliön liitäntään.

Jotta toiminto toimisi varmasti, laitteessa kannattaa käyttää sähköä johtavaa tai antistaattista imuletkua.

- Kun lisävarusteena saatava kertakäyttöpussi asetetaan paikalleen, se ei saa häiritä antistaattisen yhteyden toimintaa.

3.5 Jäähdytysilmasuodatin

Laitteessa on jäähdytysilmastin elektroniikan ja moottorin suojana. Puhdista jäähdytysilmastin säännöllisesti.

Mikäli alueella on ilmassa runsaasti hienojakoista pölyä, laitteeseen kannattaa asentaa lisävarusteena saatava jäähdytysilmasuodatin, jotta ilmanaviini ja moottoriin ei pääse pölyä. Kysy asiasta paikalliselta jälleenmyyjältä.

HUOMAUTUS



Jos pöly tukkii jäähdytysilmasuodattimen, moottorin ylikuormitussuojakytkin saattaa laueta.

- Jos näin käy, sammuta laite ja anna sen jäähtyä noin 5 minuuttia.

^{*)} valinnaisia lisävarusteita / mallikohtainen varuste, Tämä on alkuperäisen käyttöohjeen käännös

3.6 Märkäimurointi

HUOMAUTUS



Laitteessa on vedenpinnan korkeusrajoitin, joka sammuttaa laitteen läpi, kun vedenpinta nousee maksimikorkeuteen.

1. Jos näin käy, sammuta laitteesta virta.
2. Irrota laite pistorasiasta ja tyhjennä säiliö.
3. Laitteella ei saa imuroida nestettä, jos vedenpinnan korkeusrajoitin ja suodatin eivät ole paikallaan.
4. Älä imuroi syttyviä nesteitä.
5. Ennen nesteiden imuroimista poista pölypussi ja varmista, että koho tai vedenpinnan korkeusrajoitin toimii oikein.
6. Jos muodostuu vaahtoa, lopeta käyttäminen heti ja tyhjennä säiliö.
7. Tarkista säännöllisesti, että vedenpinnan korkeusrajoittimessa ei ole vaurioita.

Irrota laitteen pistoke pistorasiasta ennen säiliön tyhjentämistä. Irrota letku vetämällä. Vapauta salpa vetämällä ulospäin, jotta moottorin kansi vapautuu. Nosta moottorin kansi säiliöstä. Tyhjennä ja puhdista säiliö sekä vedenpinnan korkeusrajoitin aina märkäimuroinnin jälkeen.

Tyhjennä säiliö kallistamalla sitä taaksepäin tai sivulle. Kaada neste esimerkiksi viemäriin.

Aseta moottorin kansi takaisin paikalleen. Kiinnitä moottorin yläosa salvoilla.

Rajut liikkeet voivat laukaista vedenpinnan korkeusrajoittimen virheellisesti. Jos näin käy, sammuta laite ja odota 3 sekuntia, jotta laite nollautuu. Jatka laitteen käyttämistä sen jälkeen.

3.7 Kuivaimurointi

HUOMAUTUS



Vaarallisten aineiden imuroiminen

Imuroidut aineet voivat saastuttaa ympäristöä.

1. Hävitä jäte voimassa olevien määräysten mukaisesti.

Irrota pistoke pistorasiasta ennen tyhjentämistä kuivaimuroinnin jälkeen. Vapauta salpa vetämällä ulospäin, jotta moottorin kansi vapautuu. Nosta moottorin kansi säiliöstä.

Suodatin: Tarkista suodattimet. Puhdista suodatin ravistelemalla, harjaamalla tai pesemällä se. Jatka pölyn keräämistä vasta, kun suodatin on kuiva.

Pölypussi: Tarkista, onko pölypussi täynnä. Vaihda pölypussi tarvittaessa. Poista vanha pölypussi. Aseta uusi pölypussi paikalleen työntämällä kumikalvolla varustettu kartonginpala pölynimurin aukkoon. Var-

mista, että kumikalvo menee pölynimurin sisäänmenon korokkeen ohi.

Tyhjentämisen jälkeen: kiinnitä moottorin kansi säiliöön ja varmista liitos salvoilla. Älä kuivaimuroi, jos suodatin ei ole paikoillaan. Laitteen imuteho vaihtelee suodattimen ja pölypussin koon ja laadun mukaan. Käytä siksi vain alkuperäisiä suodattimia ja pölypusseja.

4 Laitteen käyttämisen jälkeen

4.1 Käytön jälkeen

Irrota pistoke sähköpistorasiasta, kun laitetta ei käytetä. Kelaa johto aloittaen pölynimurin päästä. Virtajohto voidaan kelata moottorin kanteen, säiliön ympärille tai asettaa mukana toimitettuun koukkuun tai kiinnikkeisiin. Tietyissä malleissa on erityiset säilytyspaikat lisävarusteita varten.

4.2 Kuljettaminen

1. Sulje kaikki salvat ennen laitteen siirtämistä.
2. Jos likasäiliössä on nestettä, älä kallista laitetta.
3. Älä nosta laitetta nosturin koukun avulla.
4. Älä nosta kone vaunun kahvassa^{*)} tai kahva MAKPAC-Box^{*)}.

4.3 Säilytys

HUOMAUTUS



Säilytä laitetta kuivassa paikassa suojattuna sateelta ja jäätymiseltä. Tätä laitetta saa säilyttää vain sisätiloissa.

4.4 Lisävarusteiden ja työkalujen säilytyspaikka

Laitteen sivuilla on kiskot, joihin lisävarusteet tai työkalut voi kiinnittää esimerkiksi hihnoilla siirtämistä ja säilytystä varten. Laitteen takana on joustava hihna ja koukkuja imuletkun tai virtajohdon kiinnittämistä varten. Ohjeet ovat pikaoppaassa.

Laitteen päälle voi asentaa lisävarusteena saatavan sovitinlevyn^{*)}, johon voi kiinnittää 2- tai 4-pistesäilytyslaatikoita.

Irrota pistoke pistorasiasta ennen sovitinlevyn asentamista.

HUOMAUTUS^{*)}



Älä nosta laitetta, kun sovitinlevyyn ei ole asennettu säilytyslaatikkoa. Huomioi laitteen paino ja tasapaino käytettäessä säilytyslaatikkoa. Säilytyslaatikoiden enimmäispaino on 30 kg.

4.5 Laitteen kierrättäminen

Tee käytöstä poistettu laite käyttökelpottomaksi.

1. Irrota pistoke pistorasiasta.
2. Katkaise virtajohto.
3. Älä hävitä sähkölaitteita kotitalousjätteenä.



Sähkö- ja elektroniikkalaiteromusta annetun direktiivin 2012/19/EU mukaan sähkö- ja elektroniikkalaitteet on kerättävä erikseen ja kierrätettävä ympäristöä säästävällä tavalla.

5 Hoito

5.1 Säännöllinen huolto ja tarkastaminen

Pätevän henkilöstön on huollettava ja tarkastettava laite säännöllisesti voimassaolevaa lainsäädäntöä ja määräyksiä noudattaen. Varsinkin maadoitus, sähköeristys ja virtajohdon kunto on tarkastettava säännöllisesti.

Jos ilmaantuu vika, laite ON POISTETTAVA käytöstä. Valtuutetun huoltoteknikon on tarkistettava se perusteellisesti ja korjattava se.

Makitain asentajan tai koulutetun henkilön on vähintään kerran vuodessa tehtävä tekninen tarkastus, jossa tarkastetaan suodattimet, ilmatiiviyys ja hallintamekanismit.

5.2 Hoito

Irrota pistoke pistorasiasta ennen hoidon aloittamista. Tarkista ennen laitteen käynnistämistä, että verkkovirran taajuus ja jännite vastaavat laitteen tyyppikilvessä näkyviä merkintöjä.

Laite on tarkoitettu jatkuvaan raskaaseen käyttöön. Pölysuodatin on vaihdettava käyttötuntimäärän mukaan. Puhdista laite kuivalla liinalla ja pienellä määrällä suihkutettavaa puhdistusainetta.

Hoidon ja puhdistamisen aikana laitetta on käsiteltävä siten, että huoltohenkilöstölle tai muille ei aiheudu vaaraa.

Hoitoalueella:

- Käytä suodattimella varustettua ilmanvaihtoa.
- Käytä suojavaatetusta.
- Puhdista hoitoalue, jotta ympäristöön ei pääse haitallisia aineita.

Hoidon ja korjausten aikana saastuneet osat, joita ei voida puhdistaa tyydyttävästi, pitää

- pakata tiiviisiin pusseihin
- hävittää ongelmajäteasetusten mukaisesti.

Saat lisätietoja huollosta jälleenmyyjältä tai maassasi toimivasta Makita-huoltokorjaamosta. Lisätietoja on tämän asiakirjan lopussa.

6 Lisätietoja

6.1 EU-vaatimustenmukaisuusvakuutus

Vakuutamme, että alla mainitut tuotteet vastaavat suunnittelultaan ja rakenteeltaan sekä valmistustavaltaan EU-direktiivien asianomaisia turvallisuus- ja terveysvaatimuksia. Jos tuotteeseen/ tuotteisiin tehdään muutoksia, joista ei ole sovittu kanssamme, tämä vakuutus ei ole enää voimassa.

Tuote: Pölynimuri märkä- ja kuivakäyttöön
Tyyppi: VC4210L

Yksiselitteiset EU-direktiivit:
2006/42/EY, 2014/30/EU, 2011/65/EU

Sovelletut harmonisoidut standardit:
EN 60335-1:2012+A11:2014
EN 60335-2-69:2012
EN 55014-1:2006+A1:2009+A2:2011
EN 55014-2:1997+A1:2001+A2:2008
EN 61000-3-2:2014
EN 61000-3-3:2013
EN 50581:2012

Dokumentointivaltuutettu:
Makita Europe N.V., Jan-Baptist Vinkstraat 2,
3070 Kortenberg, Belgium

02.01.2017

Yasushi Fukaya, Director
Makita Europe N.V., Jan-Baptist Vinkstraat 2,
3070 Kortenberg, Belgium

6.2 Tekniset tiedot

Makita VC4210L					
	EU / FR / RU	AU / NZ	CH	GB	CA / US / MX
Verkkojännite	220-240	220-240	220-240	220-240	110-120
Verkkotaajuus		50/60			50/60
Tehonotto		1200			890 / 7,4 A
Lisälaitteistorasian liittäminen	2400	1100	1100	1700	550 / 4,6 A
Kokonaisliittäminen	3600	2300	2300	2900	1440 / 12 A
Sulake	16	10		13	15
Ilmantilavuusvirta max. ^{*)}		4500 (270)			4200 (252)
Alipaine		250 (250)			230 (230)
Äänenpainetaso (IEC 60335-2-69)			62 ±2		
Äänenvoimakkuus			60 ±2		
Käsitärinä			<2,5		
Verkkoliitäntäjohto: Pituus			7,5		
Verkkoliitäntäjohto: Tyyppi	H07RN-F 3G1,5 mm ²	H05RN-F 3G1,00 mm ²		H07RN-F 3G1,5 mm ²	SJTW-A 3AWG16
Suojausluokka			I		
Suojalaji			IPX4		
Häiriönvaimennus			EN 55014-1		
Pölyluokka			L		
Säiliön tilavuus			42 (9,2)		
Leveys			385 (15,2)		
Syvyys			575 (22,6)		
Korkeus			605 (23,8)		
Paino, tarvikkeet (netto, yleisin sovellus)			16,0 (35,3)		

* mittauspaiikka turbiini
Rakenteeseen ja teknisiin tietoihin voidaan tehdä muutoksia ilmoittamatta niistä

Краткое руководство

Компоненты устройства

- 1 Крюк для шланга
- 2 Ручка
- 3 Положение принадлежностей
- 4 Система контроля скорости
- 5 Переключатель
- 6 Самоориентирующееся колесо
- 7 Контейнер
- 8 Впускной фитинг
- 9 Защёлка
- 10 Разъём для подключения устройств

Краткое иллюстрированное руководство

В данном кратком иллюстрированном руководстве приведены рекомендации по запуску, эксплуатации и хранению устройства. Руководство разделено на 4 раздела, каждому из которых соответствует определённый символ:

A



Подготовка пылесоса к работе

ПЕРЕД ЭКСПЛУАТАЦИЕЙ ПРОЧИТАТЬ РУКОВОДСТВО!

- A1** - Распаковка принадлежностей
- A2** - Установка мешочного фильтра
- A3** - Установка мешка для утилизации
- A4** - Подключение шланга и эксплуатация
- A5** - Замена принадлежностей
- A6** - Установка переходной пластины
- A7** - Установка рукоятки тележки

B



Контроль и эксплуатация

- B1** - Система очистки фильтра AutoClean
- B2** - Хранение шнура и шланга

C



Подключение электрических устройств

- C1** - Адаптация приводных устройств

D



Техническое обслуживание

- D1** - Замена мешочного фильтра
- D2** - Замена мешка для утилизации
- D3** - Замена фильтра
- D4** - Очистка диффузора для охлаждающего воздуха двигателя
- D5** - Очистка уплотнений и поплавка

Содержание

1	Указания по технике безопасности	183
1.1	Используемые символы.....	183
1.2	Указания по использованию	183
1.3	Назначение и область применения.....	183
1.4	Электрическое соединение	184
1.5	Удлинительный шнур	184
1.6	Гарантийные обязательства	184
1.7	Важные предупреждения.....	184
2	Риски.....	185
2.1	Электрооборудование.....	185
2.2	Опасная пыль	185
2.3	Запасные части и принадлежности	186
2.4	Использование в легко воспламеняемой и взрывоопасной среде	186
3	Управление и эксплуатация	186
3.1	Запуск и эксплуатация	186
3.2	Автоматическое включение и выключение розетки для приводных устройств.....	186
3.3	AutoClean	187
3.4	Антистатическое соединение ^{*)}	187
3.5	Фильтр охлаждающего воздуха	187
3.6	Влажная уборка.....	187
3.7	Сбор сухого материала.....	188
4	После использования устройства.....	188
4.1	После использования.....	188
4.2	Транспортировка	188
4.3	Хранение	188
4.4	Хранение аксессуаров и принадлежностей	188
4.5	Утилизация машины.....	189
5	Техническое обслуживание	189
5.1	Регулярное техническое обслуживание и проверка.....	189
5.2	Техническое обслуживание	189
6	Дополнительная информация	190
6.1	Декларация о соответствии требованиям ЕС	190
6.2	Технические характеристики	191

1 Указания по технике безопасности



Нижеприведённые инструкции представляют информацию по безопасности, актуальную в контексте данного краткого руководства. Перед первым запуском устройства следует внимательно ознакомиться с содержанием этого руководства. Руководство должно быть сохранено для обращения к нему впоследствии.

Техническая поддержка

Дополнительная информация доступна на нашем официальном сайте по адресу www.makita.com.

При возникновении вопросов обратитесь в местное представительство Makita.

Смотрите на обратной стороне.

1.1 Используемые символы

ОПАСНО!



Опасность, которая приводит к серьёзным или неизлечимым травмам, либо к смерти.

ВНИМАНИЕ!



Опасность, которая может привести к серьёзным травмам или смерти.

ОСТОРОЖНО!



Опасность, которая может привести к менее серьёзным травмам и повреждениям.

1.2 Указания по использованию

Устройство должно:

- использоваться только обученными лицами, которым поручена соответствующая работа;
- эксплуатироваться под присмотром

Данное оборудование не предназначено для использования людьми (в том числе, детьми) с ограниченными физическими, сенсорными и умственными способностями, а также не имеющими необходимых знаний и опыта.

Дети не должны играть с устройством.

Разрешается применять только безопасные методы работы.

Запрещено использовать устройство без фильтра.

В следующих случаях требуется выключить устройство и отключить от сети:

- перед очисткой и техническим обслуживанием;

- перед заменой компонентов;
- перед заменой насадок;
- при возникновении пены или утечке жидкости.

В дополнение к инструкциям по эксплуатации и местными правилами техники безопасности, необходимо соблюдать общепринятые требования по безопасности и надлежащему использованию.

Перед началом работы персонал должен пройти инструктаж по следующим темам:

- эксплуатация устройства;
- риски, связанные с собираемым материалом;
- безопасная утилизация собранного материала

1.3 Назначение и область применения

Этот мобильный пылесос спроектирован и тщательно протестирован. Он обеспечивает стабильную и безопасную работу при условии соблюдения следующих инструкций.

Оно подходит для эксплуатации в промышленном секторе на территории заводов, строительных площадок, цехов и т.п.

Данное устройство предназначено для аренды и коммерческого использования в гостиницах, школах, больницах, магазинах, офисах и других зданиях.

Для исключения несчастных случаев требуется обеспечить надлежащую эксплуатацию устройства использующим его лицом.

НЕОБХОДИМО ПРОЧИТАТЬ УКАЗАНИЯ ПО ТЕХНИКЕ БЕЗОПАСНОСТИ И СЛЕДОВАТЬ ИМ.

Данное устройство подходит для уборки сухой негорючей пыли и жидкостей.

Любое другое использование является использованием не по назначению. Производитель не несёт ответственности за ущерб, возникший вследствие нецелевого использования устройства. Все риски, вытекающие из такого использования, ложатся исключительно на пользователя. Целевое использование подразумевает также надлежащую эксплуатацию, техническое обслуживание и ремонт в соответствии с указаниями производителя.

Устройство может использоваться для сбора сухой негорючей пыли и жидкостей, а также опасной пыли с ОВРМ (ограничением по воздействию на рабочем месте) > 1 мг/м³. Класс L (IEC 60335-2-69).



Фильтрующий материал устройств, работающих с пылью класса L, протестирован. Максимальная

степень проникновения – 1 %, особых требований по утилизации нет.

Если воздух из пылесоса направляется обратно в помещение, необходимо обеспечить соответствующую вентиляцию (L). Перед использованием необходимо обеспечить соблюдение национальных предписаний.

1.4 Электрическое соединение

Рекомендуется подключать устройство через выключатель остаточных токов.

Необходимо соблюдать класс защиты при установке электрооборудования (розетки, штепсели, соединения) и прокладке удлинительного шнура.

Необходимо обеспечить водонепроницаемость всех наконечников и трубчатых зажимов сетевых и удлинительных шнуров.

1.5 Удлинительный шнур

Разрешается использовать только удлинительные шнуры, одобренные производителем, или более высокого качества.

При использовании удлинительного шнура необходимо проверить минимальное сечение.

Длина шнура	Сечение	
	< 16 А	< 25 А
до 20 м	1,5 мм ²	2,5 мм ²
20–50 м	2,5 мм ²	4,0 мм ²


1.6 Гарантийные обязательства

Гарантийные обязательства основаны на наших общих правилах ведения коммерческой деятельности.

При несанкционированном изменении устройства, использовании непредназначенных щёток, а также использовании устройства не по назначению ответственность производителя за возникшие повреждения исключается.

1.7 Важные предупреждения

ВНИМАНИЕ!

 Чтобы уменьшить опасность возгорания, поражения электрическим током и травм, необходимо прочитать указания по технике безопасности, предупреждающие надписи и следовать им. Это устройство не представляет опасности при использовании в соответствии с указаниями. В случае повреждения электрических или механических компонентов, чтобы избежать травм и повреждения оборудования, перед дальнейшей

эксплуатацией устройство и (или) его принадлежности должны быть отремонтированы компетентными специалистами технической службы или изготовителем.

Не оставляйте устройство включенным в сеть. Отключите устройство от сети по окончании эксплуатации или перед техническим обслуживанием.

Допускается только нерегулярное использование устройства вне помещения.

Нельзя использовать устройство с повреждённым шнуром или вилкой. При отключении от сети необходимо удерживать штепсель, а не шнур. Не трогайте вилку или устройство мокрыми руками. Перед отключением от сети необходимо выключить все элементы управления.

Нельзя тащить или носить устройство за шнур, использовать шнур вместо ручки, прищемлять шнур дверью или перегибать вокруг острых поверхностей или углов. Нельзя перемещать устройство по шнуру. Следует избегать соприкосновения шнура с горячими поверхностями.

Следует избегать попадания волос, одежды, пальцев или других частей тела в отверстия и подвижные детали устройства. Запрещено помещать какие-либо объекты в отверстия или использовать устройство с перекрытыми отверстиями. Необходимо следить, чтобы в отверстия не попадала пыль, волосы или другие объекты, способные замедлить воздушный поток.

Нельзя использовать устройство вне помещения при низкой температуре.

Не используйте данное устройство для уборки горючих или легко воспламеняющихся жидкостей и топлива. Не применяйте его в местах их присутствия.

Не используйте данное устройство для уборки горящих или дымящихся предметов, включая сигареты, спички и горячую золу.

Требуется особая осторожность при очистке лестницы.

Нельзя использовать устройство без фильтров.

Если устройство не работает надлежащим образом, было уронено, повреждено, находилось вне помещения или погружено в воду, следует обратиться в техническую службу или к дилеру.

При вытекании пены или жидкости устройство следует немедленно выключить и опорожнить бак.

Данное устройство нельзя использовать в качестве водяного насоса. Данное устройство предназначено для уборки паровоздушных и водяных смесей.

Необходимо обеспечить правильное заземление кабеля питания от сети. Штепсельная розетка и удлинительный шнур должны быть снабжены проводом защитного заземления.

Необходимо обеспечить хорошую вентиляцию рабочего места.


Нельзя использовать данное устройство в качестве лестницы или стремянки. Оно может опрокинуться и выйти из строя. Травмоопасно.

Розетку на машине разрешается использовать только для целей, указанных в руководстве.

2 Риски

2.1 Электрооборудование


ОПАСНО!

 В верхней части устройства имеются находящиеся под напряжением компоненты.

Непосредственный контакт с компонентами под напряжением может стать причиной серьезных травм и даже смерти.

1. Не допускайте попадания воды на верхнюю часть устройства.

ОПАСНО!

 Неисправность и повреждение шнура питания могут стать причиной удара током.

Непосредственный контакт с неисправным или поврежденным шнуром питания может стать причиной серьезных травм и даже смерти.

1. Требуется осторожность, чтобы не повредить силовую кабель электропитания, например, переехав, потянув или передавив его.
2. Необходимо регулярно проверять состояние шнуров питания на наличие повреждений или признаков старения.
3. Во избежание несчастного случая поврежденный шнур питания подлежит замене авторизованным дистрибьютором компании Makita или другим квалифицированным специалистом.
4. Ни при каких обстоятельствах не обматывайте шнур питания вокруг пальцев или другой части тела.

2.2 Опасная пыль

ВНИМАНИЕ!

 Опасные вещества.

Всасывание опасных веществ может привести к тяжёлым и даже смертельным травмам.

1. Нельзя собирать следующие вещества:
 - горячие объекты (тлеющие сигареты, горячую золу и т.д.),
 - горючие, взрывоопасные и агрессивные жидкости (напр., бензин, растворители, кислоты, щёлочи и т.п.),
 - горючую, взрывоопасную пыль (напр., магниевую, алюминиевую пыль и т.д.).

2.3 Запасные части и принадлежности

ОСТОРОЖНО!



Запасные части и принадлежности

Использование неоригинальных запасных частей, щёток и дополнительных принадлежностей может негативно сказаться на безопасности и функциях оборудования.

1. Используйте только запасные части и принадлежности компании Makita. Ниже приведены запасные части, способные повлиять на безопасность оператора и функции оборудования.

Описание	Артикул
Плоский фильтр PTFE, 1 шт.	W107418351
Флисовый мешочный фильтр, 5 шт.	W107418353
Мешок для утилизации, 5 шт.	W107418355
Фильтр воздуха для охлаждения двигателя PET, 1 шт.	W107418352

2.4 Использование в легко воспламеняемой и взрывоопасной среде

ОСТОРОЖНО!



Данное устройство не предназначено для использования в легко воспламеняемой или взрывоопасной среде или в местах, где из-за летучих жидкостей, горючего газа или испарений высок риск возникновения такой среды.

3 Управление и эксплуатация

ОСТОРОЖНО!



Повреждение при подключении к сети с несоответствующим напряжением.

Несоответствующее напряжение сети может стать причиной повреждения подключаемых устройств.

1. Напряжение источника питания должно соответствовать характеристикам, указанным на табличке с техническими данными.

3.1 Запуск и эксплуатация

1. Электрический выключатель должен быть в положении «0» (выкл.).
2. Проверить наличие в устройстве соответствующих фильтров.

3. Подсоединить всасывающий шланг, вставив в канал, пока он надёжно не зафиксируется на месте.
4. Затем подсоединить трубки с ручкой. Повернув, закрепить трубки.
5. Прикрепить к трубке подходящую насадку. Выбрать насадку в зависимости от собираемого материала.
6. При использовании в сочетании с образующим пыль оборудованием на всасывающий шланг должен быть установлен соответствующий адаптер.
7. Вставить вилку в соответствующую розетку электросети.
8. Запустить двигатель, переместив переключатель в положение «I».

	I: запуск устройства
	I/O: остановка устройства Розетка постоянно под напряжением
	AUTO: режим автоматического включения и выключени
	I + : активация устройства с отключенной функцией автоматической очистки фильтра
	AUTO + : режим автоматического включения и выключения с отключенной функцией автоматической очистки фильтра
	Контроль скорости с помощью отдельного поворотного переключателя

3.2 Автоматическое включение и выключение розетки для приводных устройств

ОСТОРОЖНО!



Электрическая розетка для подключения устройств.

Розетка предназначена для подключения периферийного оборудования, см. технические характеристики.

1. Перед подключением необходимо выключать устройство и подключаемое оборудование.
2. Требуется внимательно прочитать инструкции по эксплуатации подключаемого оборудования и соблюдать все соответствующие требования к безопасности.

Устройство оснащено заземлённой электрической розеткой. Через эту розетку можно подклю-

часть электрооборудование. На розетке постоянно присутствует питание $\Psi/0$, т.е. устройство можно использовать в качестве удлинителя.

В положении AUTO устройство может быть включено и выключено подключенным оборудованием. Если используемый инструмент приводит к образованию пыли, возникающее загрязнение должно удаляться немедленно. Использование не утверждённого пылеобразующего оборудования запрещено и может стать причиной нарушения законодательных и других норм.

Максимально допустимая потребляемая мощность внешнего оборудования указана в разделе «Технические характеристики».

При включении выключателя в положение AUTO подключенное оборудование должно быть выключено.

3.3 AutoClean

Устройство оснащено автоматической системой очистки фильтра (AutoClean). Во время работы устройства часто активируется функция очистки, обеспечивая эффективность всасывания.

При работе с большим количеством пыли или уменьшении эффективности всасывания рекомендуется очистка фильтра вручную.


1. Выключить устройство.
2. Закрыть ладонью отверстие всасывающего шланга или насадки.
3. Повернуть переключатель в положение «I» и позволить устройству поработать на полной скорости приблизительно 10 секунд с закрытым отверстием всасывающего шланга.

Если после этого сила всасывания осталась низкой, следует извлечь фильтр и очистить его механически или заменить.

В некоторых случаях, например, при сборе влажного материала, функцию автоматической очистки фильтра рекомендуется отключать. Подробнее см. в разделе 3.1.

3.4 Антистатическое соединение^{*)}

ОСТОРОЖНО!

 Для снятия возникшего при сборе пыли статического заряда устройство оснащается антистатической системой.

Антистатическая система находится в передней части отделения двигателя и образует заземляющее соединение с впускным фитингом контейнера.

Для надлежащего функционирования рекомендуется использование токопроводящего или антистатического всасывающего шланга.


1. При установке мешка для утилизации (опция) антистатическое соединение должно сохраняться.

3.5 Фильтр охлаждающего воздуха

Устройство оснащено диффузором охлаждающего воздуха для защиты двигателя и электросистемы. Диффузор охлаждающего воздуха требуется периодически очищать.

В областях с высокой концентрацией мелкой пыли в окружающем воздухе рекомендуется оснащать устройство патронным фильтром охлаждающего воздуха (опция), который исключает накопление пыли внутри воздушных каналов и в отделении двигателя. Обращайтесь к местному торговому представителю.


ОСТОРОЖНО!

 Если фильтр охлаждающего воздуха засорён пылью, может сработать система защиты двигателя от перегрузки.

1. В этом случае требуется выключить устройство, очистить фильтр охлаждающего воздуха и подождать около 5 минут, пока система охладится.

3.6 Влажная уборка

ОСТОРОЖНО!

 Устройство оборудовано системой контроля, которая перекрывает поток воздуха при достижении максимального уровня жидкости.

1. В этом случае устройство требуется выключить.
2. Отключить от сети и опорожнить контейнер.
3. Запрещено собирать жидкость, если не установлены фильтр и система контроля уровня.
4. Не использовать для сбора легко воспламеняющихся жидкостей
5. Перед началом сбора жидкости следует проверить исправность системы контроля уровня.
6. При появлении пены следует немедленно остановить работу и опорожнить бак.
7. Следует регулярно очищать систему контроля уровня и проверять её на отсутствие повреждений.

Перед опорожнением контейнера требуется отключить устройство от электросети. Потянув, отсоединить шланг от входа. Потянув в стороны, разблокировать защёлки и освободить верхнюю часть с двигателем. Снять верхнюю часть с двигателем с контейнера. После сбора жидкости

всегда требуется опорожнять и очищать контейнер и систему контроля уровня.

Опорожнить контейнер, наклонив назад или в сторону: вылить жидкость в сточную канализацию в полу или другой отвод.

Установить верхнюю часть с двигателем на контейнер, закрепить защёлками.

В результате резких манёвров может быть ошибочно активирована система контроля уровня жидкости. В этом случае требуется выключить устройство и подождать 3 секунды. Система вернётся в исходное состояние, и можно будет продолжить работу.

3.7 Сбор сухого материала

ОСТОРОЖНО!



Сбор опасных для окружающей среды материалов.

Собранные материалы могут представлять угрозу для окружающей среды.

1. Необходимо утилизировать собранные загрязнения в соответствии с требованиями законодательства.

После проведения сухой уборки, перед опорожнением устройство следует отключить от электросети. Потянув в стороны, разблокировать защёлки и освободить верхнюю часть с двигателем. Снять верхнюю часть с двигателем с контейнера.

Фильтр: проверить. Фильтр можно потрясти, очистить щёткой или промыть. Перед возобновлением сбора пыли требуется подождать, пока фильтр высохнет.

Мешочный фильтр: проверять степень заполнения. При необходимости заменить пылевой мешок. Извлечь старый пылевой мешок. Для установки нового пылевого мешка необходимо ввести во вход устройства картонный элемент с резиновой мембраной. Резиновая мембрана должна располагаться за возвышением на входе.

После опорожнения. Установить верхнюю часть с двигателем на контейнер и закрепить защёлками. Нельзя собирать сухой материал, если не установлен фильтр. Эффективность всасывания зависит от размера и качества фильтра и пылевого мешка, поэтому рекомендуется использовать только оригинальные компоненты.

4 После использования устройства

4.1 После использования

Неиспользуемое устройство требуется отключить от электросети. Свернуть шнур (начать от устройства). Шнур можно обернуть вокруг верхней части с двигателем, свернуть на контейнере, поместить на крючок или крепёжные устройства. В некоторых моделях предусмотрено место для хранения принадлежностей.

4.2 Транспортировка

1. Перед транспортировкой устройства требуется закрыть все замки.
2. Не наклонять устройство, если в баке для загрязнений имеется жидкость.
3. Нельзя наклонять устройство крюком с помощью крана.
4. Не поднимать устройство за рукоятку тележки^{*)} или ручку МАКРАС-Box^{*)}.

4.3 Хранение

ОСТОРОЖНО!



Устройство следует хранить в сухом месте, защищённом от дождя и мороза. Устройство должно храниться только в помещении.

4.4 Хранение аксессуаров и принадлежностей

Для удобной транспортировки и хранения аксессуаров и принадлежностей сбоку на устройстве предусмотрены рейки для крепления предметов ремнями или другим способом. Для крепления всасывающего шланга и шнура питания на задней части устройства имеются ремень и крючки. Указания см. в кратком руководстве.

В качестве опции предлагается переходная пластина^{*)} с системой крепления, которая может быть смонтирована на устройство для установки 2-х или 4-точечных ящиков.

Перед установкой переходной пластины устройство следует отключить от электросети.

ОСТОРОЖНО! *)



Нельзя поднимать устройство с переходной пластиной без надлежащим образом установленного ящика для хранения. Необходимо учитывать вес и сбалансированное расположение принадлежностей в ящике. Максимальный вес ящика для хранения – 30 кг.

4.5 Утилизация машины

Выведенное из эксплуатации устройство необходимо привести в нерабочее состояние.

1. Обесточить устройство.
2. Обрезать шнур питания.
3. Не утилизировать вместе с бытовым мусором.



Согласно европейской директиве 2012/19/EU о пришедших в негодность электрических и электронных приборах, бывшие в употреблении электротовары подлежат сбору отдельно от остального мусора с передачей на переработку при соблюдении природоохранных нормативов.

5 Техническое обслуживание

5.1 Регулярное техническое обслуживание и проверка

Регулярное техническое обслуживание и проверку работоспособности устройства должны выполнять должным образом обученные сотрудники в полном соответствии с применимыми законодательными и другими нормами. В частности, необходимо проводить регулярные и достаточно частые проверки целостности заземления, сопротивления изоляции и состояния гибких кабелей.

В случае выявления каких бы то ни было дефектов НЕОБХОДИМО прекратить использование устройства до окончания полной проверки и ремонта, проведённых уполномоченным обслуживающим персоналом.

Не реже одного раза в год специалист технической службы компании Makita или проинструктированное лицо должны проводить техническую проверку устройства, включая фильтры и механизмы управления, кроме того, следует проверять герметичность всей системы.

5.2 Техническое обслуживание

Перед проведением обслуживания отключить устройство от электросети. Перед эксплуатацией необходимо проверить соответствие частоты и напряжения электросети указанным на табличке данным.

Данное устройство предназначено для продолжительной работы в тяжёлых условиях. Пылевые фильтры следует менять в зависимости от времени работы устройства. Для очистки контейнера используется сухая ткань с небольшим количеством распыляемого средства для полирования.

Во время технического обслуживания и очистки необходимо обращаться с устройством таким

образом, чтобы не возникала опасность для обслуживающего персонала и других людей.

В области проведения обслуживания

- Использовать принудительную вентиляцию с фильтрацией
- Надевать защитную одежду

Очищать область проведения обслуживания таким образом, чтобы вредные вещества не попадали в окружающую среду.

При проведении работ по ремонту и обслуживанию все загрязнённые компоненты, которые невозможно надлежащим образом очистить, должны быть:

- упакованы в герметичные пакеты,
- утилизированы в соответствии с действующими положениями.

За информацией по послепродажному обслуживанию следует обращаться к дилеру или региональному сервисному представителю Makita. Смотрите на обратной стороне.

D

Makita VC4210L

GB

F

6 Дополнительная информация

NL

I

6.1 Декларация о соответствии требованиям ЕС

Настоящим мы заявляем, что нижеуказанный прибор по своей концепции и конструкции, а также в осуществленном и допущенном нами к продаже исполнении отвечает соответствующим основным требованиям по безопасности и здоровью согласно директивам ЕС. При внесении изменений, не согласованных с нами, данное заявление теряет свою силу.

DK

Продукт: Пылесосы для мокрой и сухой уборки
Тип: VC4210L

SF

E

Основные директивы ЕС:
2006/42/ЕС, 2014/30/ЕС, 2011/65/ЕС

P

Примененные гармонизированные нормы:
EN 60335-1:2012+A11:2014
EN 60335-2-69:2012
EN 55014-1:2006+A1:2009+A2:2011
EN 55014-2:1997+A1:2001+A2:2008
EN 61000-3-2:2014
EN 61000-3-3:2013
EN 50581:2012

GR

TR

SLO

HR

уполномоченный по документации:
Makita Europe N.V., Jan-Baptist Vinkstraat 2,
3070 Kortenberg, Belgium

SK



CZ

02.01.2017

PL

Yasushi Fukaya, Director
Makita Europe N.V., Jan-Baptist Vinkstraat 2,
3070 Kortenberg, Belgium

H

RO

BG

RUS

EST

LV

LT

AL

MK

SR

UK

6.2 Технические характеристики

Makita VC4210L					
	EU / FR / RU	AU / NZ	CH	GB	CA / US / MX
Напряжение	220-240	220-240	220-240	220-240	110-120
Частота сети	Hz	50/60	50/60	50/60	50/60
Потребляемая мощность	W	1200	1200	1700	890 / 7,4 A
Подключаемая мощность инструмента на розетке пылесоса	W	2400	1100	1100	550 / 4,6 A
Потребляемая мощность	W	3600	2300	2900	1440 / 12 A
Предохранитель	A	16	10	13	15
Расход воздуха макс.	l/min (m ³ /h)	4500 (270)	4500 (270)	4500 (270)	4200 (252)
Разряжение	mbar (hPa)	250 (250)	250 (250)	250 (250)	230 (230)
Уровень звукового давления (IEC 60335-2-69)	dB(A)	62 ±2	62 ±2	62 ±2	62 ±2
Шум при работе	dB(A)	60 ±2	60 ±2	60 ±2	60 ±2
Вибрация, передаваемая на руки от корпуса	m/s ²	<2,5	<2,5	<2,5	<2,5
Подсоединительный шнур, длина	m	7,5	7,5	7,5	7,5
Сетевой кабель, тип	H07RN-F 3G1,5 mm ²	H05RN-F 3G1,00 mm ²	H05RN-F 3G1,00 mm ²	H07RN-F 3G1,5 mm ²	SJTW-A 3AWG16
Класс защиты от поражения электрическим током		I	I	I	I
Класс защиты от попадания пыли и воды		IPX4	IPX4	IPX4	IPX4
Степень помехоподавления		EN 55014-1	EN 55014-1	EN 55014-1	EN 55014-1
класс пыли		L	L	L	L
Объем емкости	l (UKgal)	42 (9,2)	42 (9,2)	42 (9,2)	42 (9,2)
Ширина	mm (in)	385 (15,2)	385 (15,2)	385 (15,2)	385 (15,2)
Длина	mm (in)	575 (22,6)	575 (22,6)	575 (22,6)	575 (22,6)
Высота	mm (in)	605 (23,8)	605 (23,8)	605 (23,8)	605 (23,8)
Масса вкл. аксессуары (нетто)	kg (lb)	16,0 (35,3)	16,0 (35,3)	16,0 (35,3)	16,0 (35,3)

* измерено на турбине
Технические характеристики и данные могут быть изменены без предварительного уведомления.

Kiirkasutusjuhend

Tööelemendid

- 1 Vooliku konks
- 2 Käepide
- 3 Tarvikute asendid
- 4 Kiiruse juhtelement
- 5 Lüliti
- 6 Seadme all olev ratas
- 7 Mahuti
- 8 Sisselaskeliitmik
- 9 Riiv
- 10 Seadme pistikupesa

Piltidega kiirkasutusjuhend

Piltidega kiirkasutusjuhend on mõeldud abiks seadme kasutusele võtmisel, sellega töötamisel ja selle hoiustamisel. Juhend on jagatud 4 ossa, mida tähistavad sümbolid:

A



Enne käivitamist

ENNE KASUTAMIST LUGEGE KASUTUSJUHEND LÄBI!

- A1** - Tarvikute lahtipakkimine
- A2** - Filtrikoti paigaldus
- A3** - Ühekordselt kasutatava koti paigaldus
- A4** - Vooliku lisamine ja kasutamine
- A5** - Tarvikute paigaldamine
- A6** - Adapterplaadi paigaldus
- A7** - Tõstekäepideme paigaldus

B



Juhtimine/kasutamine

- B1** - AutoClean filtri puhastussüsteem
- B2** - Juhtme ja vooliku hoidik

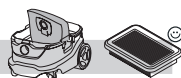
C



Elektriseadmete ühendamine

- C1** - Mootortööriista kohandamine

D



Hooldus:

- D1** - Filtrikoti välja vahetamine
- D2** - Ühekordselt kasutatava koti välja vahetamine
- D3** - Filtri välja vahetamine
- D4** - Mootori jahutusõhu hajuti puhastamine
- D5** - Tihendite ja ujuki puhastamine

Sisu

1 Ohutusjuhised	193
1.1 Juhiseid tähistavad sümbolid	193
1.2 Kasutusjuhend	193
1.3 Otstarve ja otstarbekohane kasutus.....	193
1.4 Elektriühendus	193
1.5 Pikendusjuhe.....	194
1.6 Garantii.....	194
1.7 Olulised hoiatused.....	194
2 Riskid.....	195
2.1 Elektrilised komponendid	195
2.2 Ohtlik tolm	195
2.3 Varuosad ja tarvikud.....	195
2.4 Plahvatusohtlikus või kergestisüttivas keskkonnas	195
3 Juhtimine/kasutamine.....	195
3.1 Masina käivitamine ja kasutamine	195
3.2 Auto-On/Off pistikupesa elektrilistele tööriistadele	196
3.3 AutoClean	196
3.4 Antistaatiline ühendus*)	196
3.5 Jahutusõhu filter.....	196
3.6 Märg kogumine	197
3.7 Kuiv kogumine.....	197
4 Pärast masina kasutamist	197
4.1 Pärast kasutamist.....	197
4.2 Transportimine	197
4.3 Hoiulepanek	197
4.4 Tarvikute ja tööriistade hoiustamine	197
4.5 Masina ringlussevõtmine.....	198
5 Hooldus	198
5.1 Regulaarne teenindus ja kontroll.....	198
5.2 Hooldus	198
6 Lisateave	198
6.1 ELi vastavusdeklaratsioon	198
6.2 Tehnilised andmed	199

1 Ohutusjuhised



Käesolevast peatükist leiata seadmega seotud ohutusinfo koos kiirkasutusjuhendiga. Käesolev kasutusjuhend tuleb enne masina esmakordset käivitamist hoolikalt läbi lugeda. Hoidke juhised edaspidiseks kasutamiseks alles.

Edasine kasutajatugi

Täiendavat infot seadme kohta leiata meie koduleheküljel www.makita.com.

Täiendavate küsimuste korral võtke palun ühendust oma kohaliku Makitai teeninduskeskusega.

Kontaktid leiata käesoleva juhendi tagaküljelt.

1.1 Juhiseid tähistavad sümbolid

OHT!



Oht, mis põhjustab tõsiseid või pöördumatuid vigastusi või koguni surma.

HOIATUS!



Oht, mis võib põhjustada tõsiseid vigastusi või koguni surma.

ETTEVAATUST!



Oht, mis võib põhjustada väiksemaid vigastusi ja kahjustusi.

1.2 Kasutusjuhend

Seadet:

- võivad kasutada ainult need isikud, kes on saanud juhised selle nõuetekohaseks kasutamiseks ja kellele on selgesõnaliselt tehtud ülesandeks selle käitamine
- võib kasutada ainult järelevalve all

Seade ei ole mõeldud kasutamiseks isikutele (sh lastele), kellel on füüsiline, vaimne või meelepuue või puudulikud kogemused ja teadmised.

Laste järele tuleb valvata, et nad seadmega ei mängiks.

Ärge kasutage ohtlikke töövõtteid.

Seadet ei tohi mingil juhul kasutada ilma filtrita.

Lülitage seade välja ja eemaldage elektrijuhtme pistik seinakontaktist järgnevates olukordades:

- Enne seadme puhastamist ja hooldamist
- Enne komponentide väljavahetamist
- Enne seadme ümberlülitamist
- Vahu tekkimisel või vedeliku eraldumisel

Lisaks kasutusjuhendile ja kasutamiskiirgide kohustuslikele õnnetuste vältimise eeskirjadele tuleb järgida

ka tunnustatud ohutuse ja nõuetekohase kasutuse eeskirju.

Enne tööga alustamist peavad seadet kasutataval töötajatel olema teadmised järgmistes valdkondades ja nad peavad olema saanud koolitust järgmistes valdkondades:

- masina kasutamine
- kogutava materjaliga seotud riskid
- kogutud materjali turvaline kõrvaldamine

1.3 Otstarve ja otstarbekohane kasutus

See mobiilne tolmutpuhastaja on projekteeritud, välja töötatud ja rangelt testitud efektiivselt ja ohutult töötamiseks, kui seadet hooldatakse ja kasutatakse vastavalt järgnevatele juhistele.

Masin on sobilik tööstuslikuks kasutuseks, näiteks tehastes, ehitusobjektidel ja töökodades.

Masin on ette nähtud kommertskasutuseks, näiteks hotellides, koolides, haiglates, tehastes, poodides, kontorites ja rendiettevõtetes.

Valest kasutamisest tingitud õnnetusi saavad ära hoida ainult masina kasutajad.

LUGEGE LÄBI KÕIK OHUTUSJUHISEID JA PIDAGE NEIST KINNI.

Seade sobib kuiva, mittesüttiva tolmu ja vedelike kogumiseks.

Igasugust muud kasutust loetakse mittenõuetekohaseks kasutuseks. Tootja ei võta sellisest kasutusest tulenevate kahjustuste puhul mingit vastutust. Sellisest kasutamisest tulenev risk lasub ainult kasutajal endal. Nõuetekohane kasutamine tähendab ka nõuetekohast käitamist, hooldamist ja parandamist, nagu on määranud tootja.

Seade sobib kuiva, mittesüttiva tolmu ja vedelike, OEL väärtusega (kutsetegevuse ekspositsiooni piir) > 1 mg/m³ ohtliku tolmu kogumiseks. Tolmuklass L (IEC 60335-2-69).



Tolmuklassi L masinate puhul on testitud filtri materjali. Maksimaalne läbilaskvus on 1 % ning kõrvaldamise suhtes erinõu puudub.

Tolmutpuhastajate puhul tagage piisav õhuvahetuse kiirus L, kui väljuv õhk suunatakse tagasi ruumi. Enne kasutust järgige riiklikke eeskirju.

1.4 Elektriühendus

Soovitav on masin ühendada rikkevoolukaitselüliti abil.

Tagage vajalikud elektrilised osad (pistikupesad, pistikud ja ühendused) ning pikendusjuhe, et oleks tagatud kaitseklass.

Elektrijuhtmete ja pikendusjuhtmete pistmikud ja ühendused peavad olema veekindlad.

1.5 Pikendusjuhe

Pikendusjuhtmena kasutage vaid tootja poolt määratud või sellest paremate omadustega versiooni.

Pikendusjuhtme kasutamisel kontrollige selle minimaalset ristlõiget tabelist:

Juhtme pikkus	Ristlõige	
	< 16 A	< 25 A
kuni 20 m	1,5 mm ²	2,5 mm ²
20 kuni 50 m	2,5 mm ²	4,0 mm ²


1.6 Garantii

Garantiile kehtivad meie ettevõtte tavapärased tingimused.

Omavoliline seadme muutmise, valede harjade kasutamine ja seadme mittenõuetekohane kasutamine vabastab tootja igasugusest vastutusest tekkinud kahjustuste eest.

1.7 Olulised hoiatused

HOIATUS!

 Tulekahju, elektrilöögi ja vigastuste ohu vähendamiseks lugege enne kasutamist hoolikalt läbi kõik ohutusjuhised ja järgige ettevaatusmärkeid. Masin on projekteeritud ettenähtud puhastustööde turvaliseks tegemiseks. Elektriliste ja mehaaniliste osade kahjustumise korral tuleb masin ja/või tarvik enne selle uuesti kasutamist remontida pädevas teeninduskeskuses või tootja juures, et vältida masina edasisi kahjustusi või kasutaja vigastamise ohtu.

Kui masin on ühendatud vooluvõrku, ei tohi seda järelevalveta jätta. Masina mittekasutamise korral, samuti enne hooldamist ühendage see vooluvõrgust lahti.

Seadme kasutamine välitingimustes peab piirduma üksnes erijuhtudega.

Kui juhe või pistik on kahjustatud, ei tohi masinat kasutada. Lahtiühendamisel hoidke kinni pistikust, mitte juhtmest. Pistikut ega masinat ei tohi kasutada märgade kätega. Enne juhtme väljatõmbamist lülitage kõik juhtseadised välja.

Masinat ei tohi juhtmest sikutada ega kanda, juheta käepidemena kasutada, jätta juheta suletud ukse vahele, tõmmata juheta üle

teravate servade või ümber nurkade. Ärge laske masinal üle juhtme sõita. Väldige juhtme kokkupuudet kuumade pindadega.

Hoidke juuksed, avarad riided, sõrmed ja muud kehaosad eemal avaustest ja liikuvatest osadest. Ärge pange avadesse mingeid esemeid ega kasutage masinat, kui mõni ava on blokeeritud. Hoidke avad puhtad tolmust, kiududest, juuksekarvadest ja muust, mis võiks õhuvoolu takistada.

Ärge kasutage madala temperatuuriga välitingimustes.

Ärge kasutage tuleohtlike ja kergestisüttivate vedelike kogumiseks, nagu nt bensiin, ega kohtades, kus selliseid vedelikke võib leiduda.

Ärge koguge masinaga põlevaid ega suitsuvaid materjale, nt sigarette, tikke või kuumatuhka.

Treppide puhastamisel olge eriti ettevaatlik.

Masinat tohib kasutada ainult juhul, kui on paigaldatud filtrid.

Kui masin ei tööta korralikult või see on maha kukkunud, katki, õue jäänud või vette kukkunud, saatke see teeninduskeskusesse või edasimüüja juurde hooldusse.

Kui masinast väljub vahtu või vedelikku, lülitage see kohe välja.

Masinat ei tohi kasutada veepumbana. Masin on ettenähtud õhu ja vee segude imamiseks.

Ühendage masin nõuetekohaselt maandatud vooluvõrku. Pistikupesa ja pikendusjuhe peavad olema varustatud toimiva kaitsejuhiga.

Tagage töökohas piisav ventilatsioon.


Ärge kasutage masinat redeli või treppredelina. Masin võib ümber minna ja saada kahjustusi. Vigastuste saamise oht.

Kasutage masina pistikupesa vaid juhistes kirjeldatud otstarbel.

2 Riskid

2.1 Elektrilised komponendid


OHT!

 Masina ülemine osa sisaldab pingestatud osi.

Kokkupuude pingestatud osadega võib põhjustada tõsiseid või isegi surmavaid vigastusi.

1. Masina ülemisele osale ei tohi sattuda vett.

OHT!


 Elektrilöögi oht vigase elektrijuhtme tõttu.

Vigase elektrijuhtme puudutamine võib põhjustada tõsiseid või isegi surmavaid vigastusi.

1. Ärge vigastage elektrijuhet (nt sõites üle selle või seda tõmmates või muljudes).
2. Kontrollige regulaarselt, kas elektrijuhe on töökorras või hakkab vananema.
3. Kui elektrijuhe on kahjustunud, siis ohu vältimiseks peab selle välja vahetama volitatud Makitai edasimüüja või muu samalaadselt kvalifitseeritud isik.
4. Mitte mingil juhul ei tohi elektrijuhet mähkida ümber sõrmede või muude kehaosade.

2.2 Ohtlik tolm

HOIATUS!

 Ohtlikud materjalid.


Ohtlike materjalide imamine võib põhjustada tõsiseid või isegi surmavaid vigastusi.

1. Alljärgnevaid materjale ei ole masinaga lubatud koguda:
 - kuumad ained (põlevad sigaretid, kuum tuhk jne)
 - süttimisohtlikud, plahvatusohtlikud, agressiivsed vedelikud (nt bensiin, lahustid, happed, alused jne)

- süttimisohtlik, plahvatusohtlik tolm (nt magneesiumi või alumiiniumi tolm jne)

2.3 Varuosad ja tarvikud

ETTEVAATUST!


 Varuosad ja tarvikud
Mitteoriginaalsete varuosade, harjade või tarvikute kasutamine võib mõjutada seadme ohutust ja/või tööd.

1. Kasutage ainult Makitai originaalvaruosi ja -tarvikuid. Varuosad, mis võivad mõjutada kasutaja tervist ja ohutust ja/või seadme tööd, on esitatud allpool:

Kirjeldus	Järjenumber:
Lame filter PTFE, 1 tk.	W107418351
Fliisist filtrikott, 5 tk.	W107418353
Ühekordselt kasutatav kott, 5 tk.	W107418355
Mootori jahutusõhu filter PET, 1 tk.	W107418352


2.4 Plahvatusohtlikus või kergestisüttivas keskkonnas

ETTEVAATUST!

 Masin ei ole sobilik kasutamiseks plahvatusohtlikes või kergestisüttivates keskkondades või kohas, kus sellised tingimused võivad kergesti tekkida ebastabiilsete vedelike, süttivate gaaside või aurude olemasolu tõttu.

3 Juhtimine/kasutamine

ETTEVAATUST!

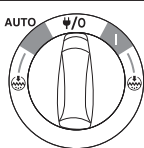


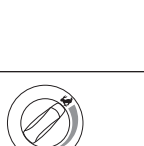
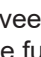
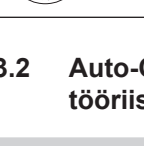


 Kahjustuse oht ebasobiva toitepinge tõttu.
Seade võib saada kahjustusi ühendamisel ebasobiva toitepingega.

1. Veenduge, et andmete plaadil toodud pinge vastab vooluvõrgu pingele.

3.1 Masina käivitamine ja kasutamine

1. Veenduge, et elektrilüliti on väljalülitatud asendis (asendis 0).
2. Kontrollige, kas vajalikud filtrid on masina küljes.
3. Siis ühendage imivoolik masina sisseimamisvasse, lükates voolikut edasi, kuni see on kindlalt sissevõtuavas paigal.

- Seejärel ühendage torud vooliku käepidemega ja pöörake torusid, veendumaks, et need on korralikult paigas.
- Kinnitage toru külge sobiv otsik. Otsiku valimisel arvestage sellega, mis tüüpi materjali te koguma hakkate.
- Juhul, kui kasutate seadet tolmu tootva tööriistaga seoses tolmu kõrvaldamiseks, siis ühendage imivooliku ots asjakohase adapteriga.
- Ühendage pistik sobivasse pistikupesasse.
- Pange mootori käivitamiseks elektrilüliti asendisse I.

	Pöörake I: Aktiveerige masin
	Pöörake 0: Seisake masin. Pidev toide pistikupesas
	Pöörake AUTO: Aktiveerige Auto-On/Off operatsioon
	Lülitage I +  : Aktiveerige masin koos deaktiveeritud automaatse filtri puhastamise funktsiooniga
	Lülitage AUTO +  : Aktiveerige Auto-On/Off operatsioon koos deaktiveeritud automaatse filtri puhastamise funktsiooniga
	Kiiruselüliti operatsioon eraldi pöörataval regulaatoril

3.2 Auto-On/Off pistikupesade elektriliste tööriistadele

ETTEVAATUST!



Seadme pistikupesas.

Seadme pistikupesas on mõeldud elektriliste lisaseadmetele; vt võrdluseks tehnilisi andmeid.

- Enne seadme ühendamist lülitage masin ja ühendatav seade välja.
- Lugege ühendatava seadme kasutusjuhend läbi ning järgige seal sisalduvaid ohutusjuhiseid.

Seadme maandatud pistikupesas on integreeritud masinasse. Sinna on võimalik ühendada väline elektriline tööriist. Pistikupesas varustatakse pidevalt toitega^{*)}, kui elektrilüliti on asendis 0, s.o masinat saab kasutada pikendusjuhtmena.

Asendis AUTO saab masina sisse ja välja lülitada ühendatud elektrilise tööriistaga. Mustus kogutakse tolmuallikast koheselt. Vastavalt eeskirjadele tohib ühendada vaid heaks kiidetud tolmu tekitavaid tööriistu.

Ühendatud elektrilise seadme maksimaalne voolutarbivus on toodud peatükis „Tehnilised andmed”.

Enne lüliti lülitamist asendisse AUTO veenduge, et seadme pistikupesasse ühendatud tööriist on välja lülitatud.

3.3 AutoClean

Masin on automaatne filtri puhastamise süsteem, AutoClean. Sage puhastustsükkel töötab automaatselt seadme kasutamise ajal, et tagada parim imamisvõimsus.

Imamisvõimsuse vähenemise korral või suures koguses tolmu kogumise korral soovitatakse kasutada käsitsi filtri puhastamise toimingut:

- Lülitage masin välja
- Sulgege otsikute või imivooliku avaus oma peopesaga.
- Pöörake lüliti asendisse „I“ ja laske masinal täisvõimsusel töötada ligikaudu 10 sekundit nii, et imivooliku avaus on suletud.

Kui imamisvõimsus on siiski väike, võtke filter välja ja puhastage seda mehhaaniliselt või vahetage see välja.

Teatud kasutusotstarvete korral, näiteks märg kogumine, on soovitatav lülitada automaatne filtri puhastamise süsteem välja. Üksikasju vaadake peatükist 3.1.

3.4 Antistaatiline ühendus^{*)}

ETTEVAATUST!



Masin on varustatud antistaatilise süsteemiga, mis vabastab tolmu kogumise ajal tekkida võiva staatilise elektri.

Antistaatiline süsteem on paigaldatud mootorikatte esiosale ja loob maandusühenduse mahuti sisselaskekeliitmikuga.

Nõuetekohaseks toimimiseks soovitatakse kasutada elektrit juhtivat või antistaatilist imivoolikut.

- Valikulise ühekordselt kasutatava koti paigaldamisel veenduge, et säiliks antistaatiline ühendus.

3.5 Jahutusõhu filter

Elektronika ja mootori kaitsmiseks on masin varustatud jahutusõhu hajutiga. Puhastage jahutusõhu hajutit regulaarselt.

Piirkondades, kus ümbritsevas õhus on suures koguses peent tolmu, on soovitatav varustada masin valikulise jahutusõhu filtri kassetiga, et hoida ära tolmu ladestumine õhukanalitesse ja mootorisse. Võtke ühendust oma kohaliku müügiesindajaga.

ETTEVAATUST!

Kui jahutusõhu filter on tolmuga ummistunud, võib aktiveerida ülekoormuse kaitse lüliti.

1. Sellisel juhul lülitage masin välja, puhastage jahutusõhu filter ja laske masinal jahtuda umbes 5 minutit.

3.6 Märg kogumine**ETTEVAATUST!**

Masin on varustatud veetaseme piiramise süsteemiga, mis lülitab masina maksimaalse vedeliku taseme saavutamisel välja.

1. Sellisel juhul lülitage masin välja.
2. Ühendage masin pistikupesast lahti ja tühjendage mahuti.
3. Ärge kunagi koguge vedelikku, kui veetaseme piiramise süsteem ja filter ei ole paigas.
4. Ärge koguge tuleohtlikke vedelikke.
5. Enne vedelike kogumist eemaldage alati filtri-kott/prügikott ja kontrollige, et veetaseme näidik töötab nõuetekohaselt.
6. Kui tekib vaht, tuleb seade koheselt välja lülitada ja paak tühjendada.
7. Puhastage veetaseme piiramise seadet regulaarselt ja kontrollige, kas on märke selle kahjustumisest.

Enne mahuti tühjendamist ühendage masin vooluvõrgust lahti. Ühendage voolik sisselaskeavast lahti, tõmmates selle sealt välja. Vabastage lukustus, tõmmates seda väljapoole, nii et mootorikate vabaneb. Võtke mootorikate mahuti pealt ära. Pärast vedelike kogumist tuleb mahuti ja veetaseme piiramise süsteem alati tühjendada ja puhastada.

Tühjendage mahuti, kallutades seda tahapoole või küljele ning valades vedeliku põrandas asuvasse äravoolu vms.

Pange mootorikate uuesti mahuti peale. Kinnitage mootorikate riividega.

Suur manööverdamine võib kogemata veetaseme piiramise seadme vabastada. Kui see peaks juhtuma, lülitage masin välja ja oodake 3 sekundit seadme uuesti seadistamiseks. Jätkake pärastpoole masinaga töötamist.

3.7 Kuiv kogumine**ETTEVAATUST!**

Keskkonnale ohtlike materjalide kogumine.

Kogutud materjalid võivad olla ohtlikud keskkonnale.

1. Kõrvaldage kogutud mustus vastavalt kehtivatele eeskirjadele.

Kuiva materjali kogumise järgse puhastuse tegemiseks eemaldage kõigepealt elektripistik pistikupesast. Vabastage lukustus, tõmmates seda väljapoole, nii et mootorikate vabaneb. Võtke mootorikate mahuti pealt ära.

Filter: Kontrollige filtreid. Filtri puhastamiseks võite seda raputada, harjata või pesta. Enne uuesti tolmu kogumisega alustamist oodake kuni filter on kuiv.

Tolmukott: kontrollige koti täitetegurit. Vajadusel vahetage tolmukott välja. Eemaldage vana kott. Uue koti paigaldamiseks pange kummimembraaniga papitükk läbi vaakumsisselaskeava. Veenduge, et kummimembraan läheb vaakumsisselaskeava suurenemast osast mööda.

Pärast tühjendamist: pange mootorikate mahuti peale ja kinnitage see riividega. Kui filtrit ei ole masinasse paigaldatud, ei tohi masinaga kuiva materjali koguda. Masina imemisefektiivsus sõltub filtri ja tolmuoti suurusest ja kvaliteedist. Niisiis kasutage ainult originaalfiltreid ja -tolmukotte.

4 Pärast masina kasutamist**4.1 Pärast kasutamist**

Kui te masinat enam ei kasuta, ühendage see pistikupesast lahti. Kerige juhe kokku, alustades masinast. Elektri juhtme saab kerida mootorikatte ümber või mahuti peale või panna konksu/kinnitite külge. Mõnel mudelil on tarvikute jaoks spetsiaalsed hoiukohad.

4.2 Transportimine

1. Enne masina transportimist sulgege kõik riivid.
2. Kui heitmemahuti on vedelikku, ei tohi masinat kallutada.
3. Ärge tõstke masinat kraanakonksu abil.
4. Ärge tõstke masinat tõstekäepidemest^{*)} või käepide MAK-PAC-Box^{*)}.

4.3 Hoiulepanek**ETTEVAATUST!**

Hoidke masinat kuivas kohas kaitstuna vihma ja jäätumise eest. Masinat tohib hoida ainult siseruumides.

4.4 Tarvikute ja tööriistade hoistamine

Tarvikute või tööriistade mugavaks transportimiseks ja hoistamiseks on masina külje peal rööpad, mis võimaldavad rihmadega või muude vahenditega

^{*)} Valikulised tarvikud / Valikud sõltuvad mudelist
Originaaljuhiste tõlge

Makita VC4210L

kinnitamist. Paindlik rihm või konksud on masina tagaosas imivooliku või elektrijuhtme kinnitamiseks. Juhiste saamiseks vaadake kiirkasutusjuhendit.

Valikulise adapterplaadi^{*)} koos kinnitussüsteemiga saab paigaldada masina peale 2-punkt- või 4-punkt-hoiukastide kinnitamiseks.

Enne adapterplaadi paigaldamist tuleb elektripistik pistikupesast välja võtta.

ETTEVAATUST!*)



Ärge tõstke masinat adapterplaadile ilma et hoiukast oleks ohutult paigaldatud. Hoiustamise korral pange tähele, milline on seadme kaal ja tasakaalustus. Hoiukastide maksimaalne kaal on 30 kg.

4.5 Masina ringlussevõtmine

Muutke vana masin kasutamiskõlbmatuks.

1. Võtke masin vooluvõrgust välja.
2. Lõigake elektrijuhe katki.
3. Ärge kõrvaldage elektriseadmeid koos olmejäätmetega.



Nagu sätestatud direktiivis 2012/19/EL elektri- ja elektroonikaseadmete jäätmete kohta, tuleb kasutatud elektriseadmed eraldi kokku koguda ja keskkonnahoidlikult ümber töödelda.

5 Hooldus

5.1 Regulaarne teenindus ja kontroll

Masina korralist hooldust ja kontrolli peab tegema piisavalt kvalifitseeritud personal vastavalt kehtivatele õigusaktidele ja määrustele. Eriti oluline on maanduse elektriliste testide, isolatsiooni pidavuse ja painduva juhtme seisukorra sagedane kontrollimine.

Mõne vea ilmnemisel TULEB masin kasutusest kõrvaldada ning seda peab terveni kontrollima ning selle parandama volitatud hooldustehnik.

Vähemalt üks kord aastas peab Makitai tehnik või juhised saanud isik tegema tehnilise ülevaotuse, mis hõlmab filtreid, õhukindlust ja kontrollimehhanisme.

5.2 Hooldus

Enne hooldustöid tuleb pistik pistikupesast välja võtta. Enne masina kasutamist veenduge, et andmeplaadil olev sagedus ja pinge vastavad kohalikule vooluvõrgule.

Masin on mõeldud pidevaks raskeks tööks. Sõltuvalt töötundidest tuleb tolmufiltrit uuendada. Puhastage masinat kuiva lapiga ja vähese pihustatava puhastusvahendiga.

Hooldamise ja puhastamise ajal tuleb masinat käsitseja viisil, mis ei ohusta ei hoolduspersonali ega teisi isikuid.

Hoolduspiirkonnas:

- Kasutage kohustuslikku filtreeritud ventilatsiooni
- Kandke kaitseriietust

Puhastage hoolduspiirkonda nii, et ümbrusesse ei satuks kahjulikke aineid

Hooldus- ja remonditööde ajal tuleb kõik saastunud osad, mida ei olnud võimalik piisavalt hästi puhastada,:

- Pakendada hästi suletud kottidesse
- Kõrvaldada viisil, mis vastab kehtivatele vastavate jäätmete kõrvaldamise eeskirjadele.

Müügijärgse teeninduse kohta täpsema teabe saamiseks pöörduge oma edasimüüja või teie asukohariigis vastutava Makitai hoolduskeskuse poole. Kontaktid leiate käesoleva juhendi tagaküljelt.

6 Lisateave

6.1 ELi vastavusdeklaratsioon

Käesolevaga kinnitame, et allpool kirjeldatud seade vastab meie poolt turule toodud mudelina oma kontseptsioonilt ja konstruktsioonilt EÜ direktiivide asjakohastele põhilistele ohutus- ja tervisekaitseõetetele. Meiega kooskõlastamata muudatuste tegemise korral seadme juures kaotab käesolev deklaratsioon kehtivuse.

Toode: Tolmuimeja märg- ja kuivkoristuseks
Tüüp: VC4210L

Asjakohased EÜ direktiivid:
2006/42/EÜ, 2014/30/EL, 2011/65/EL

Kohaldatud ühtlustatud standardid:
EN 60335-1:2012+A11:2014
EN 60335-2-69:2012
EN 55014-1:2006+A1:2009+A2:2011
EN 55014-2:1997+A1:2001+A2:2008
EN 61000-3-2:2014
EN 61000-3-3:2013
EN 50581:2012

Dokumentatsiooni eest vastutav isik:
Makita Europe N.V., Jan-Baptist Vinkstraat 2,
3070 Kortenberg, Belgium

02.01.2017

Yasushi Fukaya, Director
Makita Europe N.V., Jan-Baptist Vinkstraat 2,
3070 Kortenberg, Belgium

6.2 Tehnilised andmed

Makita VC4210L						
	EU / FR / RU	AU / NZ	CH	GB	CA / US / MX	
Võrgupinge	220-240	220-240	220-240	220-240	110-120	
Võrgusagedus		50/60			50/60	
Võimsustarve		1200			890 / 7,4 A	
Pistikupesava võimsus	2400	1100	1100	1700	550 / 4,6 A	
Võimsustarve	3600	2300	2300	2900	1440 / 12 A	
Võrgukaitsese	16	10		13	15	
Õhuvoolu tugevus maks.		4500 (270)			4200 (252)	
Alarõhk		250 (250)			230 (230)	
Helirõhu tase (IEC 60335-2-69)			62 ±2			
Müratase			60 ±2			
Kätele vibratsiooniga			<2,5			
Toitejuhtme pikkus			7,5			
Toitejuhtme tüüp	H07RN-F 3G1,5 mm ²	H05RN-F 3G1,00 mm ²		H07RN-F 3G1,5 mm ²	SJTW-A 3AWG16	
Kaitseklass			I			
Kaitse liik			IPX4			
Raadiohäirete kõrvaldamise aste			EN 55014-1			
Toimuklass			L			
Prügimahuti maht	I (UKgal)		42 (9,2)			
Laius	mm (in)		385 (15,2)			
Sügavus	mm (in)		575 (22,6)			
Kõrgus	mm (in)		605 (23,8)			
Kaal koos tarvikud (net, kõige levinum taotlus)	kg (lb)		16,0 (35,3)			

* mõõdetud turbiinis
Tootja jätab endale õiguse muuta tehnilisi andmeid ja üksikasju sellest ette teatamata.

Ātrās uzziņas rokasgrāmata

Satura rādītājs

Vadības elementi

- 1 Šļūtenes āķis
- 2 Rokturis
- 3 Piederuma pozīcijas
- 4 Ātruma regulators
- 5 Slēdzis
- 6 Vadāmais ritenis
- 7 Tvertne
- 8 Ieplūdes stiprinājums
- 9 Aizbīdnis
- 10 Ierīces kontaktligzda

Ilustratīva ātrās uzziņas rokasgrāmata

Ilustratīvā ātrās uzziņas rokasgrāmata ir paredzēta, lai palīdzētu jums darba sākšanā, ierīces ekspluatācijā un uzglabāšanā. Rokasgrāmata ir sadalīta 4 nodaļās, kas apzīmētas ar simboliem:

A



Pirms darba sākšanas

PIRMS LIETOŠANAS IZLASIET NORĀDĪJUMUS PAR EKSPLUATĀCIJU!

- A1** - Piederumu izpakošana
- A2** - Filtra maisiņa uzstādīšana
- A3** - Atkritumu maisiņa uzstādīšana
- A4** - Šļūtenes ievietošana un darbības
- A5** - Piederumu izvietojums
- A6** - Adaptera plātnes uzstādīšana
- A7** - Ratiņu roktura uzstādīšana

B



Darbības vadīšana/lietošana

- B1** - AutoClean filtru tīrīšanas sistēma
- B2** - Kabeļa un šļūtenes uzglabāšana

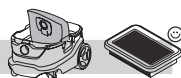
C



Elektroierīču pievienošana

- C1** - Elektroinstrumenta pielāgošana

D



Apkope

- D1** - Filtra maisiņa nomaiņa
- D2** - Atkritumu maisiņa nomaiņa
- D3** - Filtra nomaiņa
- D4** - Motora dzesēšanas gaisa atputeļotāja tīrīšana
- D5** - Blīvju un pludiņa tīrīšana

1 Drošības instrukcijas 201

- 1.1 Norādījumu apzīmēšanā izmantotie simboli 201
- 1.2 Lietošanas instrukcijas 201
- 1.3 Mērķis un paredzētais lietojums 201
- 1.4 Strāvas avota pievienošana 201
- 1.5 Pagarinātāja vads 202
- 1.6 Garantija 202
- 1.7 Svarīgi brīdinājumi 202

2 Riski 203

- 2.1 Elektriskie komponenti 203
- 2.2 Bīstami putekļi 203
- 2.3 Rezerves daļas un piederumi 203
- 2.4 Sprādzienbīstamā vai ugunsnedrošā vidē 203

3 Darbības vadīšana/lietošana 203

- 3.1 Iekārtas iedarbināšana un darbs ar to 203
- 3.2 Automātiskās iesl./izsl. kontaktligzda elektroinstrumentiem 204
- 3.3 AutoClean 204
- 3.4 Antistatiskais savienojums^{*)} 204
- 3.5 Dzesēšanas gaisa filtrs 204
- 3.6 Mitrā uzsūkšana 205
- 3.7 Sausā uzsūkšana 205

4 Pēc iekārtas lietošanas 205

- 4.1 Pēc lietošanas 205
- 4.2 Transportēšana 205
- 4.3 Uzglabāšana 205
- 4.4 Piederumu un instrumentu uzglabāšana... 205
- 4.5 Iekārtas otreizēja pārstrādāšana 206

5 Apkope 206

- 5.1 Regulāra apkalpošana un apskate 206
- 5.2 Apkope 206

6 Papildinformācija 206

- 6.1 ES atbilstības deklarācija 206
- 6.2 Specifikācijas 207

1 Drošības instrukcijas



Šis dokuments kopā ar ātrās uzziņas rokasgrāmatu ietver informāciju, kas nepieciešama ierīces drošai izmantošanai. Pirms augstspiediena mazgātāja pirmās ieslēgšanas rūpīgi iepazīstieties ar šo ekspluatācijas rokasgrāmatu. Saglabājiet norādījumus turpmākai uzziņai.

Turpmāks atbalsts

Plašāka informācija par ierīci ir atrodama mūsu tīmekļa vietnē www.makita.com.

Plašāku jautājumu gadījumā, lūdzu, sazinieties ar jūsu valstī atbildīgo Makita servisa pārstāvi.

Skatiet šī dokumenta otru pusi.

1.1 Norādījumu apzīmēšanā izmantotie simboli

BĪSTAMI!



Apdraudējums, kas var izraisīt smagas vai neatgriezeniskas fiziskas traumas vai pat nāvi.

BRĪDINĀJUMS



Apdraudējums, kas var izraisīt smagas fiziskas traumas vai pat nāvi.

UZMANĪBU!



Apdraudējums, kas var radīt mazākas fiziskas traumas un zaudējumus.

1.2 Lietošanas instrukcijas

Iekārtu drīkst:

- izmantot tikai personas, kuras ir apmācītas tās pareizā lietošanā, un īpaši nozīmētas personas, kuras pārzina tās darbību,
- drīkst ekspluatēt tikai uzraudzībā

Šīs iekārtas izmantošana nav paredzēta personām (tajā skaitā bērniem) ar pavājinātām fiziskajām, sensorajām vai garīgajām spējām vai bez pieredzes un zināšanām.

Bērni ir jāuzrauga, lai nodrošinātu, ka viņi nerotaļājas ar iekārtu.

Neizmantojiet nedrošas darba metodes.

Nekad nelietojiet ierīci bez filtra.

Izslēdziet ierīci un atvienojiet elektrotīkla kontaktakšu šādos gadījumos:

- Pirms tīrīšanas un apkopes veikšanas
- Pirms sastāvdaļu nomaiņas
- Pirms ierīces nomaiņas pret citu

- Ja izdalās putas vai šķidrums

Neskaitot izmantošanas valstī spēkā esošās lietošanas instrukcijas un ar tām saistītos nelaimes gadījumu novēršanas noteikumus, ievērojiet arī vispārztītos drošības un pareizas lietošanas noteikumus.

Pirms darba sākšanas apkalpojošais personāls ir jāinformē un jāapmāca:

- iekārtas lietojums
- ar uzsūcamo materiālu saistītie riski
- uzsūktā materiāla droša likvidēšana

1.3 Mērķis un paredzētais lietojums

Šis mobilais putekļu sūcējventilators ir projektēts, izstrādāts un rūpīgi pārbaudīts, lai darbotos efektīvi un droši, ja tiek pareizi uzturēts un izmantots saskaņā ar turpmāk minētajām instrukcijām.

Iekārta ir piemērota rūpnieciskam lietojumam, piem., ražotnēs, būvlaukumos un darbnīcās.

Šī iekārta ir paredzēta komercijai, piemēram, viesnīcās, skolās, slimnīcās, rūpnīcās, veikalos, birojos un nomātās uzņēmējdarbības telpās.

Negadījumus, kas radušies nepareizas lietošanas dēļ, var novērst vienīgi iekārtas lietotāji.

IZLASIET UN IEVĒROJIET VISAS DROŠĪBAS INSTRUKCIJAS.

Šī iekārta ir piemērota sausu, neuzliesmojošu putekļu un šķidrums uzsūkšanai.

Jebkāds cits lietojums ir uzskatāms par neatbilstošu lietojumu. Ražotājs neuzņemas nekādu atbildību par zaudējumiem, kas radušies šāda lietojuma dēļ. Šāda lietojuma risku uzņemas tikai un vienīgi pats lietotājs. Atbilstošs lietojums ietver pareizu ekspluatāciju, apkopi un remontu, kā norādījis ražotājs.

Šī iekārta ir piemērota sausu, neuzliesmojošu putekļu un šķidrums, kā arī bīstamo putekļu OEL vērtība (arodniecības robežvērtība) > 1 mg/m³ uzsūkšanai. Putekļu klase L (IEC 60335-2-69).



Iekārtām, kas paredzētas putekļu klasei L, filtra materiāls tiek testēts. Maksimālā caurlaidības pakāpe ir 1 %, un uz likvidēšanu neattiecas nekādas īpašas prasības.

Ja izplūdes gaiss tiek atkal izvadīts telpā, putekļu sūcējventilatoriem jānodrošina atbilstošs gaisa apmaiņas ātrums L. Pirms lietošanas jāiepazīstas ar valstī spēkā esošajiem noteikumiem un tie jāievēro.

1.4 Strāvas avota pievienošana

Iekārtu ieteicams pievienot strāvas avotam caur paliekošās strāvas automātslēdzi.

Izkārtojiet elektriskās daļas (ligzdas, kontaktdakšas un savienojumus) un aprēķiniet pagarinātāja vada parametrus, lai tiktu saglabāta aizsardzības klase.

Elektrības vadu savienotājiem un savienojumiem, kā arī pagarinātājiem jābūt ūdensdrošiem.

1.5 Pagarinātāja vads

Kā pagarinātāja vadu izmantojiet tikai ražotāja noteikto vai kādu no augstākās kvalitātes versijām.

Izmantojot pagarinātāju, pārbaudiet kabeļa minimālos šķērsgriezumus:

Kabeļa garums	Šķērsgriezums	
	< 16 A	< 25 A
līdz 20 m	1,5 mm ²	2,5 mm ²
no 20 līdz 50 m	2,5 mm ²	4,0 mm ²


1.6 Garantija

Mūsu vispārīgie uzņēmējdarbības nosacījumi tiek piemēroti attiecībā uz garantiju.

Neatļauta ierīces pārveidošana, neatbilstošu suku lietošana, kā arī ierīces izmantošana lietojumam, kam tā nav paredzēta, atbrīvo ražotāju no jebkādas atbildības par izrietošajiem bojājumiem/zaudējumiem.

1.7 Svarīgi brīdinājumi

BRĪDINĀJUMS

 Lai mazinātu ugunsgrēka, elektriskā trieciena vai fiziskas traumas risku, pirms lietošanas, lūdzu, izlasiet un izpildiet visus norādījumus par drošību un brīdinājuma marķējumus. Šī iekārta ir konstruēta kā droša ierīce, ja to lieto tīrīšanas funkcijām, kā norādīts. Elektriskās vai mehāniskās daļas bojājuma gadījumā pirms turpmākas lietošanas iekārta un/vai piederums jānodod remontam kompetentā servisa centrā vai ražotājam, lai nepieļautu iekārtas turpmāku bojāšanu vai fiziskas traumu gūšanu lietotājam.

Neatstājiet iekārtu, kad tā ir pievienota kontaktligzdai. Atvienojiet to no kontaktligzdas, kad tā netiek izmantota, kā arī pirms apkopes veikšanas.

Jāierobežo ierīces izmantošana ārpus telpām, to darot tikai retos gadījumos.

Nelietojiet iekārtu ar bojātu kabeli vai kontaktdakšu. Lai atvienotu, satveriet kontaktdakšu, nevis vadu. Nerīkojieties ar kontaktdakšu vai iekārtu ar mitrām rokām. Pirms

atvienošanas no elektrotīkla izslēdziet visus vadības elementus.

Nevelciet vai nepārnēsājiet aiz vada, neizmantojiet vadu kā rokturi, neieveriet vadu durvīs, nevelciet vadu gar asām malām vai stūriem. Nebīdīet iekārtu pāri kabelim. Turiet kabeli atstatu no karstām virsmām.

Turiet matus, vaļīgu apģērbu, pirkstus un visas ķermeņa daļas atstatu no atverēm un darbīgām daļām. Neievietojiet nekādus priekšmetus atverēs un nelietojiet iekārtu, ja kāda tās atvere ir aizsprostota. Uzturiet atveres tīras no putekļiem, plūksnām, matiem un jebkā cita, kas varētu samazināt gaisa plūsmu.

Nelietojiet ārpus telpām zemā temperatūrā.

Nelietojiet uzliesmojošu vai degošu šķidrumu, piemēram, benzīna uzsūkšanai, vai neizmantojiet vietās, kur iespējama tā klātbūtne.

Neuzsūciet neko, kas deg vai dūmo, piemēram, cigaretes, sērkokoņus vai karstus pelnus.

Ievērojiet īpašu piesardzību, veicot tīrīšanu uz kāpnēm.

Nelietojiet bez uzstādītiem filtriem.

Ja iekārta nedarbojas pareizi vai ir nomesta zemē, bojāta, atstāta ārpus telpām vai iekritusi ūdenī, nododiet to apkalpošanas centrā vai izplatītājam.

Ja no iekārtas sūcas putas vai šķidrums, nekavējoties to izslēdziet.

Iekārtu nedrīkst izmantot kā ūdens sūkni. Iekārta ir paredzēta gaisa un ūdens maisījumu uzsūkšanai.

Pievienojiet iekārtu pareizi iezemētam elektrotīklam. Kontaktligzdai un pagarinātāja kabelim jābūt ar aizsargvadu.

Nodrošiniet labu ventilāciju darba vietā.


Neizmantojiet iekārtu kā kāpnis vai pakāpienu. Iekārta var apgāzties un tikt sabojāta. Traumu gūšanas risks.

Iekārtā esošo kontaktligzdu drīkst izmantot tikai instrukcijās norādītajos nolūkos.

2 Riski

2.1 Elektriskie komponenti


BĪSTAMI!

 Iekārtas augšdaļā atrodas elektriskie komponenti, kuros ir spriegums.

Saskare ar komponentiem, kuros ir spriegums, izraisa smagas vai pat nāvējošas traumas.

1. Nekad nešļakstiet ūdeni uz iekārtas augšdaļas.

BĪSTAMI!

 Elektriskais trieciens bojāta elektrotīklam pievienotā vada dēļ.

Pieskaršanās bojātam elektrotīklam pievienotam vadam var izraisīt smagas vai pat nāvējošas traumas.

1. Nebojājiet elektrības vadu (piem., pārbraucot tam pāri, velkot vai saspiežot to).
2. Regulāri pārbaudiet, vai nav bojāts barošanas kabelis un vai tam nav novecošanās pazīmju.
3. Ja elektrokabelis ir bojāts, tas pilnvarotam Makita izplatītājam vai līdzīgi kvalificētai personai, lai izvairītos no apdraudējuma.
4. Operators nekādā gadījumā nedrīkst strāvas padeves vadu aptīt ap pirkstiem vai kādu citu ķermeņa daļu.

2.2 Bīstami putekļi

BRĪDINĀJUMS

 Bīstamie materiāli.

Bīstamu materiālu uzsūkšana var radīt smagas vai pat letālas fiziskas traumas.


1. Ar šo iekārtu nedrīkst uzņemt šādus materiālus:
 - karstus materiālus (degošas cigaretes, karstus pelnus u. tml.);
 - uzliesmojošus, sprādzienbīstamus, agresīvus šķidrums (piem., petro-

leju, šķīdinātājus, skābes, sārmus u. tml.);

- uzliesmojošus, sprādzienbīstamus putekļus (piem., magnija vai alumīnija putekļi u. tml.).

2.3 Rezerves daļas un piederumi

UZMANĪBU!

 Rezerves daļas un piederumi.


Neoriģinālo rezerves daļu, suku un piederumu izmantošana var ietekmēt ierīces drošību un/vai darbību.

1. Izmantojiet tikai oriģinālās Makita rezerves daļas un piederumus. Rezerves daļas, kas var ietekmēt operatora veselību un drošību un/vai iekārtas darbību, ir uzskaitītas turpinājumā:

Apraksts	Pasūtījuma Nr.
Plakanais filtrs PTFE, 1 gab.	W107418351
Filīsa filtra maisiņš, 5 gab.	W107418353
Atkritumu maisiņš, 5 gab.	W107418355
Motora dzesēšanas gaisa filtrs PET, 1 gab.	W107418352


2.4 Sprādzienbīstamā vai ugunsnedrošā vidē

UZMANĪBU!

 Šī iekārta nav piemērota lietojumam sprādzienbīstamā vai ugunsnedrošā vidē vai vietās, kur šādu vidi var radīt gaistoša šķidrums, viegli uzliesmojošas gāzes vai tvaika klātbūtne.

3 Darbības vadīšana/ lietošana

UZMANĪBU!

 Bojājumi nepiemērota elektrotīkla sprieguma dēļ.

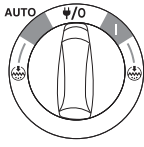


Ierīce var tikt bojāta, ja to pievieno nepiemērotam elektrotīkla spriegumam.

1. Pārļiecinieties, vai tehnisko datu plāksnītē norādītais spriegums atbilst vietējā elektrotīkla spriegumam.

3.1 Iekārtas iedarbināšana un darbs ar to

1. Pārbaudiet, vai elektriskais slēdzis ir izslēgts (pozīcijā 0).

- Pārbaudiet, vai iekārtā ir uzstādīti atbilstošie filtri.
- Pēc tam pievienojiet sūkšanas šļūteni sūkšanas iepļūdei iekārtā, bīdot šļūteni uz priekšu, līdz tā iepļūdes vietā nofiksējas.
- Pēc tam savienojiet caurules ar šļūtenes rokturi; pagroziet caurules, lai pārliecinātos, vai tās uzstādītas pareizi.
- Piestipriniet caurulei atbilstošu sprauslu. Izvēlieties sprauslu atkarībā no uzsūcamā materiāla veida.
- Lietojot putekļu nosūkšanā kopā ar putekļus radošu instrumentu, sūkšanas šļūtenes galu pievienojiet ar atbilstošu adapteri.
- Pievienojiet kontaktdakšu atbilstošā elektrotīkla kontaktligzdā.
- Lai iedarbinātu motoru, pārbīdīet elektroslēdzi pozīcijā I.

	Pozīcija I: Aktivizēt iekārtu
	Pozīcija Ψ/O: Apturēt iekārtu. Pastāvīgs spriegums kontaktligzdā
	Pozīcija AUTO : Aktivizēt automātisko iesl./izsl. darbību
	Pozīcija I +  : Aktivizēt iekārtu ar deaktivizētu automātisko filtru tīrīšanas funkciju
	Pozīcija AUTO +  : aktivizēt automātisko iesl./izsl. darbību ar deaktivizētu automātisko filtru tīrīšanas funkciju
	Ātruma regulēšanas darbība notiek ar atsevišķu pagriežamu kloķi

3.2 Automātiskās iesl./izsl. kontaktligzda elektroinstrumentiem

UZMANĪBU!



Ierīces kontaktligzda.

Ierīces kontaktligzda ir paredzēta elektriskam palīgpārīkojumam; uzziņas skatīt tehniskajos datos.

- Pirms ierīces pieslēgšanas vienmēr izslēdziet iekārtu un ierīci, kura ir jāpievieno.
- Izlasiet pievienojamās ierīces lietošanas instrukciju un ievērojiet tajā ietvertos drošības noteikumus.

Iekārtā ir iebūvēta ierīču kontaktligzda ar zemējuma kontaktu. Tur var pievienot ārēju elektroinstrumentu^{*)}. Kad elektroslēdzis ir pozīcijā Ψ/O, kontaktligzdā ir pastāvīgi ieslēgts spriegums, t. i., iekārtu var izmantot kā pagarinājuma vadu.

Pozīcijā AUTO iekārtu var ieslēgt un izslēgt ar pievienoto elektroinstrumentu. Netīrumi tiek nekavējoties uzsūkti no putekļu avota. Lai ievērotu atbilstību noteikumiem, drīkst pievienot tikai apstiprinātus putekļu radošos instrumentus.

Maksimālais pievienotās elektriskās ierīces strāvas patēriņš ir noteikts sadaļā "Specifikācijas".

Pirms slēdža pagriešanas pozīcijā AUTO nodrošiniet, lai iekārtas kontaktligzdai pievienotais instruments būtu izslēgts.

3.3 AutoClean

Iekārta ir aprīkota ar automātisku filtru tīrīšanas sistēmu AutoClean. Darbības laikā bieži tiks palaists tīrīšanas cikls, kas nodrošinās, lai sūkšanas veiktspēja vienmēr būtu maksimāla.

Ja sūkšanas veiktspēja samazinās vai arī putekļu sūkšana notiek intensīvi, ieteicams veikt manuālu filtru tīrīšanu:

- Izslēdziet iekārtu
- Aizklājiet sprauslas vai sūkšanas šļūtenes atvērumu ar plaukstu.
- Pagrieziet slēdzi pozīcijā „I” un ļaujiet iekārtai darboties pilnā ātrumā aptuveni 10 sekundes ar aizvērtu sūkšanas šļūtenes atvērumu.

Ja sūkšanas jauda joprojām ir samazināta, izņemiet filtru un iztīriet mehāniski vai arī nomainiet filtru.

Noteiktos pielietojumos, piemēram, uzsūcot šķidrumus, ieteicams izslēgt automātisko filtru tīrīšanas sistēmu. Plašāku informāciju skatiet 3.1. nodaļā.

3.4 Antistatiskais savienojums^{*)}

UZMANĪBU!



Iekārta ir aprīkota ar antistatisku sistēmu, kas izlādē visu statisko elektrību, kas var veidoties putekļu uzsūkšanas laikā.

Antistatiskā sistēma atrodas motora augšdaļas priekšpusē un veido zemējuma savienojumu ar tvertnes iepļūdes stiprinājumu.

Lai funkcija darbotos pareizi, ieteicams lietot elektrību vadošu vai antistatisku sūkšanas šļūteni.

- Ievietojot izvēles atkritumu maisiņu, nodrošiniet, lai antistatiskais savienojums tiktu saglabāts.


3.5 Dzesēšanas gaisa filtrs

Lai aizsargātu elektroniku un motoru, iekārta ir aprīkota ar dzesēšanas gaisa atputekļotāju. Dzesēšanas gaisa atputekļotājs ir regulāri jātīra.

Zonās, kur apkārtējā gaisā ir liela smalku putekļu koncentrācija, ieteicams aprīkot iekārtu ar izvēles dzesēšanas gaisa filtra kārtidžu, kas nepieļauj pu-


tekļu nosēšanas gaisa kanālu un motora iekšpusē. Sazinieties ar savu vietējo tirdzniecības pārstāvi.

UZMANĪBU!

 Ja dzesēšanas gaisa filtru aizsprostojuši putekļi, var aktivizēt motorā esošo aizsargslēdzi pret pārslodzi. Tādā gadījumā izslēdziet iekārtu, iztīriet dzesēšanas gaisa filtru un ļaujiet iekārtai aptuveni 5 minūtes atdzist.

3.6 Mitrā uzsūkšana

UZMANĪBU!

 Iekārta ir aprīkota ar ūdens robežlīmeņa sistēmu, kas izslēdz iekārtu, kad sasniegts maksimālais šķidruma līmenis.

1. Kad tā notiek, izslēdziet iekārtu.
2. Atvienojiet iekārtu no kontaktligzdas un iztukšojiet tvertni.
3. Nekad neuzsūciet šķidrumus, ja iekārtā nav ūdens robežlīmeņa sistēmas vai filtra.
4. Neuzsūciet degošus šķidrumus
5. Pirms šķidrumu uzsūkšanas vienmēr izņemiet filtra maisiņu/atkritumu maisiņu un pārbaudiet, vai ūdens līmeņa ierobežotājs darbojas pareizi.
6. Ja parādās putas, nekavējoties pārtrauciet darbu un iztukšojiet tvertni.
7. Regulāri pārbaudiet ūdens līmeņa ierobežojošo ierīci un pārbaudiet, vai nav bojājumu.

Pirms tvertnes iztukšošanas atvienojiet iekārtu no elektrotīkla. Atvienojiet šļūteni no iepildes, izvelkot šļūteni ārā. Atveriet aizbīdņi, velkot to uz āru, lai atbrīvotu motora augšdaļu. Noceliet motora augšdaļu no tvertnes. Pēc šķidrumu uzsūkšanas vienmēr jāiztukšo un jāiztīra tvertne un ūdens robežlīmeņa sistēma.


Iztukšojiet, paliecot tvertni atpakaļ vai uz sāniem, un izlejiet šķidrumu grīdas notekā vai tamlīdzīgā vietā.

Atlieciet atpakaļ motora augšdaļu uz tvertnes. Nostipriniet motora augšpusi ar fiksatoriem.

Intensīvi manevri var kļūdas dēļ aktivizēt ūdens robežlīmeņa ierīces darbību. Ja tā notiek; izslēdziet iekārtu un nogaidiet 3 sekundes, lai pēc tam atiestatītu ierīci. Pēc tam turpiniet darbu ar iekārtu.

3.7 Sausā uzsūkšana

UZMANĪBU!

 Videi bīstamu materiālu uzsūkšana.

Uzsūktie materiāli var radīt draudus videi.

1. Likvidējiet netīrumus atbilstoši likumā paredzētajiem noteikumiem.

Pirms iztukšošanas pēc sausās uzsūkšanas atvienojiet elektrisko kontaktdakšu no kontaktligzdas. Atveriet aizbīdņi, velkot to uz āru, lai atbrīvotu motora augšdaļu. Noceliet motora augšdaļu no tvertnes.

Filtrs: Pārbaudiet filtrus. Lai iztīrītu filtru, to var vai nu nopurināt, vai notīrīt ar suku, vai arī izmazgāt. Pirms putekļu nosūkšanas atsākšanas nogaidiet, līdz filtrs ir izžuvis.

Putekļu maisiņš: Pārbaudiet putekļu maisiņu, lai redzētu tā piepildījumu. Nepieciešamības gadījumā putekļu maisiņš jānomaina. Izņemiet veco maisiņu. Jauno maisiņu uzstāda, izvadot kartona gabalu ar gumijas membrānu caur vakuuma iepiludi. Pārliecinieties, vai gumijas membrāna sniedzas aiz paaugstinājuma vakuuma iepiludē.

Pēc iztukšošanas: aizveriet motora augšdaļu pie tvertnes un nostipriniet motora augšdaļu ar aizbīdņiem. Nekad neuzsūciet sausu materiālu, ja iekārtā nav uzstādīts filtrs. Iekārtas sūkšanas lietderība ir atkarīga no filtra un putekļu maisiņa izmēra un kvalitātes. Tādēļ lietojiet tikai oriģinālo filtru un putekļu maisiņus.

4 Pēc iekārtas lietošanas

4.1 Pēc lietošanas


Kad iekārta netiek lietota, kontaktdakša ir jāizņem no kontaktligzdas. Satiniet kabeli, sākot no iekārtas. Barošanas kabeli var satīt ap motora augšu vai pie tvertnes, vai iekarināt komplektā esošajā āķī vai stiprinājuma elementos. Dažos variantos piederumiem ir īpašas uzglabāšanas vietas.

4.2 Transportēšana

1. Pirms iekārtas transportēšanas aizveriet visus aizbīdņus.
2. Ja netīrumu tvertnē ir šķidrums, nesašķiebiet iekārtu.
3. Nelietojiet celtna āķi iekārtas celšanā.
4. Neceliet iekārtu aiz ratiņu roktura^{*)} vai rokturi MAK-PAC-Box^{*)}.

4.3 Uzglabāšana

UZMANĪBU!

 Uzglabājiet ierīci sausā vietā, aizsargātu pret sala iedarbību. Iekārtu drīkst uzglabāt tikai iekštelpās.

4.4 Piederumu un instrumentu uzglabāšana

Lai piederumus vai instrumentus varētu ērti pārvadāt un uzglabāt, iekārtas sātā ir iestrādātas slīdes, kas sniedz iespēju tos piestiprināt ar siksnām vai citiem stiprināšanas līdzekļiem. Sūkšanas šļūtenes vai

^{*)} Izvēles piederumi / opcija atkarīga no modeļa
Oriģinālās lietošanas pamācības tulkojums

elektrotīkla kabeļa piestiprināšanas nolūkā iekārtas aizmugurē ir iekļauta elastīga saite un āķi. Norādījumus skatiet ātrās uzziņas rokasgrāmatā.

2 punktu vai 4 punktu uzglabāšanas futrāļa stiprināšanas nolūkā iekārtas augšdaļā var uzstādīt izvēles adaptera plātni^{*)} ar piestiprināšanas sistēmu.

Pirms adaptera plātnes uzstādīšanas atvienojiet elektrisko kontaktdakšu no kontaktlīgšanas.

UZMANĪBU!^{*)}



Neceliet iekārtu, izmantojot adaptera plātni, ja uzglabāšanas futrālis nav droši uzstādīts. Uzglabāšanas gadījumā ņemiet vērā ierīces svaru un līdzsvaru. Uzglabāšanas futrāļu maksimālais svars ir 30 kg.

4.5 Iekārtas otrreizēja pārstrādāšana

Novērsiet nolietotās iekārtas lietošanas iespēju.

1. Atvienojiet iekārtu no elektrotīkla.
2. Nogrieziet strāvas vadu.
3. Neizmetiet elektroierīces kopā ar sadzīves atkritumiem.



Kā norādīts Eiropas Kopienas direktīvā 2012/19/ES par elektrisko un elektronisko iekārtu atkritumiem, nolietotās elektroierīces ir jāsavāc atsevišķi un jāpārstrādā ekoloģiskā veidā.

5 Apkope

5.1 Regulāra apkalpošana un apskate

Regulāra jūsu iekārtas apkope un pārbaude jāveic attiecīgi kvalificētam personālam saskaņā ar saistītajiem normatīvajiem aktiem un noteikumiem. It īpaši bieži jāveic elektriskās pārbaudes attiecībā uz zemējuma nepārtrauktību, izolācijas pretestību un lokanā vada stāvokli.

Jebkāda defekta gadījumā JĀPĀRTRAUC iekārtas izmantošana, pilnībā jāpārbauda un jāremontē pilnvarotam servisa tehniķim.

Vismaz reizi gadā Makita mehāniķim vai apmācītai personai ir jāveic tehniskā pārbaude, kas ietver filtru, hermētiskuma un kontroles mehānismu pārbaudi.

5.2 Apkope

Pirms apkopes veikšanas atvienojiet kontaktdakšu no kontaktlīgšanas. Pirms iekārtas lietošanas pārliecinieties, vai tehnisko datu plāksnītē norādītā frekvence un spriegums atbilst elektrotīkla spriegumam.

Iekārta ir paredzēta nepārtrauktam intensīvam darbam. Atkarībā no darba stundu skaita putekļu filtrs ir jāatjauno. Uzturiet iekārtu tīru ar sausu drānu un nelielu daudzumu izsmidzināma pulēšanas līdzekļa.

Apkopes un tīrīšanas laikā rīkojieties ar iekārtu tā, lai nepakļautu riskam apkalpojošo personālu vai citus cilvēkus.

Apkopes zonā

- Lietojiet filtrētu obligāto ventilāciju
- Valkājiet aizsargapģērbu
- Tīriet apkopes zonu tā, lai apkārtnē neiekļūtu kaitīgas vielas.

Apkopes un remontdarbu laikā visas piesārņotās detaļas, ko nav iespējams apmierinoši notīrīt:

- Jāiesaiņo labi noslēdzamos maisos
- Jālikvidē veidā, kas atbilst spēkā esošajiem noteikumiem attiecībā uz šāda veida atkritumu likvidēšanu

Lai saņemtu plašāku informāciju par pēcpārdošanas apkalpošanu, sazinieties ar savu izplatītāju vai jūsu valstī atbildīgo Makita servisa pārstāvi. Skatiet šī dokumenta otru pusī.

6 Papildinformācija

6.1 ES atbilstības deklarācija

Ar šo mēs paziņojam, ka turpmāk minētā iekārta, pamatojoties uz tās konstrukciju un izgatavošanas veidu, kā arī mūsu apgrozībā laistajā izpildījumā atbilst ES direktīvu attiecīgajām galvenajām drošības un veselības aizsardzības prasībām. Iekārtā izdarot ar mums nesaskaņotas izmaiņas, šis paziņojums zaudē savu spēku.

Produkts: Sūcējs sausu un mitru vielu iesūkšanai
Tips: VC4210L

Attiecīgās EK direktīvas:
2006/42/EK, 2014/30/ES, 2011/65/ES

Piemērotās harmonizētās normas:
EN 60335-1:2012+A11:2014
EN 60335-2-69:2012
EN 55014-1:2006+A1:2009+A2:2011
EN 55014-2:1997+A1:2001+A2:2008
EN 61000-3-2:2014
EN 61000-3-3:2013
EN 50581:2012

Par dokumentāciju sastādīšanu atbildīgā persona:
Makita Europe N.V., Jan-Baptist Vinkstraat 2,
3070 Kortenberg, Belgium

02.01.2017
Yasushi Fukaya, Director
Makita Europe N.V., Jan-Baptist Vinkstraat 2,
3070 Kortenberg, Belgium

6.2 Specifikācijas

Makita VC4210L						
	EU / FR / RU	AU / NZ	CH	GB	CA / US / MX	
Tīkla spriegums	220-240	220-240	220-240	220-240	110-120	
Tīkla frekvence		50/60			50/60	
Patērējamā jauda		1200			890 / 7,4 A	
Pieslēguma vērtība ierīces kontaktligzdai	2400	1100	1100	1700	550 / 4,6 A	
Patērējamā jauda	3600	2300	2300	2900	1440 / 12 A	
Tīkla drošinātāji	16	10		13	15	
Gaisa plūsmas max.		4500 (270)			4200 (252)	
Pazemināts spiediens		250 (250)			230 (230)	
Trokšņu spiediena līmenis (IEC 60335-2-69)			62 ±2			
Darba trokšņu līmenis			60 ±2			
Plaukstas un rokas vibrācija			<2,5			
Pieslēguma vada garums			7,5			
Pieslēguma vada tips	H07RN-F 3G1,5 mm ²	H05RN-F 3G1,00 mm ²		H07RN-F 3G1,5 mm ²	SJTW-A 3AWG16	
Aizsardzības klase			I			
Aizsardzības veids			IPX4			
Dzirkstejošanas novēršanas pakāpe			EN 55014-1			
Putekļu klase			L			
Netīrumu tvirtnes ietilpība	I (UKgal)		42 (9,2)			
Platums	mm (in)		385 (15,2)			
Dzīļums	mm (in)		575 (22,6)			
Augstums	mm (in)		605 (23,8)			
Svars ieskaitot piederumi (neto, visbiežāk piemērošana)	kg (lb)		16,0 (35,3)			

* mērot pie turbīnas
Specifikācijas un detaļas var tikt mainītas bez iepriekšēja paziņojuma.

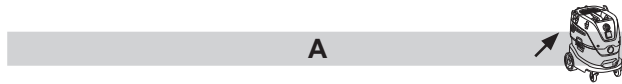
Trumpasis vadovas

Darbo elementai

- 1 Žarnos kablys
- 2 Rankena
- 3 Priedų padėty
- 4 Greičio valdiklis
- 5 Jungiklis
- 6 Ratukas
- 7 Talpykla
- 8 Įsiurbimo angos detalė
- 9 Fiksatorius
- 10 Prietaiso maitinimo lizdas

Iliustruotasis trumpasis vadovas

Iliustruotasis trumpasis vadovas skirtas padėti jums rengiant įrenginį naudoti, jį naudojant ir laikant. Vadovas padalytas į keturias dalis, paženklintas raidėmis:



Prieš darbo pradžia

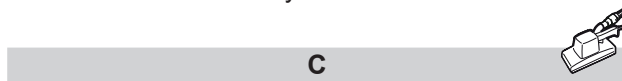
PRIEŠ NAUDODAMI PERSKAITYKITE NAUDOJIMO NURODYMUS!

- A1** – priedų išpakavimas
- A2** – filtro maišo įdėjimas
- A3** – atliekų maišo įdėjimas
- A4** – žarnos prijungimas ir eksploatavimas
- A5** – priedų laikymas
- A6** – adapterio plokštelės montavimas
- A7** – vežimėlio rankenos montavimas



Valdymas ir naudojimas

- B1** – „AutoClean“ filtro valymo sistema
- B2** – laido ir žarnos laikymas



Elektros prietaisų prijungimas

- C1** – variklinio įrankio adaptavimas



Techninė priežiūra

- D1** – filtro maišo keitimas
- D2** – atliekų maišo keitimas
- D3** – filtro keitimas
- D4** – variklio aušinamojo oro sklaidytuvo valymas
- D5** – tarpiklių ir plūdės valymas

Turinys

1 Saugos instrukcijos	209
1.1 Instrukcijų ženklavimo simboliai	209
1.2 Naudojimo instrukcijos	209
1.3 Paskirtis ir numatomasis naudojimas	209
1.4 Elektros jungtys	209
1.5 Ilgintuvas	210
1.6 Garantija	210
1.7 Svarbūs įspėjimai	210
2 Rizika	211
2.1 Elektros įranga	211
2.2 Pavojingos dulkės	211
2.3 Atsarginės dalys ir priedai	211
2.4 Naudojimas sprogioje arba degioje atmosferoje	211
3 Valdymas ir naudojimas	211
3.1 Įrenginio paleidimas ir naudojimas	212
3.2 Automatinio įjungimo ir išjungimo lizdas varikliniams įrankiams	212
3.3 „AutoClean“	212
3.4 Antistatinė jungtis*)	212
3.5 Aušinamojo oro filtras	212
3.6 Skysčių surinkimas	213
3.7 Sausų medžiagų siurbimas	213
4 Baigus darbą su įrenginiu	213
4.1 Baigus darbą	213
4.2 Gabenimas	213
4.3 Laikymas	213
4.4 Priedų ir įrankių laikymas	213
4.5 Įrenginio utilizavimas	214
5 Techninė priežiūra	214
5.1 Periodinė priežiūra ir tikrinimas	214
5.2 Techninė priežiūra	214
6 Papildoma informacija	214
6.1 ES atitikties deklaracija	214
6.2 Techniniai duomenys	215

1 Saugos instrukcijos



Šiame dokumente pateikiamas ne tik trumpasis vadovas, bet ir su įrenginiu susijusi saugos informacija. Prieš pirmą kartą paleisdami plovimo prietaisą, atidžiai perskaitykite šią instrukciją. Išsaugokite instrukciją vėlesniam naudojimui.

Papildoma pagalba

Daugiau informacijos apie įrenginį galima rasti mūsų svetainėje www.makita.com.

Jei turi klausimų, kreipkitės į „Makita“ techninės priežiūros atstovą, atsakingą už klientų aptarnavimą jūsų šalyje.

Žr. šio dokumento užpakalinį viršelį.

1.1 Instrukcijų ženklavimo simboliai

PAVOJUS



Pavojus, dėl kurio įvyksta sunkios arba nepagydomos traumos ar net žūstama.

ĮSPĖJIMAS



Pavojus, dėl kurio galimos sunkios traumos ar net mirtis.

DĖMESIO!



Pavojus, dėl kurio galimos lengvos traumos ir žala turtui.

1.2 Naudojimo instrukcijos

Įrenginį:

- Leidžiama naudoti tik asmenims, kurie buvo instruktuoti, kaip reikia tinkamai su juo dirbti, ir kuriems buvo pavesta atlikti konkrečias užduotis naudojant įrenginį.
- Galima naudoti tik tada, kai naudotoją kas nors prižiūri.

Šis įrenginys neskirtas naudoti asmenims (įskaitant vaikus), kurių fiziniai, jutiminiai ar protiniai sugebėjimai nepakankami arba kuriems nepakanta patirties ir žinių.

Vaikus reikia prižiūrėti, kad jie nežaistų su įrenginiu.

Dirbkite saugiai.

Nenaudokite įrenginio be filtro.

Išjunkite įrenginį ir atjunkite kištuką nuo elektros tinklo toliau nurodomais atvejais:

- Prieš imdamiesi valymo ir techninės priežiūros darbų
- Prieš keisdami komponentus
- Prieš pakeisdami prietaisą

- Jei formuojasi putos arba veržiasi skystis

Be naudojimo instrukcijų ir eksploataavimo šalyje galiojančių nelaimingų atsitikimų prevencijos darbe aktų, laikykitės visuotinai priimtų saugumo ir tinkamo naudojimo reikalavimų.

Prieš pradėdant darbą, operatoriai turi būti informuoti ir apmokyti:

- kaip naudoti įrenginį;
- kokių pavojų kelia medžiagos, kurios bus siurbiamos;
- kaip saugiai pašalinti susiurbtas medžiagas.

1.3 Paskirtis ir numatomasis naudojimas

Šis mobilusis dulkių siurblys yra suprojektuotas, pagamintas ir gerai išbandytas, kad tinkamai prižiūrimas ir naudojamas vadovaujantis tolesnėmis instrukcijomis veiktų efektyviai ir saugiai.

Šis įrenginys tinka pramoniniam naudojimui, pvz., gamyklose, statybvietėse ir dirbtuvėse.

Šis įrenginys skirtas komerciniam naudojimui, pvz., viešbučiuose, mokyklose, ligoninėse, cechuose, parduotuvėse, biuruose ir nuomos punktuose.

Dėl netinkamo naudojimo įvykstantiems nelaimingiems atsitikimams užkirsti kelią gali tik įrenginio naudotojas.

PERSKAITYKITE VISAS SAUGOS INSTRUKCIJAS IR JŲ LAIKYKITĖS.

Šis prietaisas pritaikytas siurbti sausas nedegias dulkes ir skysčius.

Naudojimas bet kuriuo kitu būdu laikomas netinkamu. Gamintojas neprisiima atsakomybės už bet kokią žalą, kylančią dėl tokio naudojimo. Tokio naudojimo riziką prisiima tik pats naudotojas. Tinkamas naudojimas reiškia tinkamą valdymą, priežiūrą ir remontą, kaip nurodyta gamintojo.

Prietaisas pritaikytas siurbti sausas nedegias dulkes ir skysčius, taip pat pavojingas dulkes, kurių PPR vertė (profesinio poveikio riba) > 1 mg/m³. Dulkių klasė L (IEC 60335-2-69).



Įrenginių, skirtų dulkių klasei L, filtrų medžiaga yra išbandyta. Maksimalus pralaidumo laipsnis yra 1 %, o specialių reikalavimų dėl išmetimo nėra.

Kai naudojant dulkių siurblius išpučiamas oras yra grąžinamas į kambarį, užtikrinkite pakankamą oro pakeitimo spartą L. Prieš naudodami susipažinkite su nacionalinių reglamentų reikalavimais.

1.4 Elektros jungtys

Šį įrenginį rekomenduojama prijungti per liekamosios srovės grandinės pertraukiklį.

Išdėstykite elektros įrangą (lizdus, kištukus ir jungtis) ir nutieskite ilgintuvą taip, kad nesumažėtų esama apsaugos klasė.

Maitinimo kabelių ir ilgintuvų jungtys turi būti sandarios.

1.5 Ilgintuvas

Naudokite tik gamintojo nurodytos versijos arba aukštesnės kokybės ilgintuvą.

Jei naudosite ilgintuvą, įsitikinkite, ar laidų skerspjūvio plotas nėra mažesnis už nurodytą minimalią ribą:

Kabelio ilgis	Skerspjūvio plotas	
	< 16 A	< 25 A
iki 20 m	1,5 mm ²	2,5 mm ²
20–50 m	2,5 mm ²	4,0 mm ²


1.6 Garantija

Mūsų bendrosios verslo sąlygos taikomos atsižvelgiant į garantiją.

Jei įrenginys modifikuojamas neturint tam leidimo, naudojami netinkami šepetėliai arba naudojimo būdas neatitinka numatytojo, gamintojas atleidžiamas nuo bet kokios atsakomybės už dėl to susidariusią žalą.

1.7 Svarbūs įspėjimai

ĮSPĖJIMAS

 Kad sumažėtų gaisro, elektros smūgio arba traumų pavojus, prieš naudodami įrenginį perskaitykite visas saugos instrukcijas bei įspėjamas etiketes ir paisykite jose esančių nurodymų. Šis įrenginys sukonstruotas taip, kad siurbiant nurodytais būdais dirbti būtų saugu. Jei sugestų elektrinės arba mechaninės dalys, įrenginį ir (arba) jo priedą leidžiama naudoti tik sutaisius gamykloje arba turinčioje tam teisę dirbtuvėje, antraip kyla pavojus dar labiau sugadinti įrenginį arba susižeisti.

Nepalikite įrenginio, jei jo kištukas neištrauktas iš elektros lizdo. Kai įrenginiu nenaudojate arba ketinate imtis jo techninės priežiūros darbų, ištraukite kištuką iš elektros lizdo.

Prietaisą naudoti lauke galima tik retkarčiais.

Nenaudokite įrenginio, jei netvarkingas jo maitinimo kabelis arba kištukas. Atjungdami nuo elektros lizdo traukite suėmę kištuką, o ne maitinimo kabelį. Nelieskite kištuko arba

įrenginio šlapiomis rankomis. Prieš traukdami kištuką iš elektros lizdo išjunkite visus valdymo įtaisus.

Nevilkite ir neneškite siurblio už maitinimo kabelio, nenaudokite jo kaip rankenos, nepriverkite durimis ir netraukite jo per aštrias briaunas arba kampus. Nevažiuokite įrenginiu per maitinimo laidą. Saugokite maitinimo kabelį nuo įkaitusių paviršių.

Saugokite plaukus, palaidus drabužius, pirštus ir kitas kūno dalis, kad nepakliūtų į įrenginio angas ir judančias dalis. Nekiškite į angas jokių daiktų ir žiūrėkite, kad naudojant įrenginį jo angos nebūtų užkimštos. Prižiūrėkite angas, kad jose nesikauptų dulкės, pūkai, plaukai ir kitos oro srautą mažinančios kliūtys.

Nenaudokite lauke, esant žemai temperatūrai.

Nesiurbkite lengvai užsilepsnojančių arba degių skysčių, pavyzdžiui, benzino, ir nenaudokite įrenginio aplinkoje, kurioje gali būti tokių skysčių.

Nesiurbkite degančių arba rūkstančių šiukšlių, pavyzdžiui, cigarečių, degtukų arba karštų pelenų.

Siurbdami laiptus būkite ypač atsargūs.

Nenaudokite įrenginio, jei jame nėra filtrų.

Jei įrenginys deramai neveikia arba buvo numestas, sugedęs, paliktas lauke arba pazardintas į vandenį, gražinkite jį į techninės priežiūros centrą arba pardavėjui.

Jeigu iš įrenginio išbėga putų ar skysčio, nedelsdami jį išjunkite.

Draudžiama šį įrenginį naudoti vietoje vandens siurblio. Šis įrenginys skirtas siurbti vandens ir oro mišinį.

Junkite įrenginį prie tinkamai įžeminto elektros tinklo. Elektros lizde ir ilgintuve turi būti tinkamai savo funkciją atliekantis apsauginis laidininkas.

Gerai vėdinkite darbo vietą.

Nenaudokite įrenginio vietoje kopėčių ar pakylas. Parvirtęs įrenginys gali būti apgadintas. Kyla pavojus susižeisti.

Įrenginyje esantį lizdą naudokite tik instrukcijose nurodytiems tikslams.

2 Rizika

2.1 Elektros įranga

PAVOJUS



Viršutinėje įrenginio dalyje yra įtampą turinčių komponentų.

Prisilietus prie įtampą turinčių komponentų patiriama sunkių arba net mirtinų traumų.

1. Nepurškite vandens ant viršutinės įrenginio dalies.

PAVOJUS



Netvarkingas maitinimo kabelis kelia elektros smūgio pavojų.

Prisilietus prie netvarkingo maitinimo kabelio kyla pavojus patirti sunkių arba net mirtinų traumų.

1. Nepažeiskite maitinimo kabelio (pvz., jį pervažiuodami, traukdami ar uždėdami ant jo svorį).
2. Periodiškai tikrinkite, ar maitinimo kabelis nepažeistas ir nesusidėvėjęs.
3. Jei maitinimo laidas pažeistas, pavojų išvengsite, jei jį pakeis „Makita“, jo įgaliotas klientų aptarnavimo darbuotojas ar kitas reikiamos kvalifikacijos asmuo.
4. Jokiais būdais negalima vynioti maitinimo kabelio apie pirštus arba kitą įrenginio operatoriaus kūno dalį.

2.2 Pavojingos dulkės

ĮSPĖJIMAS



Pavojingos medžiagos.

Siurbdami pavojingas medžiagas galite sunkiai ar net mirtinai susižaloti.

1. Draudžiama įrenginiu siurbti toliau nurodomas medžiagas:

- įkaitusias medžiagas (degančias cigaretes, karštus pelenus ir pan.)
- degius, sprogius, agresyviai veikiančius skysčius (pvz., benzina, tirpiklius, rūgštis, šarmus ir pan.)
- degias, sprogias dulkes (pvz., magnio arba aliuminio dulkes ir pan.)

2.3 Atsarginės dalys ir priedai

DĖMESIO!



Atsarginės dalys ir priedai.

Naudojant neoriginalias atsargines dalis, šepečius ir priedus, įrenginys gali tapti nesaugus ir (arba) neveikti tinkamai.

1. Naudokite tik „Makita“ tiekiamas originalias atsargines dalis ir priedus. Atsarginės dalys, galinčios turėti įtakos operatoriaus sveikatai bei saugai ir (arba) įrenginio veikimui, yra nurodytos toliau:

Aprašymas	Užsakymo Nr.
Plokščias filtras PTFE, 1 vnt.	W107418351
Veltinio filtro maišas, 5 vnt.	W107418353
Atliekų maišas, 5 vnt.	W107418355
Variklio aušinamojo oro filtras PET, 1 vnt.	W107418352

2.4 Naudojimas sprogyje arba degioje atmosferoje

DĖMESIO!



Įrenginys nepritaikytas naudoti sprogyje ir degioje atmosferoje arba aplinkoje, kurioje tokia atmosfera gali susidaryti dėl joje esančių lakiųjų skysčių, degiųjų dujų arba garų.

3 Valdymas ir naudojimas

DĖMESIO!



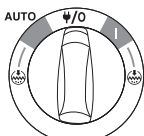



Žalos pavojus dėl netinkamos maitinimo įtampos.

Įrenginys gali sugesti, jei bus prijungtas prie netinkamos įtampos elektros tinklo.

1. Įsitikinkite, kad ant įrenginio plokštelės nurodyta įtampa atitinka elektros tinklo įtampą.

3.1 Įrenginio paleidimas ir naudojimas

1. Patikrinkite, ar išjungtas elektros jungiklis (padėtyje 0).
2. Patikrinkite, ar įrenginyje įtaisyti tinkami filtrai.
3. Prijunkite siurbimo žarną prie įrenginio įvadinės siurbimo jungties – stumkite žarną į priekį, kol ji tvirtai užsifiksuos įvadinėje jungtyje.
4. Prijunkite vamzdžius prie žarnos rankenos – sukite vamzdžius, kad jie tvirtai susijungtų.
5. Ant vamzdžio užmaukite tinkamą antgalį. Pasirinkite antgalį atsižvelgdami į siurbiamos medžiagos tipą.
6. Jeigu naudojate dulkęms siurbti kartu su dulkes keliančiu įrankiu, tuomet prijunkite siurbimo žarnos galą su atitinkamu adapteriu.
7. Įjunkite kištuką į tinkamą elektros lizdą.
8. Varikliui paleisti perjunkite elektros jungiklį į padėtį I.

	Padėtis I: Įrenginys įjungiamas
	Padėtis 0: Įrenginys išjungiamas. Nuolatinis maitinimas iš lizdo
	Padėtis AUTO : suaktyvinama automatinio įjungimo ir išjungimo funkcija
	Padėtis I +  : Įrenginys suaktyvinamas su išjungta automatinio filtro valymo funkcija
	Padėtis AUTO +  : suaktyvinama automatinio įjungimo / išjungimo funkcija su išjungta automatinio filtro valymo funkcija
	Greitis reguliuojamas sukinėjant atskirą rankenėlę

3.2 Automatinio įjungimo ir išjungimo lizdas varikliams įrankiams

DĖMESIO!



Prietaisų maitinimo lizdas.

Prietaisų maitinimo lizdas yra skirtas pagalbinei elektros įrangai; žr. techninius duomenis.

1. Prieš prijungdami prietaisą, iš pradžių visada išjunkite jo ir įrenginio maitinimą.
2. Perskaitykite prijungiamo prietaiso naudojimo instrukciją ir paisykite joje pateikiamų saugos nurodymų.

Įrenginyje įtaisytas maitinimo lizdas su įžeminimo kontaktu. Prie jo galima prijungti išorinį variklinį įrankį. Kai elektros jungiklis yra padėtyje 0, lizdas užtikrina nuolatinį maitinimą, tai yra įrenginį galima naudoti kaip ilginamąjį laidą.

Pasirinkus padėtį AUTO, įrenginį galima įjungti ir išjungti per prijungtąjį variklinį įrankį. Tokiu būdu nedelsiant pradedamos siurbti dulksės jų susidarymo vietoje. Siekiant nenusižengti reglamentams leidžiama prijungti tik patvirtintus įrankius, keliančius dulkes.

Didžiausia prijungiamo elektros prietaiso galia nurodyta skirsnyje „Techniniai duomenys“.

Prieš nustatydami jungiklį į padėtį AUTO įsitikinkite, kad įrankis, prijungtas prie prietaisų lizdo, yra išjungtas.

3.3 „AutoClean“

Įrenginyje įtaisyta automatinė filtro valymo sistema „AutoClean“. Eksploatavimo metu bus automatiškai dažnai paleidžiamas valymo ciklas, kad siurbimo savybės visada išliktų pačios geriausios.

Jeigu siurbimas suprastėja arba dirbama aplinkoje, kurioje dulkių labai daug, rekomenduojama valyti filtrą rankiniu būdu:

1. Išjunkite įrenginį.
2. Delnu uždenkite antgalius arba siurbimo žarnos angą.
3. Pasukite jungiklį į padėtį „I“ ir leiskite įrenginiui visu greičiu veikti maždaug 10 sekundžių, siurbimo žarnos angai tuo metu esant uždengtai.

Jeigu siurbimo galia vis tiek per maža, išimkite filtrą ir išvalykite jį mechaniškai arba pakeiskite nauju.

Atliekant tam tikrus darbus, pavyzdžiui, surenkant drėgnas medžiagas, automatinio filtro valymo sistemą rekomenduojama išjungti. Smulkiau žr. 3.1 skyriuje.

3.4 Antistatinė jungtis^{*)}

DĖMESIO!



Įrenginys turi antistatinę sistemą, skirtą pašalinti statinį elektros krūvį, kuris gali susidaryti surenkant dulkes.

Antistatinė sistema yra įtaisyta variklio gaubto priekinėje dalyje ir sudaro įžeminimo jungtį su talpyklos įsiurbimo angos detale.

Kad įrenginys veiktų tinkamai, rekomenduojama naudoti laidžią elektrai arba antistatinę siurbimo žarną.

1. Įdėdami papildomai užsakomą atliekų maišą užtikrinkite, kad būtų išlaikyta antistatinė jungtis.


3.5 Aušinamojo oro filtras

Elektronikai ir varikliui apsaugoti įrenginyje yra įtaisytas aušinamojo oro sklaidytuvas. Reguliariai valykite aušinamojo oro sklaidytuvą.

Jeigu tenka dirbti zonose, kuriose yra didelė smulkių dulkių koncentracija, rekomenduojama įstatyti į įren-


ginį papildomai užsakomą aušinamojo oro filtro kasetę, kuri neleis dulkėms nusėsti oro latakų ir variklio viduje. Kreipkitės į vietinį pardavimo atstovą.

DĖMESIO!

 Jeigu dulkės užkemša aušinamojo oro filtrą, gali suveikti variklio apsaugos nuo perkrovos jungiklis. Tokiu atveju išjunkite įrenginį, išvalykite aušinamojo oro filtrą ir leiskite įrenginiui atvėsti maždaug 5 minutes.

3.6 Skysčių surinkimas

DĖMESIO!

 Įrenginyje įtaisyta vandens lygio ribojimo sistema, kuri sustabdo įrenginį, kai skystis pasiekia maksimalų lygį.

1. Kai taip nutinka, išjunkite įrenginį.
2. Atjunkite įrenginį nuo lizdo ir ištuštinkite talpyklą.
3. Niekada nesiurbkite skysčių, jeigu neįdėta vandens lygio ribojimo sistema ir filtras.
4. Nesiurbkite degių skysčių.
5. Prieš siurbdami skysčius išimkite filtro (šiukšlių) maišą ir patikrinkite, ar tinkamai veikia vandens lygio ribotuvas.
6. Jei vanduo ima putoti, tuoj pat liaukitės dirbti ir ištuštinkite talpyklą.
7. Reguliariai valykite vandens lygio ribotuvą ir tikrinkite, ar nėra pažeidimo požymių.

Prieš išpildami skystį iš talpyklos, atjunkite įrenginį nuo elektros tinklo. Traukdami žarną atjunkite ją nuo įvadinės jungties. Variklio gaubtui atpalaiduoti atkabinkite fiksatorių traukdami jį į išorę. Atkelkite variklio gaubtą nuo talpyklos. Baigę siurbti skysčius juos išpilkite ir išvalykite talpyklą bei vandens lygio ribojimo sistemą.


Pakreipkite talpyklą atgal arba į šoną ir išpilkite skystį į grindyse įtaisytą nuotekų vamzdį arba panašią sistemą.

Nuleiskite variklio gaubtą ant talpyklos. Pritvirtinkite variklio gaubtą fiksatoriais.

Dėl staigaus manevravimo vandens lygio ribotuvas gali netyčia suveikti. Jeigu taip nutiktų, išjunkite įrenginį ir 3 sekundes palaukite, kad įtaisas būtų nustatytas iš naujo. Paskui tęskite darbą įrenginiu.

3.7 Sausų medžiagų siurbimas

DĖMESIO!

 Aplinkai pavojingų medžiagų siurbimas. Susiurbtos medžiagos gali kelti pavojų aplinkai.

1. Atsikratykite šiukšlių vadovaudamiesi teisiniais reglamentais.

Prieš išpildami susiurbtas sausas šiukšles ištraukite kištuką iš elektros lizdo. Variklio gaubtui atpalaiduoti atkabinkite fiksatorių traukdami jį į išorę. Atkelkite variklio gaubtą nuo talpyklos.

Filtras: Patikrinkite filtrus. Išvalyti filtrą galite kratydami, braukydami šepetėliu arba plaudami. Prieš vėl siurbdami dulkes palaukite, kol filtras išdžius.

Dulkių maišas: tikrinkite maišą – tvarkingame maiše telpa daugiau šiukšlių. Jei reikia, pakeiskite dulkių maišą. Išimkite seną maišą. Naujas maišas įdedamas perkiršant kartoninę jo detalę su gumine membrana per siurbimo jungtį. Įsitikinkite, kad guminė membrana pralenda pro aukštesnę siurbimo jungties vietą.

Po ištuštavimo: nuleiskite variklio gaubtą ant talpyklos ir pritvirtinkite fiksatoriais. Nesiurbkite sausų šiukšlių, jei įrenginyje neįdėtas filtras. Įrenginio siurbimo veiksmingumas priklauso nuo filtro bei dulkių maišo dydžio ir kokybės. Dėl to naudokite originalius filtrus ir dulkių maišus.

4 Baigus darbą su įrenginiu

4.1 Baigus darbą


Kai įrenginio nenaudojate, ištraukite kištuką iš elektros lizdo. Suvyniokite maitinimo kabelį pradėdami nuo įrenginio. Maitinimo kabelį galima apvynioti ant variklio gaubto arba talpyklos arba užkabinti ant specialaus kabliuko ar tvirtinimo detalės. Kai kuriuose modeliuose yra specialių vietų priedams laikyti.

4.2 Gabenimas

1. Prieš gabendami įrenginį, užfiksuokite visus fiksatorius.
2. Nepaverskite įrenginio, jei nešvarumų talpykloje yra skysčių.
3. Nėkelkite įrenginio kraną kabliu.
4. Nėkelkite įrenginio už vežimėlio rankenos^{*)} arba MAKPAC-Box rankena^{*)}.

4.3 Laikymas

DĖMESIO!

 Laikykite įrenginį sausoje vietoje, kurioje nelyja ir nebūna šalčio. Laikykite įrenginį tik patalpoje.

4.4 Priedų ir įrankių laikymas

Kad būtų patogų transportuoti ir laikyti priedus bei įrankius, ant įrenginio šono yra įtaisyti bėgeliai, prie

Makita VC4210L

kurių galima tvirtinti diržais ar kitomis priemonėmis. Įrenginio gale yra lankstus dirželis ir kabliukai, skirti tvirtinti siurbimo žarną arba maitinimo laidą. Instrukcijas žr. greito paleidimo vadove.

Įrenginio viršuje galima sumontuoti papildomai užsakomą adapterio plokštelę^{*)} su tvirtinimo sistema, skirta 2 taškų arba 4 taškų laikymo dėžėms tvirtinti.

Prieš montuodami adapterio plokštelę, ištraukite maitinimo laido kištuką iš elektros lizdo.

DĖMESIO!*)



Nekelkite įrenginio su adapterio plokšte, jeigu laikymo dėžė nėra saugiai pritvirtinta. Jeigu reikia laikyti, įsidėmėkite prietaiso svorį ir pusiausvyrą. Maksimalus laikymo dėžių svoris yra 30 kg.

4.5 Įrenginio utilizavimas

Susidėvėjusio įrenginio nebenaudokite.

1. Atjunkite įrenginio maitinimą.
2. Nukirpkite maitinimo kabelį.
3. Neišmeskite elektros prietaisų kartu su buitinėmis atliekomis.



Kaip nurodyta Europos direktyvoje 2012/19/ES dėl elektros ir elektroninių prietaisų, naudotos elektros prekės turi būti surinktos atskirai ir ekologiškai perdirbtos.

5 Techninė priežiūra

5.1 Periodinė priežiūra ir tikrinimas

Šio įrenginio periodinės techninės priežiūros ir tikrinimo darbus leidžiama atlikti tik tinkamos kvalifikacijos asmenims, besilaikantiems atitinkamų teisės aktų ir reglamentų. Labai svarbu dažnai tikrinti įžeminimo grandinės vientisumą, izoliacijos varžą ir lanksčiojo kabelio būklę.

Aptikus bet kokį trūkumą įrenginį naudoti DRAUDŽIAMA. Būtina pasirūpinti, kad jį išsamiai patikrintų ir sutaisytų įgaliotasis techninės priežiūros specialistas.

Bent kartą per metus „Makita“ technikas arba apmokytas asmuo turi atlikti techninę patikrą, tai yra patikrinti filtrus, valdymo mechanizmus ir ar įrenginys nepraleidžia oro.

5.2 Techninė priežiūra

Prieš imdamiesi techninės priežiūros darbų ištraukite kištuką iš elektros lizdo. Prieš naudodami įrenginį įsitikinkite, kad jo vardinių duomenų plokštelėje nurodytas dažnis ir įtampa atitinka elektros tinklo parametrus.

Įrenginys pritaikytas sunkiam nepertraukiamam darbui. Dulkių filtrą reikia keisti atsižvelgiant į naudojimo trukmę. Įrenginį valykite sausa šluoste, užpurškę šiek tiek poliravimo priemonės.

Įrenginio techninės priežiūros ir valymo darbus dirbkite taip, kad nekiltų grėsmės techninės priežiūros personalui ar kitiems žmonėms.

Techninės priežiūros zonoje

- naudokite priverstinę ventiliaciją su filtrais;
- dėvėkite apsauginius drabužius;
- valykite techninės priežiūros zoną, kad žalingos medžiagos nepatektų į aplinką.

tliekant techninės priežiūros ir remonto darbus, visas užterštas dalis, kurių nepavyksta tinkamai nuvalyti, būtina:

- supakuoti į sandarius maišus;
- išmesti vadovaujantis galiojančiais reglamentais, kurie nustato tokių atliekų šalinimo tvarką.

Norėdami gauti daugiau informacijos apie popardaviminių aptarnavimą, susisiekite su „Makita“ prekybos arba aptarnavimo atstovu, atsakingu už jūsų šalį. Žr. šio dokumento užpakalinį viršelį.

6 Papildoma informacija

6.1 ES atitikties deklaracija

Šiuo pareiškiame, kad toliau aprašyto aparato brėžiniai ir konstrukcija bei mūsų į rinką išleistas modelis atitinka pagrindinius EB direktyvų saugumo ir sveikatos apsaugos reikalavimus. Jei mašinos modelis keičiamas su mumis nepasitarus, ši deklaracija nebegalioja.

Gaminys: Sauso ir drėgno valymo siurblys
Tipas: VC4210L

Specialios EB direktyvos:
2006/42/EB, 2014/30/ES, 2011/65/ES

Taikomi darnieji standartai:

EN 60335-1:2012+A11:2014

EN 60335-2-69:2012

EN 55014-1:2006+A1:2009+A2:2011

EN 55014-2:1997+A1:2001+A2:2008

EN 61000-3-2:2014

EN 61000-3-3:2013

EN 50581:2012

Dokumentaciją tvarkyti įgaliotas asmuo:
Makita Europe N.V., Jan-Baptist Vinkstraat 2,
3070 Kortenberg, Belgium

02.01.2017

Yasushi Fukaya, Director
Makita Europe N.V., Jan-Baptist Vinkstraat 2,
3070 Kortenberg, Belgium

6.2 Techniniai duomenys

Makita VC4210L						
	EU / FR / RU	AU / NZ	CH	GB	CA / US / MX	
Tinklo įtampa	220-240	220-240	220-240	220-240	110-120	
Tinklo dažnis		50/60			50/60	
Naudojamoji galia		1200			890 / 7,4 A	
Prietaiso lizdo naudojamoji galia	2400	1100	1100	1700	550 / 4,6 A	
Naudojamoji galia	3600	2300	2300	2900	1440 / 12 A	
Elektros tinklo saugiklis	16	10		13	15	
Oro debitas maks.		4500 (270)			4200 (252)	
Sumažintas slėgis		250 (250)			230 (230)	
Triukšmo lygis (IEC 60335-2-69)			62 ±2			
Triukšmas veikimo metu			60 ±2			
Rankų ir plaštakų vibracija			<2,5			
Elektros laidas: ilgis			7,5			
Elektros laidas: tipas	H07RN-F 3G1,5 mm ²	H05RN-F 3G1,00 mm ²		H07RN-F 3G1,5 mm ²	SJTW-A 3AWG16	
Apsaugos klasė			I			
Apsaugos rūšis			IPX4			
Radjo imtuvų trukdžių laipsnis			EN 55014-1			
Dulkių klasė			L			
Nešvarumų rezervuaro talpa	I (UKgal)		42 (9,2)			
Plotis	mm (in)		385 (15,2)			
Gylis	mm (in)		575 (22,6)			
Aukštis	mm (in)		605 (23,8)			
Svoris įsk. priedai (grynasis, dažniausiai taikymo)	kg (lb)		16,0 (35,3)			

* matuota ties turbina
Techniniai duomenys ir aprašai keičiami neįspėjus.

Makita Europe N.V., Jan-Baptist Vinkstraat 2, 3070 Kortenberg, Belgium
Makita Corporation Anjo, Aichi, Japan
www.makita.com